

VKCD-1325/IR

Home | Security | Dome Cameras | Fixed

VKCD-1325/IR

1/3" Dome, Fixed, Day&Night, clear, 3.8-9.5mm,

550TVL, IR Illumination, 12V

Art-Nr. 92206



Main Features

For Wall and Ceiling Flush and Surface Mount
Vandal and Tamper-Resistant
Integrated F1.2/3.8-9.5mm Varifocal DC Iris Lens
Externally Adjustable Focus & Zoom
Removable IR Cut Filter
Sensitivity of 0.7Lux at F1.2 (Colour)

Backlight Compensation (BLC) / Flickerless ON/OFF
Automatic White Balance (AWB)
IR Illumination by 25 integral 850nm LEDs
Manual 3-axis Camera Gimbal
Supply Voltage: 12VDC
Ball Eye Size 96mm

Specifications

Video standard	CCIR/PAL
System	day&night
Sensor size	1/3"
Imager	CCD, Sony Super HAD Interline Transfer
Active picture elements	440,000, 752(H) x 582(V)
Signal-to-noise ratio	48dB (AGC OFF)
Sensitivity (at 50% video signal)	0.7Lux at F1.2 (colour); 0.46Lux at F1.2 (B&W)
Horizontal resolution	550 TVL
Rotation range	360°
Digital signal processing (DSP)	Yes
Automatic gain control (AGC)	On/Off switchable
Low Speed Shutter	no
Digital Noise Reduction (DNR)	no

VKCD-1325/IR

(Continuation Specifications)

Flickerless function	On/Off switchable
White balance	automatic
Backlight compensation	no
Wide Dynamic Range (WDR)	no
Aperture Correction (APC)	Horizontal and vertical
IR cut filter	switchable
Video outputs	CVBS, 1Vp-p, CVBS, 75ohms
Lens mount	integrated lens
Lens type	varifocal
Aspherical technology	yes
Focal length	3,8 mm - 9,5 mm
Horizontal angle of view	74,2° - 30°
Iris control	DC
MOD (Minimum object distance)	0,15 m
Focus range	0.15m ~∞
Filter screw size	not available
Illumination	25x IR LED (850nm, 30°). Due to an integrated light sensor the LED illumination will be switched ON/OFF, depending on environmental illumination conditions.
Illumination range	approx. 15m (at a good light reflexion and 40% Videosignal)
Motion Detection Function	no
Cable connection	Video (BNC), 12VDC (DC jack)
Serial interfaces	no
Heater	no
Protection rating	IP65
Supply voltage	12VDC, 10 ~14VDC, 12VDC ±0,5V recommended
Power consumption	8.4watts
Vandalism resistant	yes
Colour (bubble)	clear
Mounting	For wall and drop ceiling mount
Camera fixing	no
Mounting	wall mount, surface mount
Housing	Outdoor
Housing material	Metal
Colour (housing)	dark grey
Dimensions (HxWxD)	See drawing
Weight	880g
Parts supplied	Screw set, Drilling template, Manual
Certificates	CE

Optional accessories

VKCD-1325/IR

92557

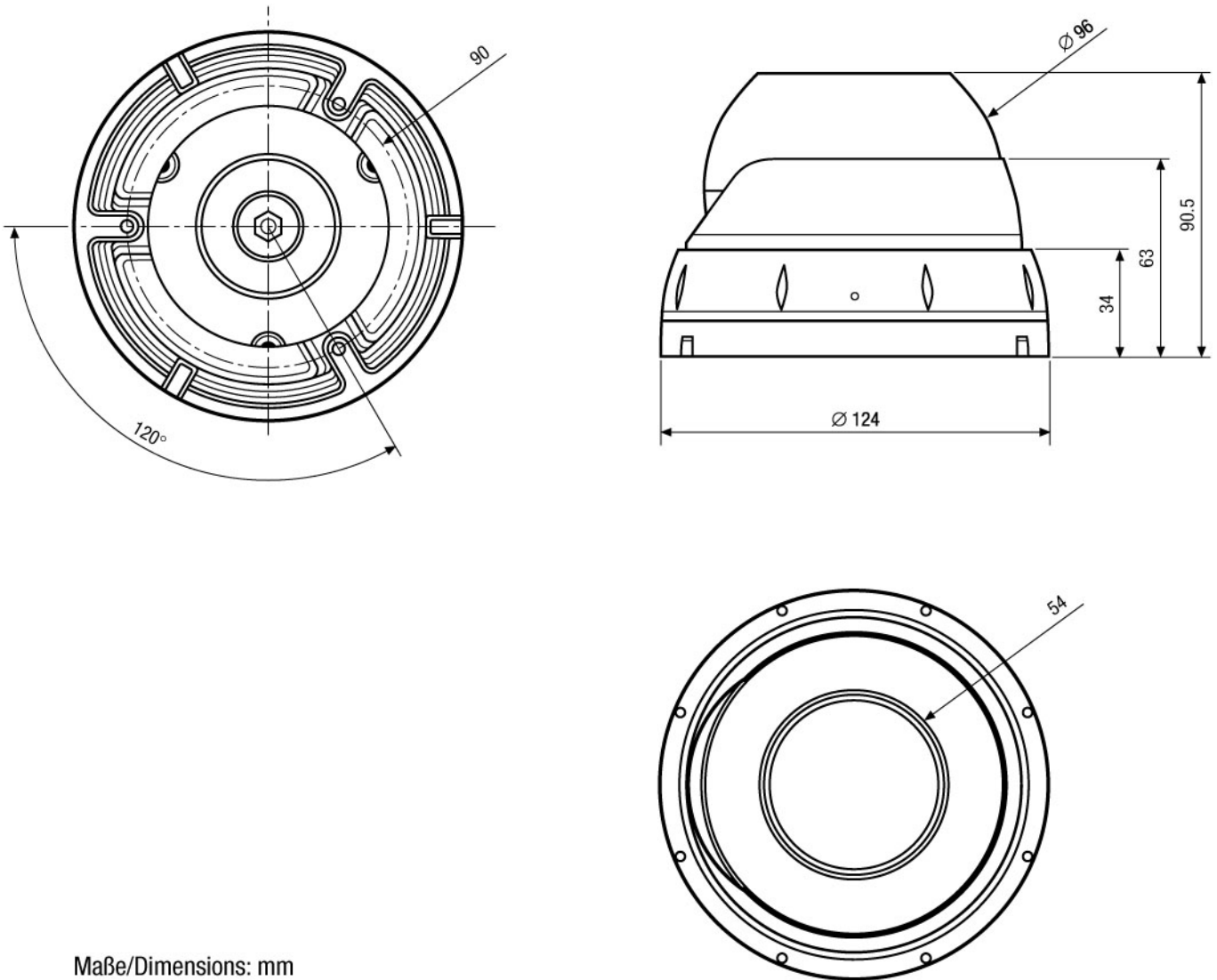
VDOME/WB3

Wall Mount Kit for VKCD-1325/IR

VKCD-1325/IR

Home | Security | Dome Cameras | Fixed

Technical drawing



Maße/Dimensions: mm