



VKCD-1324B/IR

Article-No.: 92751

1/3" Dome, Fixed, Day&Night,
Pixim, clear, 2.8-10mm,
570TVL, IR LED, 12/24V

Mainfeatures

Digital Pixel System (Pixim Seawolf DSP)
Built-in lens F1.2/2.8-10mm with DC iris control
Removable IR cut filter
Adjustable low speed Shutter (DSS)
IR illumination by 35 integral 850nm LEDs
Weatherproof camera / Protection rating: IP66

Wide dynamic range: 102dB, 120dB max.
Sensitivity of 0.4Lux (F1.2 / colour)
Digital noise reduction (DNR)
Motion detection with 4 zones
Surface mounting / Clear bubble
Supply voltage: 12VDC/24VAC

Specifications

System	day&night
Video standard	PAL/NTSC
Sensor size	1/3"
Imager	DPS (Pixim)
Active picture elements	768(H) x 540(V) pixels
Horizontal resolution	570 TVL
Synchronization	Internal/Line-lock
Signal-to-noise ratio	52db (AGC OFF)
Gamma correction	0.45 (configuration via menu from 0.25-1.0)
Sensitivity (at 50% video signal)	0,4 Lux
Sensitivity (at 50% video signal)	(colour), 0.06Lux (B&W) at F1.2 (measured)
Low speed shutter	yes
Low speed shutter	2 ~ 64 Fps., ON /OFF switchable
Digital Noise Reduction (DNR)	yes
Backlight compensation	no
Wide Dynamic Range (WDR)	yes

Specifications (continued)

Wide Dynamic Range (WDR)	102dB typ., 120dB max.
White balance	automatic, manual
Aperture Correction (APC)	horizontal and vertical
IR cut filter	switchable
IR cut filter	motorized, switchable filter. Automatic function depend on the amount of light. Manual switching: see "switching-over colour/b&w". In removed filter position, the colour signal will be switched OFF
Privacy zones masking	6 zones masking, ON/OFF switchable
Menu languages	English
OSD function control	white balance, exposure, iris: DC/manual, DNR, digital zoom, colour intensity, H/V flip (mirror picture), Rotation, motion detection, privacy zones, day&night, sharpness, WDR, PAL/NTSC, freeze
Activity detection	yes
Motion detector	4 zones, ON/OFF switchable
Mirror function	horizontal, vertical, 180° rotation
Digital zoom	2 - 12x, D-PTZ support
Auto exposure	Automatic/Manual Shutter/AGC
Lens type	varifocal
Focal length	2,8 mm - 10 mm
Horizontal angle of view	81,2° - 27°
MOD (Minimum object distance)	0,1 m
Aperture range (F)	F1.2-F250
Iris control	DC
Video outputs	composite (CVBS)
Video outputs	BNC
Alarm inputs	-
Alarm outputs	-
PTZ support	yes
Rotation range	360°
Illumination	infrared
Illumination	35x LEDs 850nm (17x50°, 18x100°), integrated light sensor for On/Off switching of the illumination
External connections	voltage input, video (BNC)
Serial interfaces	no
Serial interfaces protocols	Coaxitron
Housing	aluminium
Housing material	aluminium
Colour (bubble)	clear
Colour (housing)	Pantone Warm Gray 1C
Mounting	wall mount, flush mount, ceiling mount
Supply voltage	12VDC, 24VAC
Supply voltage	(10.5 ~ 30VDC, 12 ~ 29VAC)
Power consumption	10.0watts max.
Temperature range (operation)	-10°C ~ +50°C
Protection rating	IP66
Vandalism resistant	no
Dimensions (HxWxD)	see drawing

Specifications (continued)

Weight	approx. 1.0kg
Parts supplied	dome camera, test monitor cable, bag of screws, Torx key, , manual
Certificates	CE

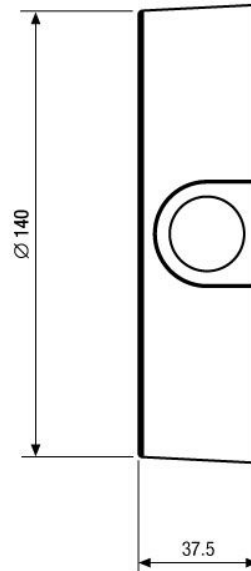
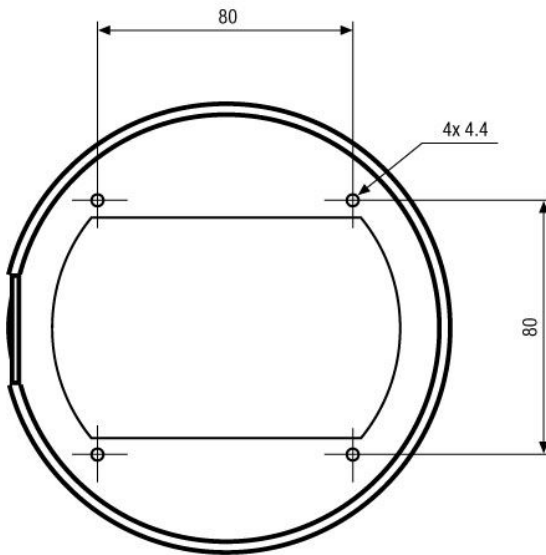
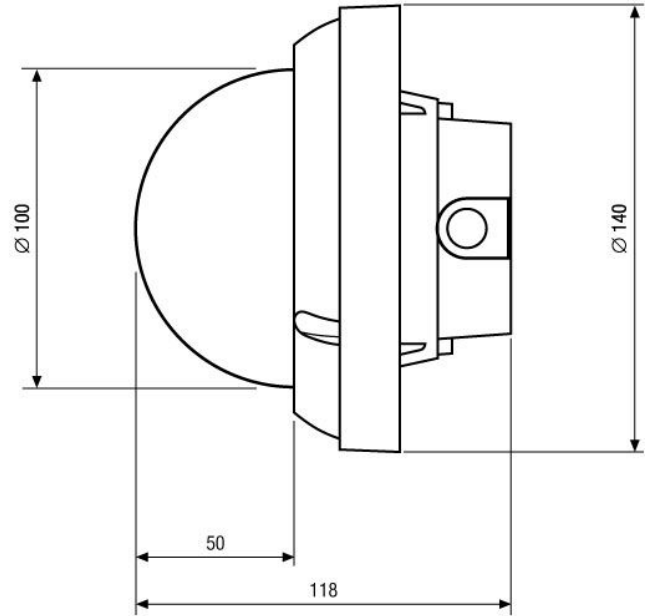
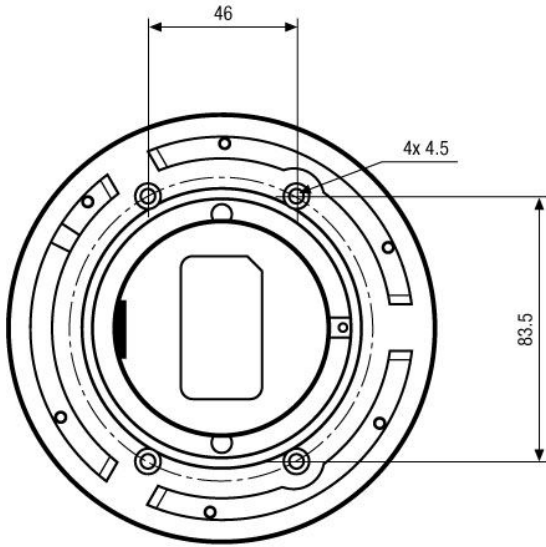
Optional Accessories

Image	Artikel-Nr. / Typ	Description
	IRCAM/WB2	Wall Mount Kit for VKCD-1322 and VKCD-1324/IR
	IRCAM/CB1	Ceiling Mount Kit for VKCD-1322 and VKC-1324/IR
	VT-PS12DCDT1	PSU 12VDC/1.0A, Regulated, Desktop Version, 1.8m Cables each w. open ends
	VT-PS12DC-7	Plugable PSU w. Cont. & UK Mains plug-in 100-240VAC/12VDC-1.25A, Regulated
	NE-132/AC24V	Power Supply Unit 230VAC/24VAC (1.0A)
	3/4" - M25X1.5	Thread Adapter 3/4" - Conduit Connection M25x1.5mm for Dome Surface Mount Housing

Optional Accessories (continued)

Image	Artikel-Nr. / Typ	Description
	VKCD-1324/IR-MC	Spot Monitor Cable for VKCD-1324/IR

Technical Drawing



Maße/Dimensions: mm



Your partner for eneo products:

