

# VKCD-1317FMH/VF

Home | Security | Dome Cameras | Fixed

VKCD-1317FMH/VF

1/3" Dome, Fixed, Day&Night, tinted, 3.8-9.5mm,

550TVL, 12VDC/24VAC, Heater

**Art-Nr. 92096**



## Main Features

For Wall and In-ceiling Mount

Vandal and Tamper-Resistant

Tinted Lexan Bubble 100mm, with Heater

1/3" Board Camera with Super HAD CCD

Integrated F1.2/3.8-9.5mm Varifocal DC Iris Lens

Resolution of 550 Horizontal Lines

Digital Signal Processing (DSP)

Back Light Compensation (BLC)

Automatic White Balance (ATW)

Manual 3-axis Camera Adjustment

For Easy Indoor and Outdoor Installation (IP65)

Supply Voltage 12VDC/24VAC

## Specifications

Video standard	CCIR/PAL
System	day&night
Sensor size	1/3"
Imager	CCD, Sony Super HAD Interline Transfer
Active picture elements	440,000, 752(H) x 582(V)
Synchronization	Internal
Signal-to-noise ratio	48dB
Sensitivity (at 50% video signal)	0.8Lux at colour and F1.2 (Videor measurement result including bubble)
Horizontal resolution	550 TVL
Rotation range	360°
Automatic gain control (AGC)	On/Off switchable
Gamma correction	approx. 0.45
Automatic shutter (AES)	1/50 ~ 1/100.000sec. (not available during Auto Iris ON)

# VKCD-1317FMH/VF

(Continuation Specifications)

Low Speed Shutter	no
Digital Noise Reduction (DNR)	no
Flickerless function	On/Off switchable
White balance (AWB)	Automatic control
Backlight compensation	BLC
Wide Dynamic Range (WDR)	no
Backlight compensation	ON/OFF switchable
Aperture Correction (APC)	Horizontal and vertical
IR cut filter	switchable
Video outputs	CVBS, 1Vp-p, (C)VBS, 75ohms, BNC
Lens mount	integrated lens
Lens type	varifocal
Lens	F1.2/F2.0~360 / 3.8~9.5mm with galvanometer controlled iris
Aspherical technology	yes
Focal length	3,8 mm - 9,5 mm
Horizontal angle of view	65° - 30°
Iris control	DC
MOD (Minimum object distance)	0,15 m
Focus range	0.15m ~∞
Filter screw size	not available
Cable connection	Wiring for video and voltage supply made, accessible from outside
Serial interfaces	no
Temperature range (Operation)	-10° ~+50°C
Heater	24V/10watts (approx. 1/2 heater power at 12V), yes
Temperature range with built-in heater	-20°C ~+50°C
Protection rating	IP65, at installation according to the manual
Supply voltage	12VDC, 24VAC
Power consumption	3.0watts max. (camera only)
Vandalism resistant	yes
Bubble	100mm diameter, Vandal resistant 3mm -tinted- polycarbonate with high resistance
Colour (bubble)	tinted
Camera adjustment	3-axis camera adjustment: 360° horizontal rotation / +-45° tilt rotation, 360° pan rotation
Camera fixing	no
Mounting	flush mount, wall mount
Housing	Outdoor
Housing material	Aluminium
Housing	Die-cast aluminium with tinted polycarbonate bubble
Colour (housing)	Pantone Cool Gray 1C

# VKCD-1317FMH/VF

(Continuation Specifications)

<b>Dimensions (HxWxD)</b>	See drawing
<b>Weight</b>	approx. 840g
<b>Parts supplied</b>	Mounting screw kit, Torx wrench key, Service monitor cable (Cinch plug), Guide pattern, Manual
<b>Certificates</b>	CE

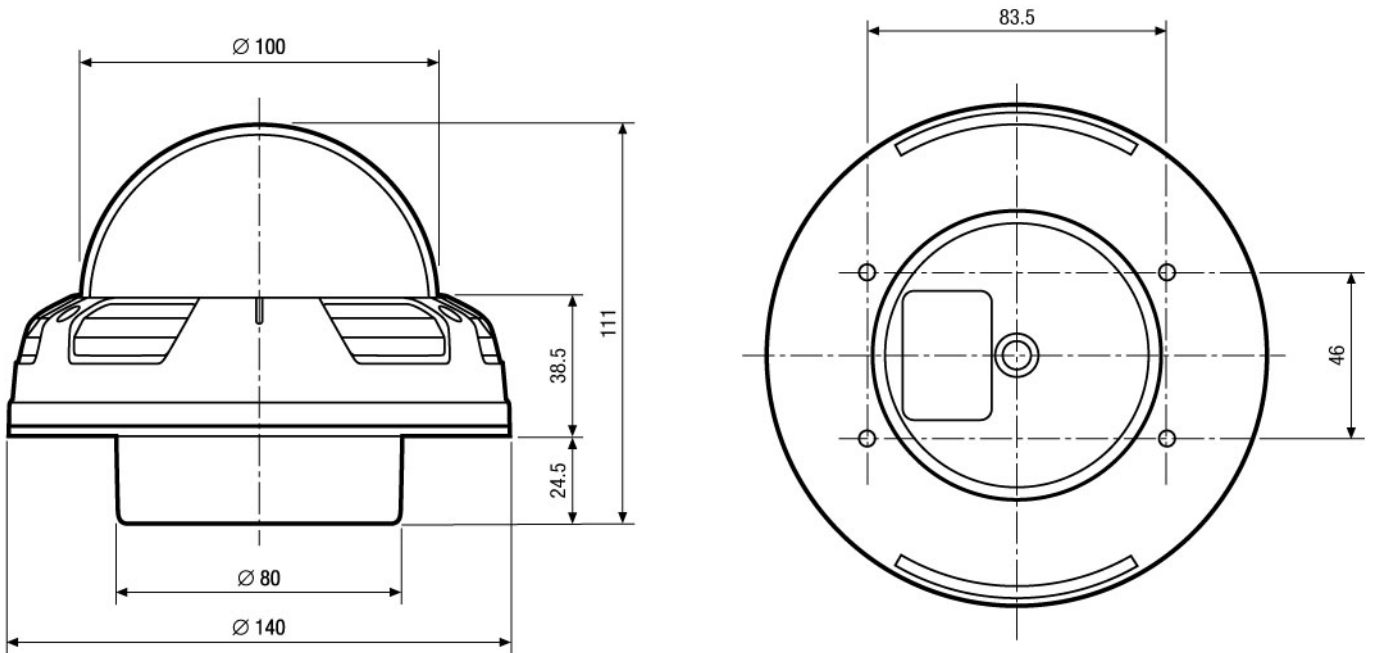
## Optional accessories

<b>70535</b>	<b>VT-PS12DC-8</b>	Plug-in Power Supply Unit 100-240VAC 12VDC (1.0Amp), Regulated, with DC Plug
<b>70495</b>	<b>VT-PS12DC-7</b>	Plugable PSU w. Cont. & UK Mains plug-in 100-240VAC/12VDC-1.25A, Regulated
<b>77773</b>	<b>VT-PS12DCDT1</b>	PSU 12VDC/1.0A, Regulated, Desktop Version, 1.8m Cables each w. open ends
<b>88149</b>	<b>3/4"- M25X1.5</b>	Thread Adapter 3/4"- Conduit Connection M25x1.5mm for Dome Surface Mount Housing

# VKCD-1317FMH/VF

Home | Security | Dome Cameras | Fixed

## Technical drawing



Maße/Dimensions: mm