

Video Security

Dome Cameras | eneo Vandalism-Proof Fix Domes

VKCD-1312SM/MF

1/3" Colour Dome Camera, Surface Mount
with 3.8mm Lens, 12VDC, 380TVL

Art-No. 92052



Features

For Wall and Ceiling Surface Mount
Vandal and Tamper-Resistant
Tinted Lexan Bubble, 100mm
1/3" Colour Board Camera with Super HAD CCD
Integrated Lens F2.0/3.8mm
Resolution of 380 Horizontal Lines

Automatic Shutter Control up to 1:10,000Sec.
Digital Signal Processing (DSP)
Back Light Compensation (BLC)
Automatic White Balance (ATW)
Manual 3-axis Camera Adjustment
For Easy Indoor and Outdoor Installation (IP65)

Specifications

| | |
|-----------------------------------|--|
| Video standard | PAL |
| System | Colour |
| Sensor size | 1/3" |
| Imager | CCD, Sony Super HAD Interline Transfer CCD |
| Active picture elements | approx. 290,000, 500(H) x 582(V) |
| Synchronization | Internal |
| Signal-to-noise ratio | 48dB |
| Sensitivity (at 50% video signal) | 0,3Lux, at F1.2 (VT measurement result including bubble) |
| Horizontal resolution | 380TVL |
| Rotation range | manual: 360° |
| Automatic gain control (AGC) | On/Off switchable |
| Gamma correction | approx. 0.45 |
| Automatic shutter (AES) | 1/50 ~ 1/100.000sec. |
| Integration rate | no |
| Flickerless function | On/Off switchable |
| White balance (AWB) | Automatic control |
| Backlight compensation | BLC, On/Off switchable |
| Aperture Correction (APC) | Horizontal and vertical |

VKCD-1312SM/MF

(Specifications continued)

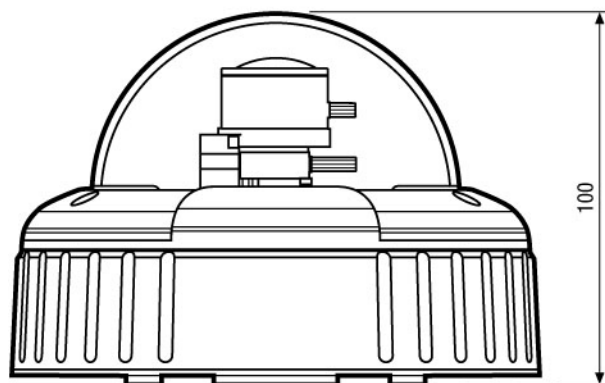
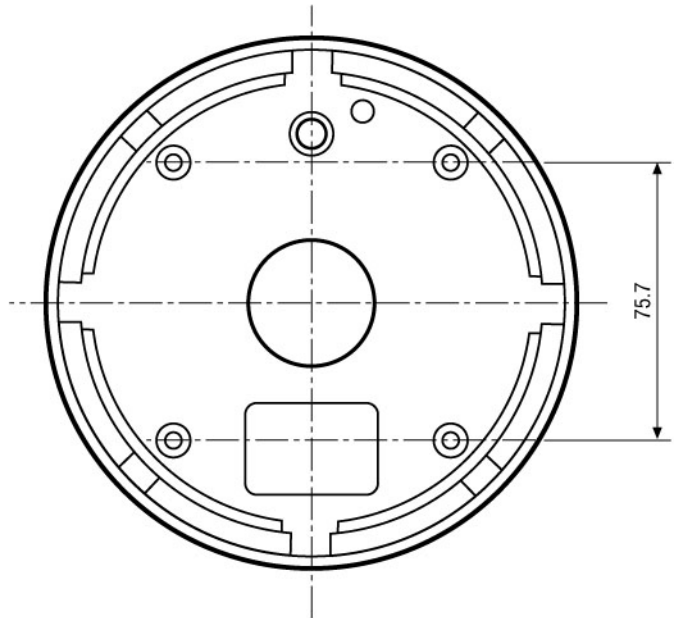
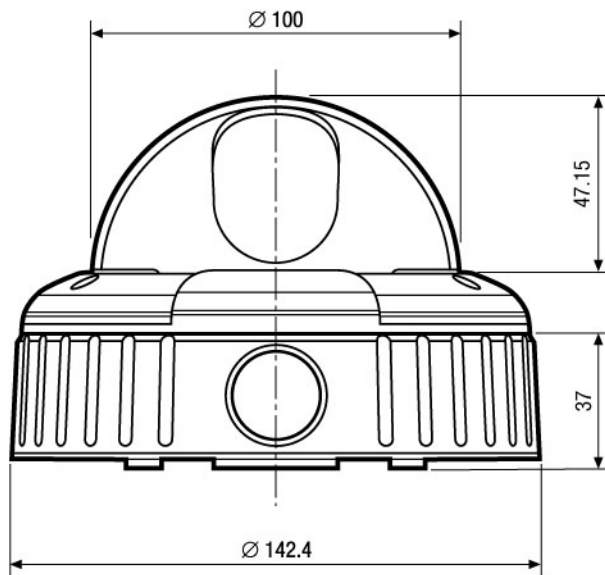
| | |
|--------------------------------------|--|
| IR cut filter | no |
| Video outputs (type) | CVBS |
| Video output | 1Vp-p, CVBS, 75ohms |
| Lens mount | integrated lens |
| Lens type | fixed focal length |
| Lens | F2.0/3.8mm with fixed iris |
| Application range | security |
| Nominal format size | 1/3" |
| Aspherical technology | no |
| Focal length | 3,8mm |
| Horizontal angle of view | 65° |
| Iris control | no |
| Mount | n/a |
| Cable connection | Video (BNC), 12VDC (DC jack) |
| Serial interfaces | no |
| Temperature range (Operation) | -10° ~ +50°C |
| Heater | no |
| Protection rating | IP65, at installation according to the manual |
| Supply voltage | 12VDC, 12VDC (9 ~ 15VDC), 12VDC ±0.5V recommended |
| Power consumption | 3.0watts max. |
| Vandalism resistant | yes |
| Bubble | 100mm diameter, Vandal resistant 3mm -tinted-polycarbonate with high resistance |
| Colour (bubble) | tinted |
| Camera adjustment | 3-axis camera adjustment: 360° horizontal rotation / +-45° tilt rotation, 360° pan rotation |
| Camera fixing | no |
| Mounting | wall mount, surface mount |
| Housing | indoor housing, Die-cast aluminium with tinted polycarbonate bubble |
| Housing material | aluminium |
| Colour (housing) | Pantone Cool Gray 1C |
| Dimensions (HxWxD) | See drawing |
| Weight | 840g |
| Parts supplied | Mounting screw kit, Torx wrench key, Service monitor cable (Cinch plug), Guide pattern, Manual |

Accessories

| | |
|-------------------------------|---|
| 40073 / H02625M | F2.5/2.6mm Board Camera Lens, 1/3", M12X0.5mm |
| 77773 / VT-PS12DCDT1 | PSU 12VDC/1.0A, Regulated, Desktop Version, 1.8m Cables each w. open ends |
| 70447 / VT-PS12DC-5 | Plug-in Power Supply Unit 100-240VAC 12VDC (1.0Amp), Regulated, with DC Plug |
| 88149 / 3/4" - M25X1.5 | Thread Adapter 3/4" - Conduit Connection M25x1.5mm for Dome Surface Mount Housing |

(Accessories continued)

74126 / VDOME/WB1

Wall Mount Kit for Vandalism Resistant Dome Cameras
SM/VF Series

Maße/Dimensions: mm

VIDEOR TECHNICAL E. Hartig GmbH
 Carl-Zeiss-Straße 8 · 63322 Rödermark · Germany
 Telefon +49 (0) 60 74/8 88-0 · Telefax +49 (0) 60 74/8 88-100
 info@videortechnical.com · www.videortechnical.com



VIDEOR TECHNICAL