

Video Security



VKC-148/W1

1/4" Colour Camera with 2.9mm Lens in
VHP-1 Housing, Wallbracket WD-21, 470TVL

Art-No. 96027



Features

Colour Brd. Camera VKC-148 in Weatherproof Housing

1/4" CCD Sensor Chip

Resolution of 470 Horizontal Lines

Electronic Shutter Control (ESC)

Automatic Gain Control (AGC)

Back Light Compensation (BLC)

Integrated Lens: F2.0/2.9 mm

Supply Voltage: 12 VDC

Insulated Camera Mounting

Compact Version

Index of Protection: IP67

Wall Bracket Included

Specifications

System	CCIR/PAL
Imager	1/4" Sony Super HAD Interline Transfer CCD
Active picture elements	Approx. 440,000 (H) 752 x (V) 582
Synchronization	Internal
Gamma correction	Approx. 0.45
Horizontal resolution	470 TV lines
Sensitivity at 50% video signal	1.75 Lux at F2.0 (VT measurement result); 0.63Lux at F1.2
Electronic shutter control (ESC)	1/50 to 1/100,000 sec. (ON/OFF switchable)
White balance	Automatic (ON/OFF switchable)
Video output	1 Vp-p, CVBS, 75 ohms
Integrated lens	F2.0/2.9mm w./o. iris
Horizontal angle of view	63°
Cable entry	Wiring for video and voltage supply made, accessible from outside
Housing	Aluminium with glass screen
Heater/sunshield	No
Colour	Anodized aluminium (CO)

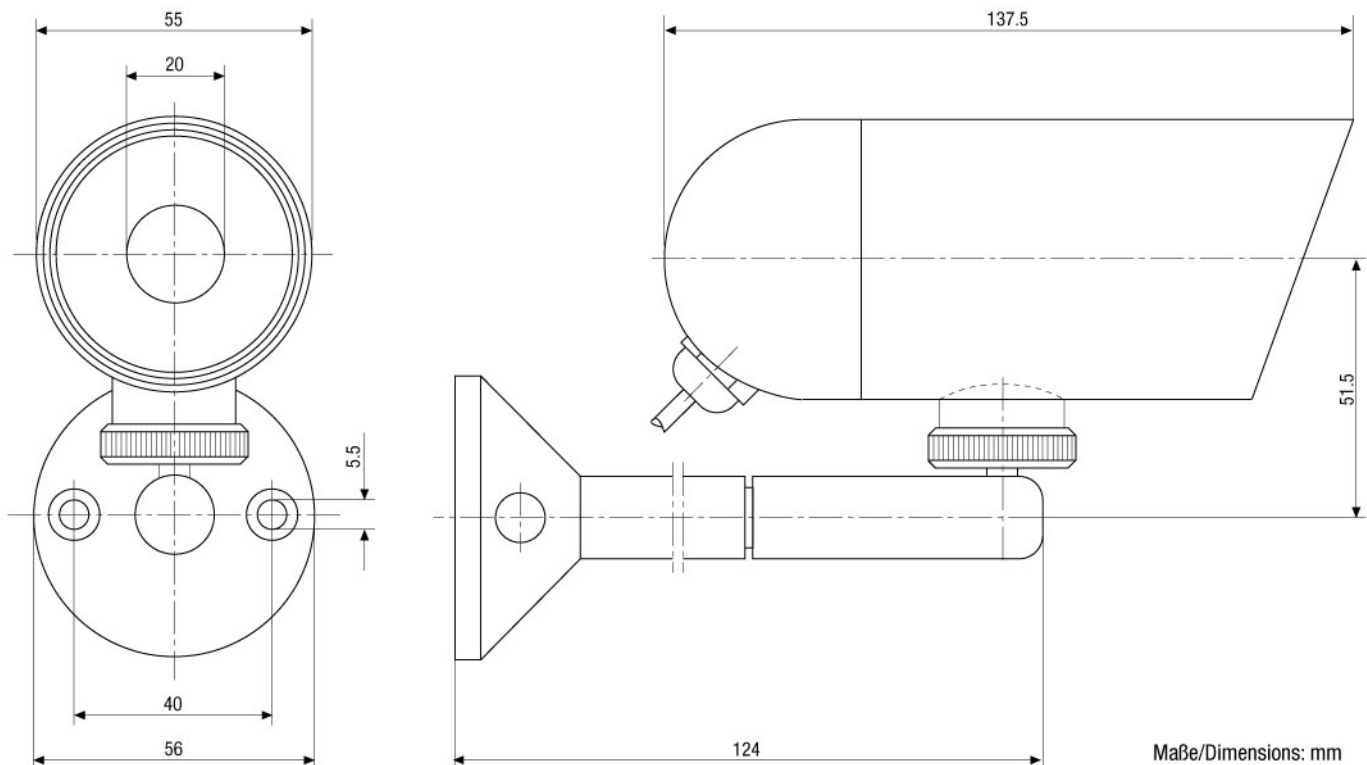
VKC-148/W1

(Specifications continued)

Protection rating	IP 67
Supply voltage	12 VDC +/-10%
Power consumption	Approx. 1.5watts
Temperature range	-30°C to +40°C
Dimensions (HxWxD)	See drawing
Weight (w./o. wall bracket)	280 g
Parts supplied	Wall bracket WD-21/MK, 3mm Allen wrench key, Bag of screws

Accessories

77779 / VT-PS12DC-UK	Power Supply Unit w. UK Mains plug-in, 100-240VAC/12VDC-1.0A, Regul., open Ends
40061 / H0820M	F2.0/8mm Board Camera Lens, 1/3" M12X0.5
40064 / H0320M	F2.0/3.6mm Board camera lens, 1/3" M12x0.5
77772 / VT-PS12DCDT	PSU 12VDC/0,5A, Regulated, Desktop Version, 1.8m Cable each w. open ends
70448 / VT-PS12DC-6	Plug-in Power Supply Unit 100-240VAC 12VDC (1.0Amp), Regulated, w. Open Ends



VIDEOR TECHNICAL E. Hartig GmbH
Carl-Zeiss-Straße 8 · 63322 Rödermark · Germany
Telefon +49 (0) 60 74/8 88-0 · Telefax +49 (0) 60 74/8 88-100
info@videortechnical.com · www.videortechnical.com

