

Video Security



VKC-144/W1

1/4" Colour Camera with 3.6mm Lens in
VHP-1 Housing, Wallbracket WD-21, 380TVL

Art-No. 96006



Features

Colour Brd. Camera VKC-144 in Weatherproof Housing
1/4" CCD Sensor Chip
Resolution of 380 Horizontal Lines
Electronic Shutter Control (ESC)
High Sensitivity
Integrated Lens: F2.0/3.6mm

Supply Voltage: 12VDC
Insulated Camera Mounting
Compact Version
Index of Protection: IP67
Wall Bracket Included

Specifications

System	CCIR/PAL
Imager	1/4" Sony Super HAD Interline Transfer CCD
Active picture elements	Approx. 290,000 (H) 500 x (V) 582
Synchronization	Internal
Gamma correction	Approx. 0.45
Horizontal resolution	380 TV lines
Sensitivity at 50% video signal	3.5Lux at F2.0 (VT measurement result); 1.25Lux at F1.2
Electronic shutter control (ESC)	1/50 to 1/100,000 sec.
Aperture Correction (APC)	Yes (horizontal)
Video output	1 Vp-p, CVBS, 75 ohms
Integrated lens	F2.0/3.6mm w./o. iris
Horizontal angle of view	52°
Cable entry	Wiring for video and voltage supply made, accessible from outside
Housing	Aluminium with glass screen
Heater/sunshield	No
Colour	Anodized aluminium (CO)
Protection rating	IP 66/67

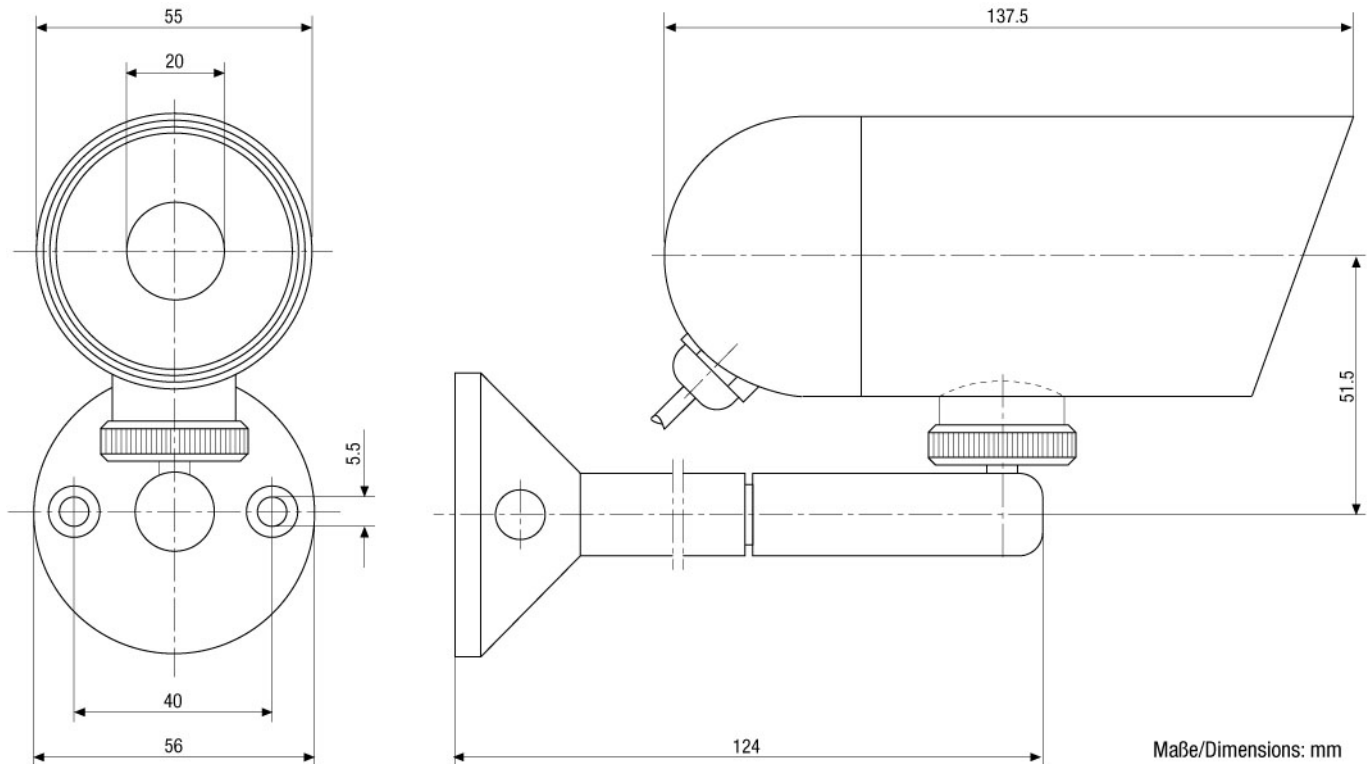
VKC-144/W1

(Specifications continued)

Supply voltage	12 VDC +/-10 %
Power consumption	Approx. 1.5watts
Temperature range	-30°C to +40°C
Dimensions (HxWxD)	See drawing
Weight (w./o. wall bracket)	280 g
Parts supplied	Wall bracket WD-21/MK, 3mm Allen wrench key, Bag of screws

Accessories

40061 / H0820M	F2.0/8mm Board Camera Lens, 1/3" M12X0.5
77779 / VT-PS12DC-UK	Power Supply Unit w. UK Mains plug-in, 100-240VAC/12VDC-1.0A, Regul., open Ends
40065 / H1225	F2.5/12mm Board camera lens, 1/3" M12x0.5
40072 / H0620M	F2.0/6mm Board Camera Lens, 1/3" M12x0.5
70448 / VT-PS12DC-6	Plug-in Power Supply Unit 100-240VAC 12VDC (1.0Amp), Regulated, w. Open Ends
77772 / VT-PS12DCDT	PSU 12VDC/0,5A, Regulated, Desktop Version, 1.8m Cable each w. open ends



VIDEOR TECHNICAL E. Hartig GmbH
Carl-Zeiss-Straße 8 · 63322 Rödermark · Germany
Telefon +49 (0) 60 74/8 88-0 · Telefax +49 (0) 60 74/8 88-100
info@videortechnical.com · www.videortechnical.com

