

Video Security



Cameras | Security Cameras

VKC-143

1/4" Colour Board Camera with 4.0mm Lens, 12VDC, 330TVL

Art-No. 91505



Features

Resolution of 330 Horizontal Lines
CCVS and Y/C Signal Output
Digital Signal Processing (DSP)
Back Light Compensation (BLC)
Electronic Shutter Control (ESC)

High and LowSpeed Shutter
Internal Synchronization
Automatic or Manual White Balance
Flickerless Mode
High Sensitivity

Specifications

System	CCIR/PAL
Imager	1/4" Sony Super HAD Interline Transfer CCD
Active picture elements	Approx. 290,000, (H) 500 x (V) 582
Signal processing	Digital (DSP)
Synchronization	Internal
Gamma correction	0.45
Horizontal resolution	330 TV lines
Sensitivity at 50% video signal	4.84Lux at F3.5 / 0.57Lux at F1.2 (VT measurement result)
Electronic shutter control (ESC)	1/50 to 1/10,000 sec.
Backlight compensation (BLC)	Yes
White balance	Automatic/manual (switchable)
Integrated lens	F 3.5/4.0 mm
Horizontal angle of view	49°
Internal adjustments	Electronic shutter ON/OFF, Manual high speed shutter, Manual low speed shutter (2 to 16 fields), Automatic white balance, Manual white balance (Red/Green), AGC ON/OFF, Flickerless mode ON/OFF, Pos./Neg. Video signal output
Video output	1 Vp-p, CVBS, 75 ohms

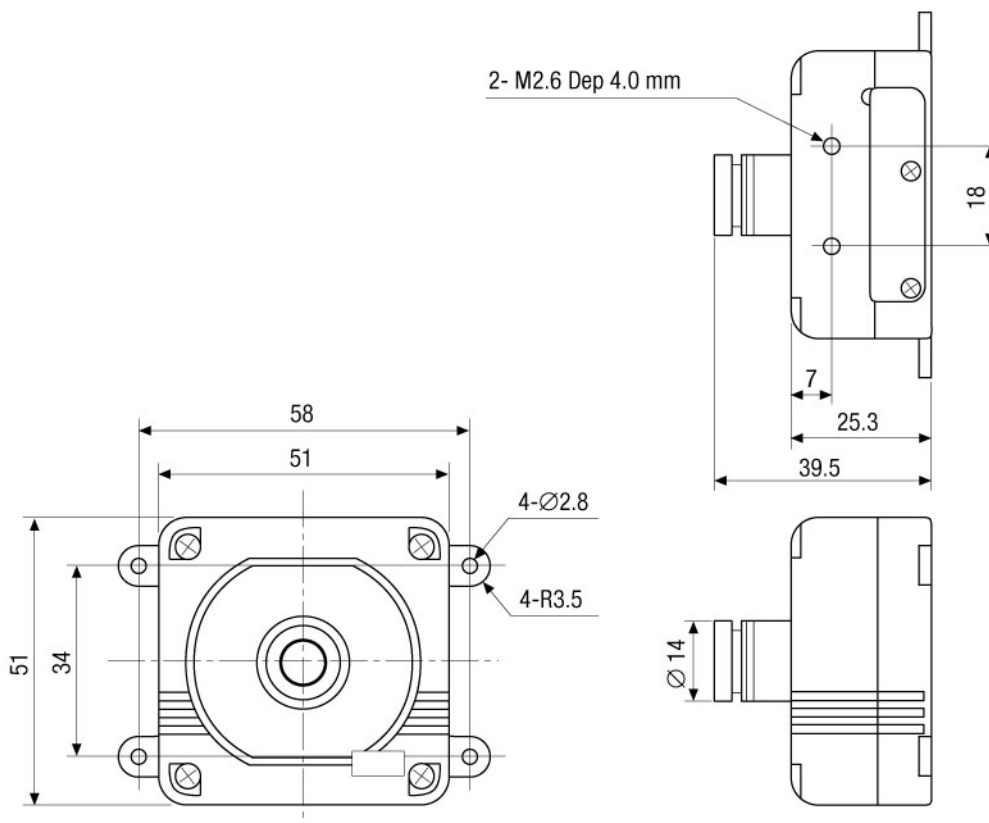
VKC-143

(Specifications continued)

Supply voltage	12 VDC (+/-10 %)
Power consumption	3watts
Colour	Light grey
Temperature range	-10°C to +40°C
Dimensions (HxWxD)	See drawing
Weight	150 g

Accessories

40062 / I0323M	F3.5/2.3mm Board Camera Lens, 1/3" M12X0.75
77779 / VT-PS12DC-UK	Power Supply Unit w. UK Mains plug-in, 100-240VAC/12VDC-1.0A, Regul., open Ends
70448 / VT-PS12DC-6	Plug-in Power Supply Unit 100-240VAC 12VDC (1.0Amp), Regulated, w. Open Ends
77772 / VT-PS12DCDT	PSU 12VDC/0,5A, Regulated, Desktop Version, 1.8m Cable each w. open ends



Maße/Dimensions: mm

VIDEOR TECHNICAL E. Hartig GmbH
Carl-Zeiss-Straße 8 · 63322 Rödermark · Germany
Telefon +49 (0) 60 74/8 88-0 · Telefax +49 (0) 60 74/8 88-100
info@videortechnical.com · www.videortechnical.com

