

Video Security

Cameras | Security Cameras

VKC-1422

1/4" D&N Camera with 30x Zoom Lens,
Removable IR CF, 12VDC, 480TVL

Art-No. 92089



Features

1/4" Sony Super HAD CCD Sensor
Integral 30x AF Zoom Lens / 10x Digital Zoom
Lens F1.6/3.3-99mm / Removable IR Cut Filter
Sensitivity: 1.0Lux at F1.2
On-screen Menu Control (OSD)
Backlight Compensation (BLC)

High and LowSpeed Shutter Control (MES/DSS)
Low Speed Shutter Control up to 128 Fields (DSS)
Automatic Gain Control (AGC)
Automatic White Balance (AWB)
RS-485 Interface (Pelco D Protocol)
Supply Voltage 12VDC

Specifications

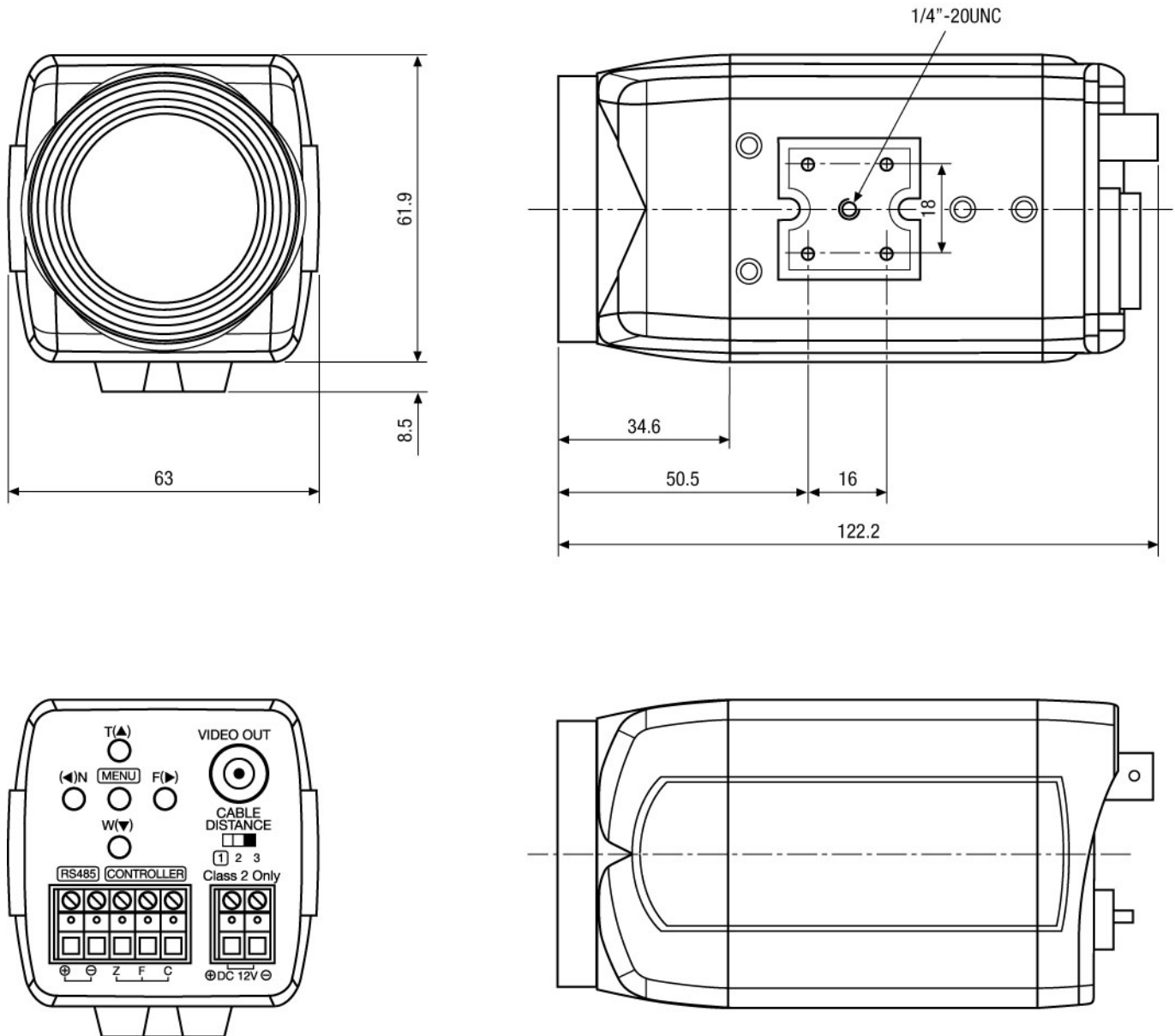
System	day&night
Video standard	CCIR/PAL
Imager	CCD, 1/4" Sony Super HAD Interline Transfer CCD
Sensor size	1/3"
Active picture elements	approx. 440,000, 752(H) x 582(V)
Signal processing	Digital (DSP)
Synchronization	Internal
Signal-to-noise ratio	48dB (AGC Off)
Sensitivity (at 50% video signal)	0,36Lux, at colour; 0.25Lux (B&W). VT measurement result at F1.2, AGC max., DSS Off
Horizontal resolution	480TVL
Manual electronic shutter (MES)	1/50 ~ 1/10,000sec. (8 steps)
Low speed shutter (DSS)	Automatic, 2 ~ 128 Fps.
Integration rate	yes
Automatic gain control (AGC)	0 ~ 255, adjustable
Backlight compensation	BLC, Standard and weighted
White balance	Automatic or manual
Brightness	Adjustment range: 0 ~ 48

(Specifications continued)

Sharpness correction	Adjustment range: 0 ~ 15
IR cut filter	yes
OSD function control	Main menu: Camera-ID no. (up to 255), BLC. D&N. AE: Sharpness, Hor. mirror function, Brightness, Flickerless, Shutter, Auto-Iris. Focus: Autofocus ON/OFF, Zoom end positions. AWB: White balance Automatic/manual. Display: Menu ON/OFF. Initial: Camera settings ON/OFF
Menu driven set-up	On/Off switchable
Menu languages	English
Activity detection	On/Off switchable, 8 sensitivity levels
Mount	n/a
Lens	F1.6 ~ F70/3.3 ~ 99mm
Application range	security
Nominal format size	1/4"
Aspherical technology	yes
Focal length	3,3-99mm
Digital Zoom	2x ~ 10x
Horizontal angle of view	58-2,2°
Focus control	Automatic and manual
Zoom function	Manual via buttons. Menu controlled start and end limitation
Iris control	DC, Auto iris controlled
Lens mount	integrated lens
External adjustments	Menu: ON/OFF Focus: Near/Far Zoom: T/W. Cable length compensation (3 steps)
External connections	Video (BNC), Power input, 5pin RS-485 Serial interface socket / ZF control
Video outputs (type)	CVBS, VBS
Video outputs	1Vp-p, (C)VBS, 75ohms, BNC
Signal amplification	3 steps (for transmission distance short, middle, long)
Serial interfaces	RS-485
Serial port	(control S/W, interface protocols: Pelco D, further upon request)
Camera mount	1/4" - 20 UNC thread on top and bottom
Supply voltage	12VDC, (10 ~15V), 12VDC ±0,5V recommended
Power consumption	4.6watts max.
Temperature range (Operation)	+5°C ~ +40°C
Housing	Plastic
Colour	Silver grey
Dimensions (HxWxD)	See drawing
Weight	Approx. 330g
Parts supplied	Camera, Manual

Accessories

70771 / WD-23	Wall Mount Bracket with Ball Joint, 1/4" Camera Fixing Screw, Pantone 877
70697 / WD-21/RAL9006	Wall Mount Bracket with Ball Joint, 1/4" Camera Fixing Screw, RAL9006
70688 / WD-18	Wall Mount with Ball Joint, 1/4" Camera Fixing Screw, Beige Grey
70448 / VT-PS12DC-6	Plug-in Power Supply Unit 100-240VAC 12VDC (1.0Amp), Regulated, w. open Ends
77773 / VT-PS12DCDT1	PSU 12VDC/1.0A, Regulated, Desktop Version, 1.8m Cables each w. open ends



Maße/Dimensions: mm

VIDEOR TECHNICAL E. Hartig GmbH
 Carl-Zeiss-Straße 8 · 63322 Rödermark · Germany
 Telefon +49 (0) 60 74/8 88-0 · Telefax +49 (0) 60 74/8 88-100
 info@videortechnical.com · www.videortechnical.com

