

Video Security



VKC-1420

1/4" Colour Camera with 16x Zoom Lens
DSP, DSS, 12VDC, 480TVL

Art-No. 92043



Features

Integrated 16x AF Zoom Lens/12x Digital Zoom
Resolution of 480 Horizontal Lines
Sensitivity of 1.3Lux at F1.2 (Colour)
On-screen Menu Control (OSD)
Programmable Back Light Compensation (BLC)
Manual Shutter Control (MES)

Low Speed Shutter Control up to 128 Fields (DSS)
Automatic Gain Control (AGC)
Automatic White Balance (AWB)
Adjustable Video Transmission Distance (3 Steps)
RS-485 Serial Control Interface / ZF Control
Supply Voltage: 12VDC

Specifications

System	CCIR/PAL
Imager	1/4" Sony Super HAD Interline Transfer CCD
Active picture elements	Approx. 440,000, (H) 752 x (V) 582
Signal processing	Digital (DSP)
Synchronization	Internal
Sensitivity at 50% video signal	1.3 (0.1) Lux at colour; 0.74 (0.06) Lux at B&W, VT measurement result at F1.2 (DSS ON/12Flds.)
Horizontal resolution	480TV lines (colour)
Signal amplification	3 steps (for transmission distance short, middle, long)
Zoom function	Manual via buttons. Menu controlled start and end limitation
Focus control	Automatic and manual
Sharpness correction	Adjustment Range: 0 ~ 15
Brightness	Adjustment Range: 0 ~ 48
Manual electronic shutter (MES)	1/50 ~ 1/10,000Sec. (8 steps)
Low speed shutter (DSS)	Automatic, 2 ~ 128 Fields
Automatic gain control (AGC)	Supplied
White balance	Automatic or manual

VKC-1420

(Specifications continued)

Signal-to-noise ratio	48db (AGC OFF)
OSD function control	Main menu: Camera-ID no. (up to 255), B&W switching, Sharpness, Hor. mirror function, Positive/Negative switching. Focus: Autofocus ON/OFF, Zoom end positions. AWB: White balance Automatic/manual. Brightness, Shutter, BLC ON/OFF. Display: Menu ON/OFF. Initial: Camera settings ON/OFF
Menu driven set-up	ON/OFF switchable
Menu languages	English
Serial port	RS-485 (control S/W, interface protocols: Pelco D and upon request)
Backlight compensation (BLC)	Automatic, ON/OFF switchable
Zoom range	3.9 ~ 62.4mm (16x Zoom)
Aperture range	F1.4 ~ F64
Digital Zoom	2x ~ 10x
Horizontal angle of view	Wide angle: 50°; Tele end: 3.3°
Minimum object distance (MOD)	Wide angle: 10cm; Tele end: 1.0m
Filter screw size	-
Iris control	Auto iris controlled
External adjustments	Menu: ON/OFF; Focus: Near/Far; Zoom: T/W. Cable length compensation (3 steps)
Video output	1Vp-p, (C)VBS, 75ohms
External connections	Video (BNC), 12VDC Power input, 5pin RS-485 Serial interface socket / ZF control
Camera mount	Mounting socket with 1/4" - 20 UNC thread
Supply voltage	12VDC (9 ~ 15VDC), 12VDC ±0.5V recommended
Power consumption	4.5watts max.
Temperature range	-10° ~ +50°C
Dimensions (HxWxD)	See drawing
Housing	Plastic
Colour	Silver grey
Weight	Approx. 300g
Parts supplied	Camera, Manual

Accessories

77779 / VT-PS12DC-UK	Power Supply Unit w. UK Mains plug-in, 100-240VAC/12VDC-1.0A, Regul., open Ends
70688 / WD-18	Wall Mount with Ball Joint, 1/4" Camera Fixing Screw, Beige Grey
77772 / VT-PS12DCDT	PSU 12VDC/0,5A, Regulated, Desktop Version, 1.8m Cable each w. open ends
70448 / VT-PS12DC-6	Plug-in Power Supply Unit 100-240VAC 12VDC (1.0Amp), Regulated, w. Open Ends
70697 / WD-21/RAL9006	Wall Mount Bracket with Ball Joint, 1/4" Camera Fixing Screw, RAL9006
70771 / WD-23	Wall Mount Bracket with Ball Joint, 1/4" Camera Fixing Screw, Pantone 877

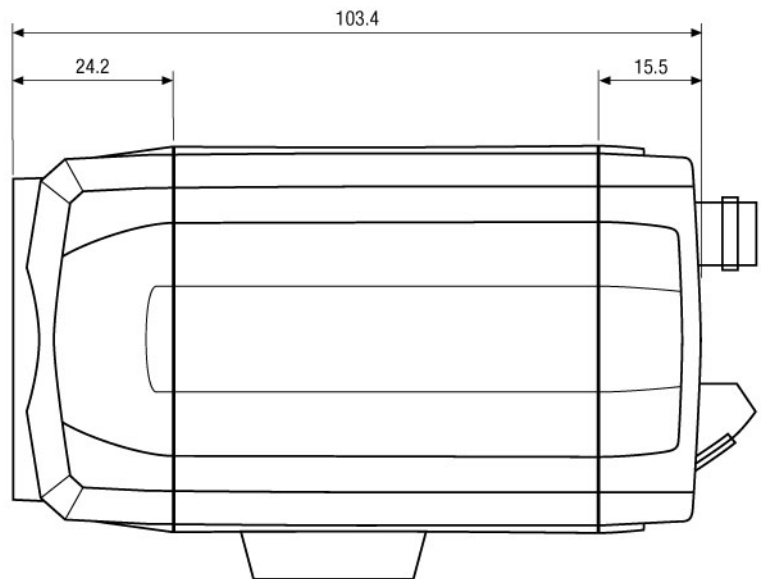
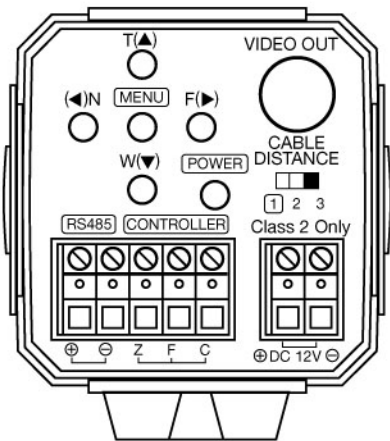
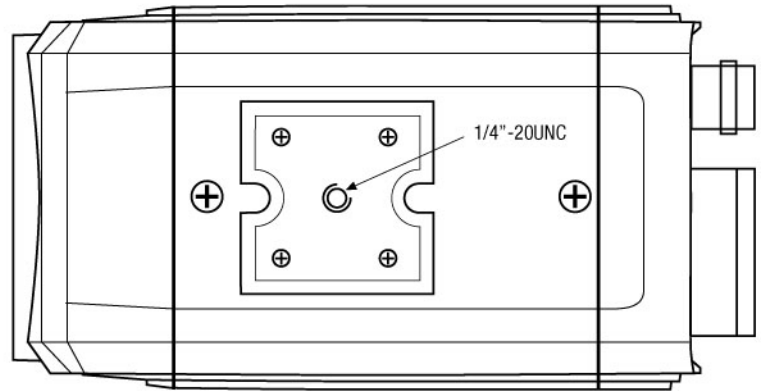
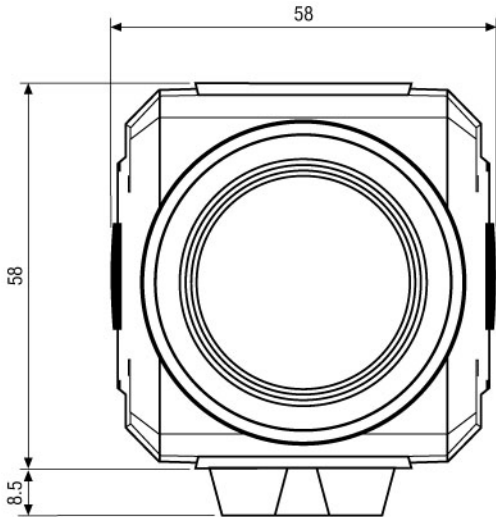
(Accessories continued)

74088 / EDC-KBD1

System Keyboard with 3-axis Joystick, 12VDC/230VAC

74092 / EDC-KBDM-3

System Keyboard w. Joystick, 5" Monitor 12VDC/230VAC



Maße/Dimensions: mm

VIDEOR TECHNICAL E. Hartig GmbH
 Carl-Zeiss-Straße 8 · 63322 Rödermark · Germany
 Telefon +49 (0) 60 74/8 88-0 · Telefax +49 (0) 60 74/8 88-100
 info@videortechnical.com · www.videortechnical.com

