

VKC-1416B

Home | Security | Cameras | Plug & Play

VKC-1416B
1/4" Camera, Day&Night, ExView CCD, WDR, DNR,
22x Zoom, 580TVL, 12VDC

Art-Nr. 92592



Main Features

High resolution day/night camera with Ex-view CCD	Intelligent backlight compensation (BLC)
Integral 22x AF zoom lens / 16x digital zoom	High and low speed shutter control (MES+DSS)
True D&N mode with IR cut filter	Digital effects: H/V reverse, 180° rotate, freeze
Advanced wide dynamic range (WDR) upto x512 (48dB)	Privacy masking up to 16 zones
Motion detection (MD) and face detection (FD)	On-screen menu control (OSD)
Powerful digital noise reduction (2D/3D DNR)	RS-232/RS-485 serial and voltage control interface

Specifications

System	Day&Night
Video standard	CCIR/PAL
Sensor size	1/4"
Imager	CCD, 1/3" Sony ExView HAD CCD
Active picture elements	795(H) x 596(V) pixels
Synchronization	Internal
Signal-to-noise ratio	50dB (AGC OFF)
Gamma correction	0.45
Horizontal resolution	580 TVL, (colour), 600 TVL (B&W)
Sensitivity (at 50% video signal)	0,5 Lux, (colour), 0.05Lux (B&W) at F1.2 (measured)
Exposure modes	Automatic or manual mode: Iris, Shutter and AGC. Automatic mode: Iris priority, Shutter priority
Manual electronic shutter (MES)	1/50 ~ 1/100,000sec.

VKC-1416B

(Continuation Specifications)

Low Speed Shutter	yes
Low speed shutter	OFF, Automatic: 2 ~128 fps.
Automatic gain control (AGC)	30dB max., ON/OFF switchable
Digital Noise Reduction (DNR)	yes
Flickerless function	yes
Mirror function	H/V flip, 180° rotation
White balance	Automatic (AWB) selectable for indoor and outdoor, or manual. Wide range auto mode (WAWB, 1800~10500K)
Backlight compensation	BLC, ON/OFF switchable with adjustable field size
Wide Dynamic Range (WDR)	yes, ON/OFF switchable
Aperture Correction (APC)	horizontal, vertical
Brightness	range: 0 ~70
Sharpness correction	adjustment range: 0 ~15
IR cut filter	switchable
Video outputs	composite (CVBS)
Lens type	zoom
Lens	F1.6 / 3.9 ~85.8mm
Focal length	3,9 mm - 85,8 mm
Digital Zoom	16x
Horizontal angle of view	50° - 2,46°
Iris control	DC
Focus control	Automatic (manual override and programmable: 0.1m/1.0m/1.5m/2.5m/6.0m)
MOD (Minimum object distance)	0,1-6 m
MOD (Minimum Object Distance)	Wide angle (x1 to x4): 10cm Tele end (x5 to x22): 1.0m. Adjustable to 0.1m, 1.0mm, 1.5m, 2.5m and 6m
Filter screw size	M37x0.7mm
Illumination	no
Menu languages	English
OSD function control	day&night, AGC, BLC, AWB, MOD, effect (freeze, pos./neg., flickerless), digital zoom, digital noise reduction (DNR), WDR, shutter mode, white pixel correction
Text display	Title, camera ID and status
Activity detection	yes
Motion detector	4 zones, ON/OFF switchable. Face detection
Privacy zones masking	16 zones masking, ON/OFF switchable
Serial interfaces	RS-232, RS-485
Serial port	Fastrax-IIe, Pelco P&D protocols
External adjustments	Menu: ON/OFF, Focus: Near/Far, Zoom: T/W
External connections	Video (BNC), Power input, Serial interface socket
Temperature range (Operation)	-10°C ~+50°C

VKC-1416B

(Continuation Spezifications)

Housing material	aluminium
Housing	indoor
Integrated wall mount	no
Hidden cable management	no
Sunshield	no
Window heater	no
Colour (housing)	Pantone 877C
Protection rating	IP40
Supply voltage	12VDC
Power consumption	4.5watts
Weight	295g
Parts supplied	Camera, 12-pin adapter cable with open ends, Multi-language manual
Certificates	CE

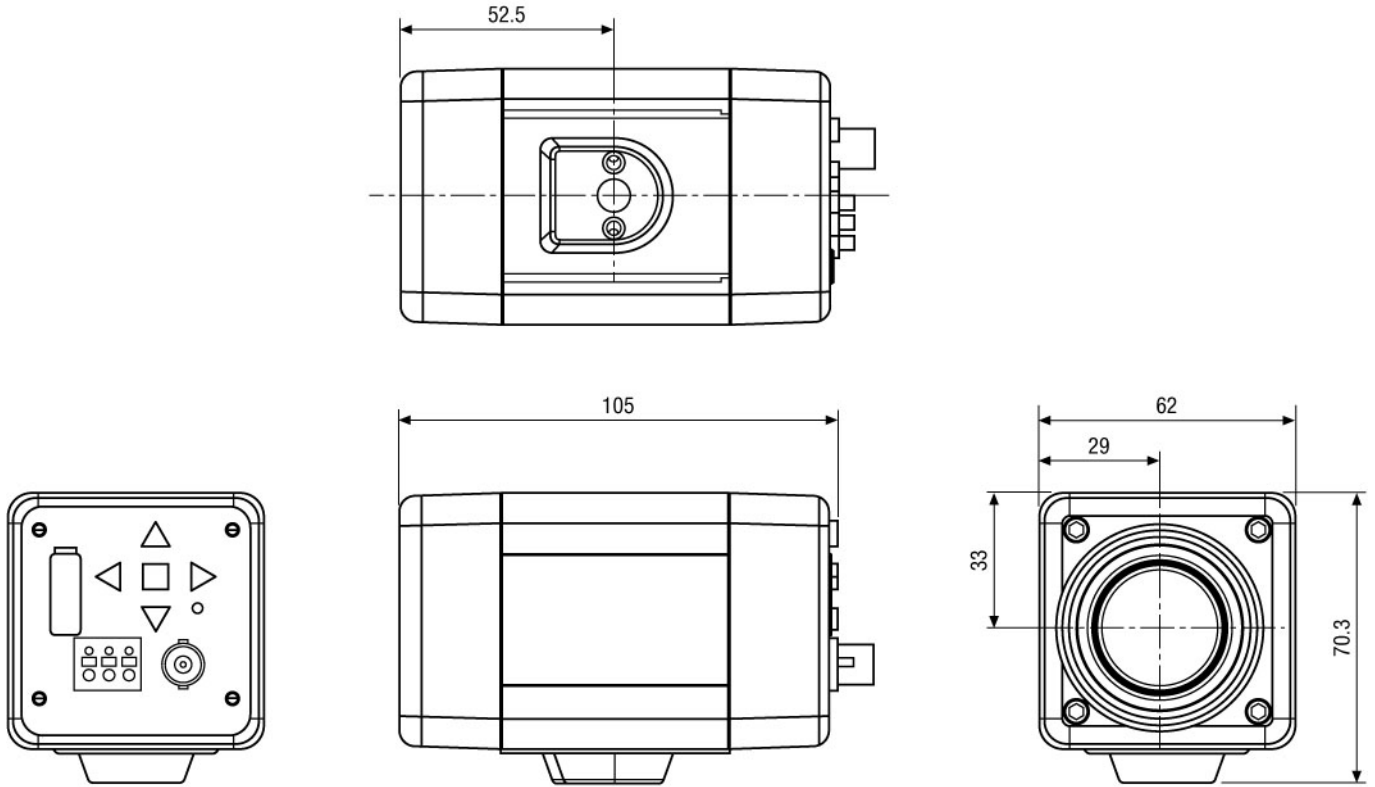
Optional accessories

70536	VT-PS12DC-9	Plug-in Power Supply Unit 100-240VAC 12VDC (1.0Amp), Regulated, w. open Ends
77773	VT-PS12DCDT1	PSU 12VDC/1.0A, Regulated, Desktop Version, 1.8m Cables each w. open ends
70495	VT-PS12DC-7	Plugable PSU w. Cont. & UK Mains plug-in 100-240VAC/12VDC-1.25A, Regulated
74149	KBD-2	System Keyboard with 3-Axis Joystick and Jog Shuttle, 12VDC
74088	EDC-KBD1	System Keyboard with 3-axis Joystick, 12VDC
74092	EDC-KBDM-3	System Keyboard w. Joystick, 5" Monitor 12VDC, Fastrax Protocol
70688	WD-18	Wall Mount with Ball Joint, 1/4" Camera Fixing Screw, beige Grey
92192	VKCD-1410/KB	Remote Controller for VKCD-1410, VKC-1416(A)/IR and NTC-4101
74124	FASTRAX_CONFIG	Configuration Software for Eneo Fastrax, Minitrax Dome Cameras and VKC-1416

VKC-1416B

Home | Security | Cameras | Plug & Play

Technical drawing



Maße/Dimensions: mm