



VKC-1413/WDDG1

1/4" Colour Dome Camera, In-ceiling Mount
with F2.0/2.6-5.6mm Lens, 12VDC, 380TVL

Art-Nr. 91895



Features

For Wall and In-ceiling Mount
Vandal and Tamper-Resistant
Clear Lexan Bubble with Inner Liner
1/4" CCD Colour Board Camera
Resolution of 380 Horizontal Lines
Automatic Shutter Control (AES)

Aperture Correction (APC)
Automatic Gain Control (AGC)
Back Light Compensation (BLC)
Automatic White Balance (AWB)
Integrated 2.6-5.6mm Varifocal Lens
For Easy Indoor and Outdoor Installation

Specifications

Imager	1/4" Sony Super HAD Interline Transfer CCD
Active picture elements	Approx. 290,000 (H) 500 x (V) 582 pixels
System	CCIR/PAL
Synchronization	Internal
Sensitivity at 50% video signal	3.5Lux at F2.0 / 1.25Lux at F1.2 (VT measurement result)
Horizontal resolution	380 TV lines
Automatic gain control (AGC)	ON/OFF switchable
Automatic shutter control (AES)	1/50 to 1/100,000sec.
White balance	Automatic (through the lens)
Backlight compensation (BLC)	Yes
Gamma correction	Approx. 0.45
Lens	F2.0-2.7/2.6-5.6mm (fixed iris)
Horizontal angle of view	90°
Cable entry	3/4" and 1/2" thread for conduit glands, lock stopper included
Cable connection	Multicore cable, 20cm, open leads
Video output	1Vp-p, CVBS, 75ohms
Supply voltage	12VDC (+/-10 %)

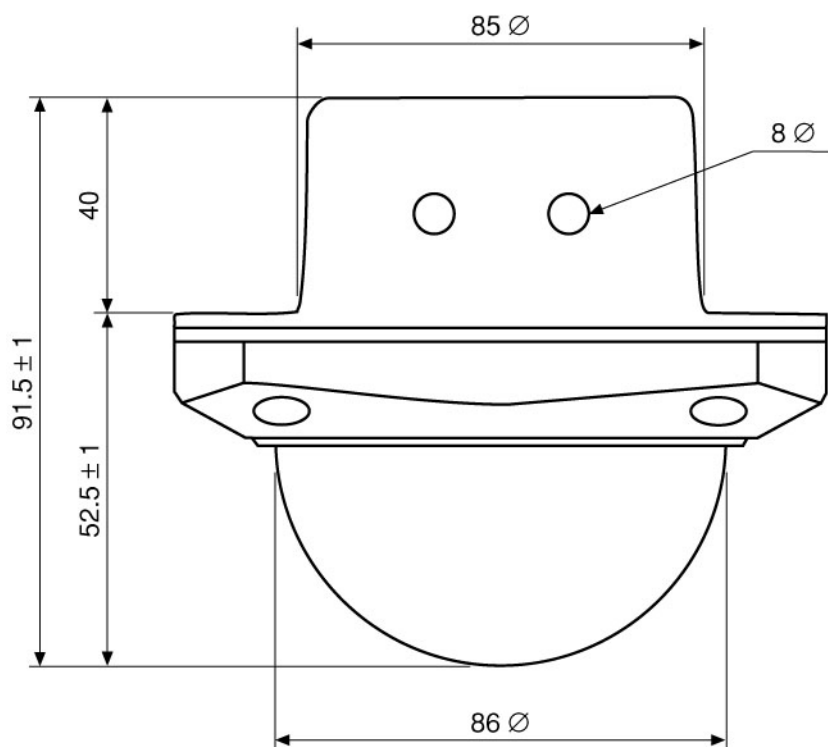
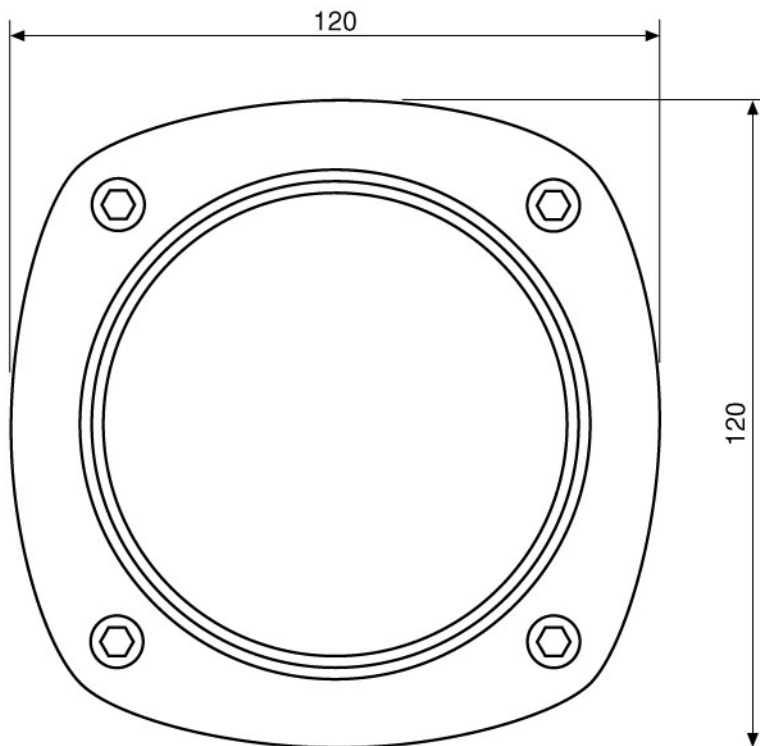
VKC-1413/WDDG1

(Specifications continued)

Power consumption	Approx. 1.5watts
Temperature range	-10°C to +50°C
Housing	Die-cast aluminium with clear polycarbonate bubble
Protection rating	IP X5 (At installation, e. g. using of all sealing rings and appropriate glands)
Bubble	Vandal resistant 3mm clear polycarbonate bubble with inner liner
Dimensions (HxWxD)	See drawing
Weight	750g
Parts supplied	Mounting kit, 1/2" gland, Blind covers, Torx wrench key

Accessories

70448 / VT-PS12DC-6	Plug-in Power Supply 100-240VAC/12VDC
77772 / VT-PS12DCDT	PSU 12VDC/0,5A, Desktop version



Maße/Dimensions: mm



VKC-1413/WDDG2

1/4" Colour Dome Camera, Surface Mount
with F2.0/2.6-5.6mm Lens, 12VDC, 380TVL

Art-Nr. 91896



Features

For Wall and Drop-ceiling Mount
Vandal and Tamper-Resistant
Clear Lexan Bubble with Inner Liner
1/4" CCD Colour Board Camera
Resolution of 380 Horizontal Lines
Automatic Shutter Control (AES)

Aperture Correction (APC)
Automatic Gain Control (AGC)
Back Light Compensation (BLC)
Automatic White Balance (AWB)
Integrated 2.6-5.6mm Varifocal Lens
For Easy Indoor and Outdoor Installation

Specifications

Imager	1/4" Sony Super HAD Interline Transfer CCD
Active picture elements	Approx. 290,000 (H) 500 x (V) 582 pixels
System	CCIR/PAL
Synchronization	Internal
Sensitivity at 50% video signal	3.5Lux at F2.0 / 1.25Lux at F1.2 (VT measurement result)
Horizontal resolution	380 TV lines
Automatic gain control (AGC)	ON/OFF switchable
Automatic shutter control (AES)	1/50 to 1/100,000sec.
White balance	Automatic (through the lens)
Backlight compensation (BLC)	Yes
Gamma correction	Approx. 0.45
Lens	F2.0-2.7/2.6-5.6mm (fixed iris)
Horizontal angle of view	90°
Cable entry	3/4" and 1/2" thread for conduit glands, lock stopper included
Cable connection	Multicore cable, 20cm, open leads
Video output	1Vp-p, CVBS, 75ohms
Supply voltage	12VDC (+/-10 %)

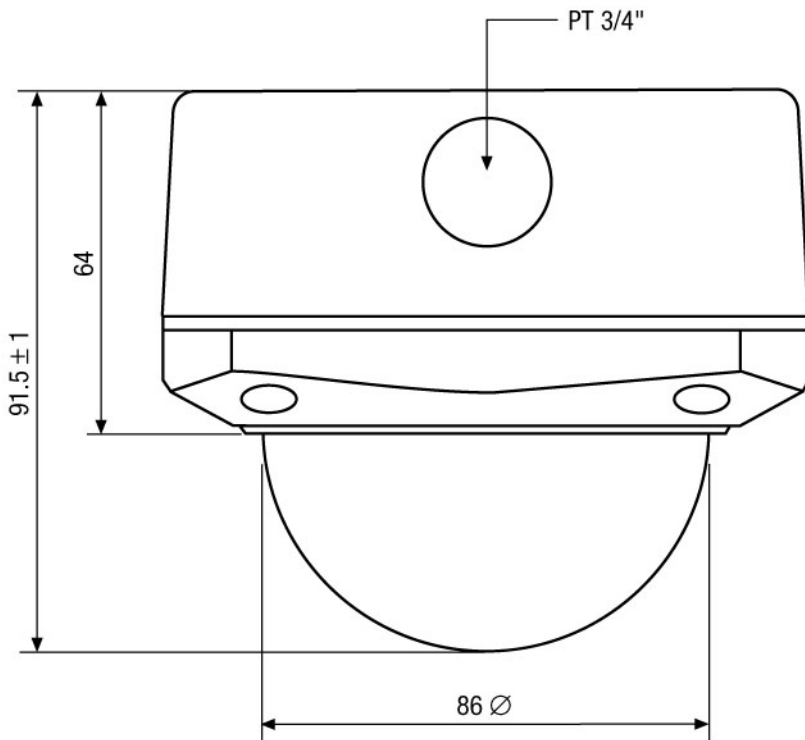
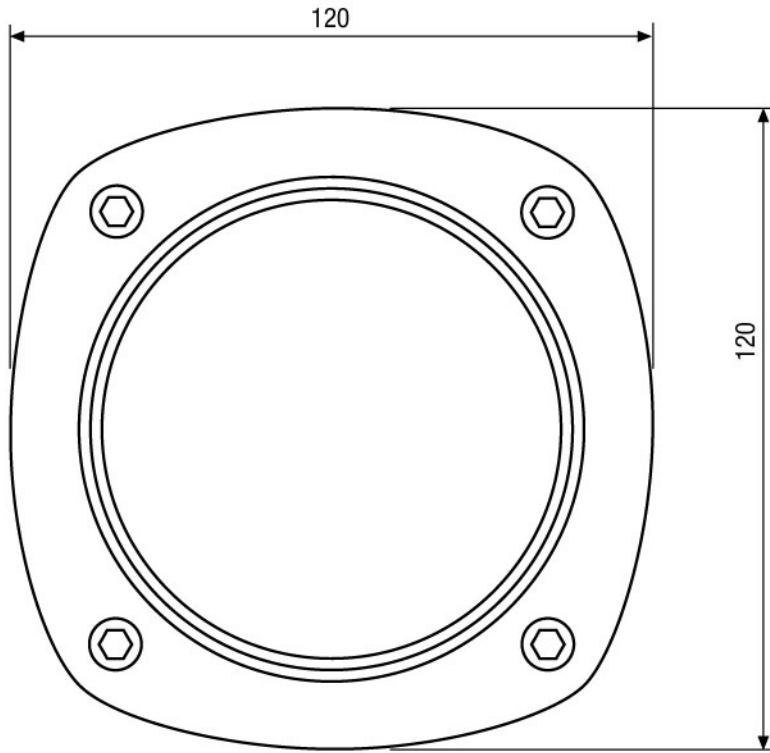
VKC-1413/WDDG2

(Specifications continued)

Power consumption	Approx. 1.5watts
Temperature range	-10°C to +50°C
Housing	Die-cast aluminium with clear polycarbonate bubble
Protection rating	IP X5 (At installation, e. g. using of all sealing rings and appropriate glands)
Bubble	Vandal resistant 3mm clear polycarbonate bubble with inner liner
Dimensions (HxWxD)	See drawing
Weight	Approx. 760g
Parts supplied	Mounting kit, 1/2" gland, Blind covers, Torx wrench key

Accessories

70448 / VT-PS12DC-6	Plug-in Power Supply 100-240VAC/12VDC
----------------------------	---------------------------------------



Maße/Dimensions: mm