



VKC-1380/IR

Article-No.: 98092

1/3" Camera, Day&Night, F1.2/2.8-11mm,
600TVL, IR Illumination, 12VDC/24VAC

Mainfeatures

1/3" progressive scan HR colour CCD
Removable IR cut filter (ICR)
Powerful digital noise reduction (3D DNR)
Digital image stabilization (DIS)
IR illumination by 48 integral 850nm LEDs

Sensitivity of 0.2 Lux at F1.2 (colour)
Wide dynamic range (WDR) up to x160 (44dB)
High and low speed shutter control (MES/ESC/DSS)
From the outside adjustable focus and zoom
Illumination range: approx. 50m

Specifications

System	colour
Sensor size	1/3"
Imager	CCD
Imager	Sony Progressive Scan Interline Transfer
Synchronization	internal
Horizontal resolution	600 TVL
Horizontal resolution	(colour), 640 TVL (B&W)
Sensitivity (at 50% video signal)	0,2 Lux
Sensitivity (at 50% video signal)	(colour) at F1.2 and AGC very high (measured)
Automatic electronic shutter (ESC)	1/120 ~ 1/10.000sec.
Manual electronic shutter (MES)	1/120 ~ 1/10.000sec.
Low speed shutter	yes
Low speed shutter	Automatic, 2 ~ 256 Fps., ON/OFF switchable
Automatic gain control (AGC)	ON/OFF switchable
Digital Noise Reduction (DNR)	yes
Digital Noise Reduction (DNR)	ON, OFF, auto, low, middle, high, user (level 1-16)
Flickerless function	yes




Specifications (continued)

Mirror function	horizontal, vertical
White balance	AWB, ATW, AWC, manually, indoor / outdoor
Backlight compensation	BLC
Backlight compensation	ON/OFF switchable with adjustable field size
Wide Dynamic Range (WDR)	yes
Wide Dynamic Range (WDR)	44dB
Aperture Correction (APC)	horizontal, vertical
Brightness	adjustment range: -32 ~ +32
Sharpness correction	adjustment range: 0 ~ 3
IR cut filter	switchable
Video outputs	composite (CVBS)
Lens type	varifocal
Lens	F1.2 ~ F260/2.8 ~ 11mm
Focal length	2,8 mm - 11 mm
PTZ support	no
Digital zoom	1x ~ 10x
Horizontal angle of view	96,7° - 24,1°
Filter screw size	-
Illumination	infrared
Illumination	48x LED's 850nm. Due to an integrated light sensor the LED illumination will be switched ON/OFF, depending on environmental illumination conditions
Illumination range	approx. 50m (at a good light reflection and 40% video signal)
Menu languages	German, English, French, Spanish, Italian
OSD function control	AGC, motion detection, brightness, day&night, privacy zones, digital zoom, text, shutter control, sharpness, DNR, PIP (picture-in-picture), flickerless fuction, DIS, BLC, white balance, language
Text display	54 character label, ON/OFF switchable
Activity detection	yes
Motion detector	4 zones, ON/OFF switchable
Privacy zones masking	8 zones masking
Serial interfaces	RS-485
Serial port	(Pelco P and D protocol)
Serial interfaces protocols	Pelco D, Pelco P
External adjustments	zoom & focus
Mounting	Wall & ceiling pendant mount
Temperature range (operation)	-10°C ~ +50°C
Housing material	aluminium
Housing	outdoor
Integrated wall mount	yes
Hidden cable management	yes
Sunshield	yes
Window heater	no
Clear Shield	no
Colour (housing)	silver grey
Vandalism resistant	no
Protection rating	IP66
Alarm inputs	-

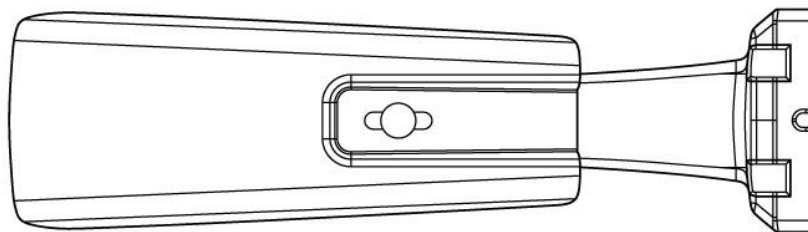
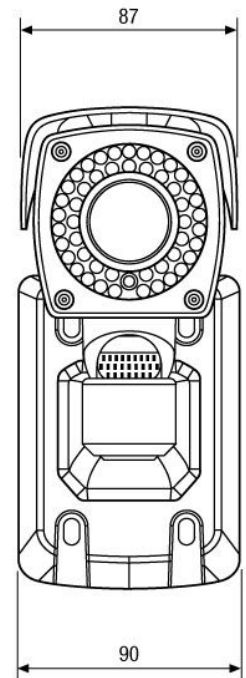
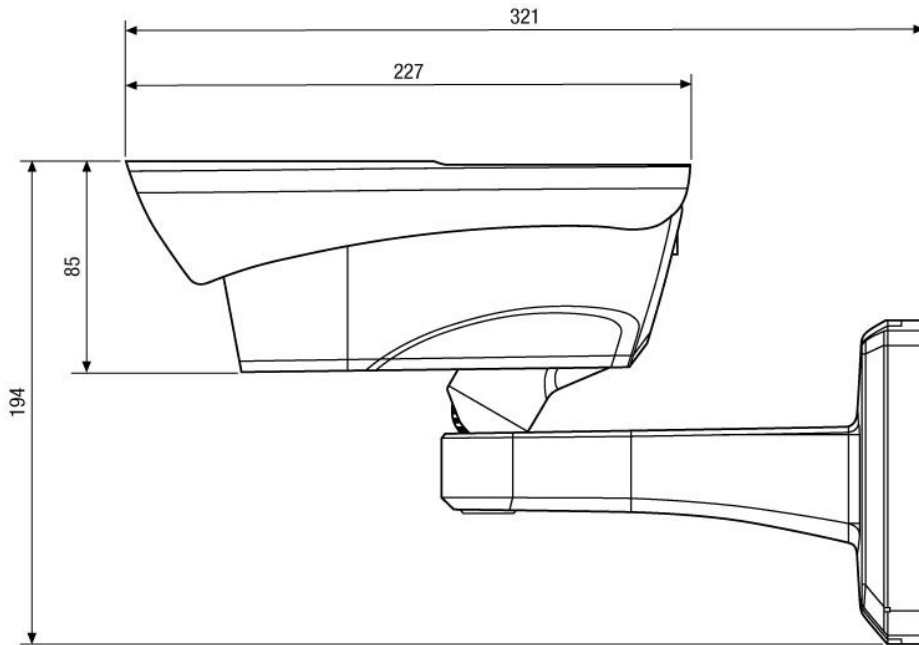
Specifications (continued)

Alarm outputs	-
Supply voltage	12VDC, 24VAC
Supply voltage	(+/-10%)
Power consumption	9W
Dimensions (HxWxD)	see drawing
Weight	1.75kg
Parts supplied	camera, 5mm Allen key, screw set, cable remote control, manual
Certificates	CE

Optional Accessories

Image	Artikel-Nr. / Typ	Description
	NE-128	Voltage supply unit 230V/24VAC-5A, IP66
	VT-PS12DC-7	Plugable PSU w. Cont. & UK Mains plug-in 100-240VAC/12VDC-1.25A, Regulated
	NE-132/AC24V	Power Supply Unit 230VAC/24VAC (1.0A)

Technical Drawing



Maße/Dimensions: mm

Your partner for eneo products:

