

# VKC-1375/12-24

Home | Security | Cameras | Boxed

VKC-1375/12-24  
1/3" Camera, Day&Night, WDR, DSS, EHLC,  
Video Analytics, 650TVL, 12VDC/24VAC

Art-Nr. 92566



Lens is not included

## Main Features

1/3" Sony Super HAD II PS 960H interline transfer	256x digital zoom and digital PTZ support
Sensitivity of 0.1lux at F1.2 (colour/AGC high)	On-screen display (OSD)
Wide dynamic range (WDR) up to x512 (54dB)	Video analysis: motion trace / face trace, etc.
Intelligent backlight compensation (BLC)	Privacy masking/mirror function/motion detection
Excessive highlight compensation (EHLC)	External day&night selection / RS-485 interface
Powerful digital noise reduction (3D/2D DNR)	Supply Voltage: 12VDC or 24VAC

## Specifications

System	Day&Night
Video standard	CCIR/PAL
Sensor size	1/3"
Imager	CCD, Sony Super HAD II PS 960H Interline Transfer
Active picture elements	570,000, 976(H) x 582(V)
Horizontal resolution	650 TVL
Synchronization	Internal/AC line lock
Signal-to-noise ratio	50dB (AGC OFF)
Gamma correction	0.45
Sensitivity (at 50% video signal)	0,1 Lux, (colour), 0.03Lux (B&W) at F1.2 (measured)
Automatic gain control (AGC)	OFF/LOW/MID/HIGH selectable
Exposure modes	Automatic, Manual shutter, Flickerless, Low Light control, Offset add
Automatic electronic shutter (ESC)	1/50 ~ 1/100,000sec.

# VKC-1375/12-24

(Continuation Specifications)

<b>Manual electronic shutter (MES)</b>	1/50 ~ 1/10.000sec.
<b>Low Speed Shutter</b>	yes
<b>Low speed shutter</b>	32fps max. ON/OFF switchable
<b>Digital Noise Reduction (DNR)</b>	yes, 2D & 3D, Gain adjust, DNR Demo
<b>Backlight compensation</b>	BLC, EHLC (Excessive High Light Compensation), Automatic, Spot, Zone, BLM (Backlight Masking)
<b>Wide Dynamic Range (WDR)</b>	yes, 54dB
<b>White balance</b>	Automatic, Push&Hold, Indoor, Outdoor, FL (Fluorescent light), User set
<b>Blemish compensation</b>	Automatic blemish detection and compensation (for up to 64 pixels). Detected pixel display
<b>Aperture Correction (APC)</b>	Horizontal and vertical
<b>Flickerless function</b>	On/Off switchable
<b>IR cut filter</b>	switchable
<b>Day/Night switching</b>	By external contact closure
<b>Privacy zones masking</b>	up to 15 zones (Tilt, Color, Transparency, Mosaic)
<b>OSD function control</b>	H/V flip (Mirror picture), Rotation, Positive/Negative, Freeze, Sharpness correction, Frame control (Use for saving storage): Automatic, OFF~7sec., System Lock, Password protection
<b>Camera ID</b>	Via ID no. (alpha numeric 001~255)
<b>Motion detector</b>	4 zones, ON/OFF switchable
<b>Mirror function</b>	On/Off switchable
<b>Digital Zoom</b>	2x ~256 (Zoom), D-PTZ Support
<b>Analysis Functions</b>	Activity detection (compatible with digital PTZ support), Motion tracking, Face detection, Virtual fence (mine area), Removal (object disappearing or removing), Cross object counting, People counter, Scene change (tamper detection)
<b>Lens mount</b>	CS
<b>Iris control</b>	Manual iris, Auto-Iris/DC controlled
<b>Illumination</b>	no
<b>External adjustments</b>	Flange focus, 4 menu cursor buttons
<b>Video outputs</b>	Composite (CVBS), 1Vp-p, (C)VBS, 75ohms, BNC
<b>External connections</b>	video (BNC), auto iris/DC iris (4-pin), voltage input, RS-485, alarm output TTL, open collector, external day&night switching
<b>Serial interfaces</b>	RS-485
<b>Camera mount</b>	1/4" - 20 UNC thread on top and bottom
<b>Supply voltage</b>	12VDC, 24VAC, (+/-10%)
<b>Power consumption</b>	3.6watts
<b>Housing</b>	Indoor
<b>Colour</b>	Pantone 877C, Side wings: Pantone Cool Gray 11C
<b>Hidden cable management</b>	no
<b>Protection rating</b>	IP40

# VKC-1375/12-24

(Continuation Specifications)

<b>Temperature range (Operation)</b>	-10° ~+50°C
<b>Dimensions (HxWxD)</b>	See drawing
<b>Weight</b>	265g
<b>Parts supplied</b>	4-pin plug, C/CS mount ring
<b>Certificates</b>	CE

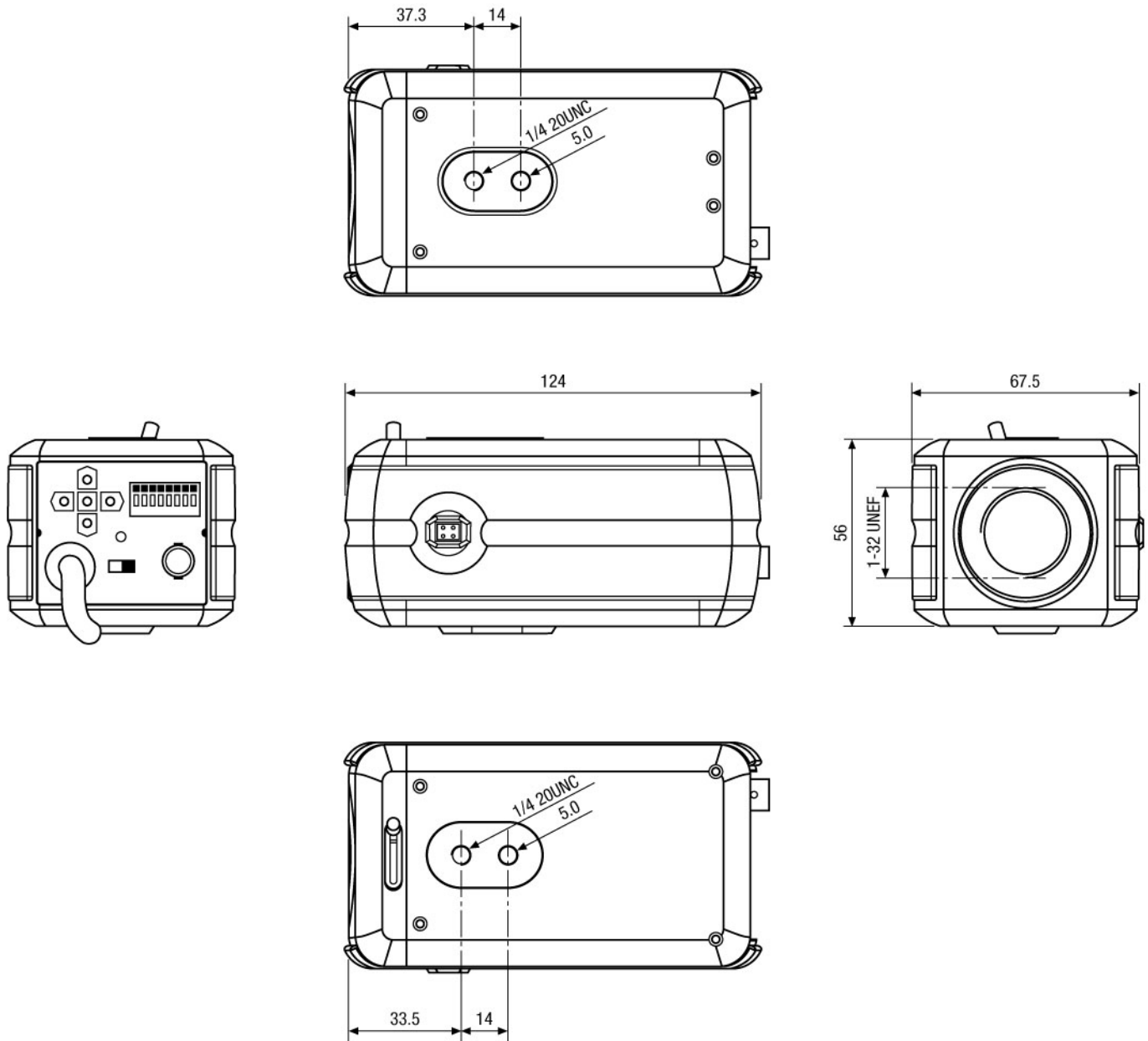
## Optional accessories

<b>70495</b>	<b>VT-PS12DC-7</b>	Pluggable PSU w. Cont. & UK Mains plug-in 100-240VAC/12VDC-1.25A, Regulated
<b>70536</b>	<b>VT-PS12DC-9</b>	Plug-in Power Supply Unit 100-240VAC 12VDC (1.0Amp), Regulated, w. open Ends
<b>43238</b>	<b>F03Z2.710DC-NFS</b>	F1.0/3-8mm DC Lens/var. Focal Length with No Focus Shift, 1/3"CS Mount
<b>45246</b>	<b>YV5X2.7R4B-SA2L</b>	F1.3/2.7-13.5mm DC Varifocal Lens, No Focus Shift, 1/3"CS Mount
<b>70527</b>	<b>NE-132/AC24V</b>	Power Supply Unit 230VAC/24VAC (1.0A)
<b>43239</b>	<b>A10Z04NDDC-NFS</b>	F1.4/10-40mm DC Lens/var. Focal Length with No Focus Shift, 1/2"CS Mount
<b>43251</b>	<b>G04Z03NDDC-NFS</b>	F1.2/4.5-12.5mm DC Lens/variable Focal Length, No Focus Shift, 1/2"CS Mount
<b>77773</b>	<b>VT-PS12DCDT1</b>	PSU 12VDC/1.0A, Regulated, Desktop Version, 1.8m Cables each w. open ends
<b>43249</b>	<b>F07Z07NDDC-NFS</b>	F1.3/7.5-50mm DC Lens/var. Focal Length with No Focus Shift, 1/3"CS Mount
<b>70836</b>	<b>WD-13-WA</b>	Ceiling Mount with Ball Joint, 1/4"Camera Fixing Screw, RAL9006
<b>70833</b>	<b>WD-13/E-WA</b>	Ceiling Mount w. Ball Joint, extendable 1/4"Camera Fixing Screw, RAL9006
<b>70771</b>	<b>WD-23</b>	Wall Mount Bracket with Ball Joint, 1/4"Camera Fixing Screw, Pantone 877
<b>70769</b>	<b>WD-22</b>	Wall Mount Bracket with Ball Joint, 1/4"Camera Fixing Screw, Beige Grey

# VKC-1375/12-24

Home | Security | Cameras | Boxed

## Technical drawing



# VKCD-1375

Home | Security | Dome Cameras | Fixed

VKCD-1375

1/3" Dome, Fixed, Day&Night, WDR, DSS,

Video Analysis, clear, 650TVL, 12/24VAC

**Art-Nr. 92568**



## Main Features

1/3" Sony Super HAD II PS 960H interline transfer  
Sensitivity of 0.1lux at F1.2 (colour/AGC high)  
Wide dynamic range (WDR) up to x512 (54dB)  
Intelligent backlight compensation (BLC)  
Excessive highlight compensation (EHLC)  
Powerful digital noise reduction (3D/2D DNR)

256x digital zoom and digital PTZ support  
On-screen display (OSD)  
Video analysis: motion trace / face trace, etc.  
Privacy masking/mirror function/motion detection  
External day&night selection / RS-485 interface  
Integral F1.4/2.8-12mm varifocal DC iris lens

## Specifications

Video standard	CCIR/PAL
System	Day&Night
Sensor size	1/3"
Imager	CCD, Sony Super HAD II PS 960H Interline Transfer
Active picture elements	570,000, 976(H) x 582(V)
Synchronization	Internal/AC line lock
Signal-to-noise ratio	50dB (AGC OFF)
Sensitivity (at 50% video signal)	0,1 Lux, (colour), 0.03Lux (B&W) at F1.2 (measured)
Exposure modes	Automatic, Manual shutter, Flickerless, Low Light control, Offset add
Horizontal resolution	650 TVL
Rotation range	359°
Privacy zones masking	up to 15 zones (Tilt, Color, Transparency, Mosaic)
Automatic gain control (AGC)	OFF/LOW/MID/HIGH selectable

# VKCD-1375

(Continuation Specifications)

<b>Automatic electronic shutter (ESC)</b>	1/50 ~ 1/100,000sec. (ON/OFF switchable)
<b>Manual electronic shutter (MES)</b>	1/50 ~ 1/10,000sec.
<b>Low Speed Shutter</b>	yes
<b>Low speed shutter</b>	32fps max. ON/OFF switchable
<b>Digital Noise Reduction (DNR)</b>	yes, 2D & 3D, Gain adjust, DNR Demo
<b>Flickerless function</b>	On/Off switchable
<b>Mirror function</b>	On/Off switchable
<b>White balance (AWB)</b>	Automatic, Push&Hold, Indoor, Outdoor, FL (Fluorescent light), User set
<b>Backlight compensation</b>	BLC, EHLC (Excessive High Light Compensation), Automatic, Spot, Zone, BLM (Backlight Masking)
<b>Wide Dynamic Range (WDR)</b>	yes, 54dB
<b>Aperture Correction (APC)</b>	Horizontal and vertical
<b>IR cut filter</b>	switchable
<b>Video outputs</b>	Composite (CVBS), 1Vp-p, (C)VBS, 75ohms, BNC
<b>Lens mount</b>	integrated lens
<b>Lens type</b>	varifocal
<b>Lens</b>	F1.4/2.8 ~ 12mm with galvanometer driven iris
<b>Focal length</b>	2,8 mm - 12 mm
<b>Horizontal angle of view</b>	81,2° - 22,6°
<b>Digital Zoom</b>	2x ~256 (Zoom), D-PTZ Support
<b>Aperture range (F)</b>	F1.4~F130
<b>Iris control</b>	DC
<b>MOD (Minimum object distance)</b>	0,2 m
<b>Filter screw size</b>	not available
<b>Alarm inputs</b>	-
<b>Activity detection</b>	yes
<b>Motion detector</b>	4 zones, ON/OFF switchable
<b>Analysis Functions</b>	Activity detection (compatible with digital PTZ support), Motion tracking, Face detection, Virtual fence (mine area), Removal (object disappearing or removing), Cross object counting, People counter, Scene change (tamper detection)
<b>Menu driven set-up</b>	ON/OFF switchable
<b>Menu languages</b>	English
<b>OSD function control</b>	H/V flip (Mirror picture), Rotation, Positive/Negative, Freeze, Sharpness correction, Frame control (Use for saving storage): Automatic, OFF~7sec., System Lock, Password protection
<b>Camera ID</b>	Via ID no. (alpha numeric 001~255)
<b>Sharpness correction</b>	Adjustment range: 0 ~15
<b>Brightness</b>	Adjustment range: 48 ~255
<b>Internal adjustments</b>	Zoom & Focus, Menu access

# VKCD-1375

(Continuation Specifications)

<b>External connections</b>	video (BNC), voltage input, RS-485, alarm output TTL, open collector, external day&night switching
<b>Keyboard control</b>	Direct mode control with eneo EDC-KBD(M), KBD-2, VKCD-1410/KB keyboard series
<b>Serial interfaces</b>	RS-485, Protocols: eneo Fastrax EII and Pelco D&P
<b>Heater</b>	no
<b>Protection rating</b>	IP66, at installation according to the manual
<b>Supply voltage</b>	12VDC, 24VAC, (+/-10%)
<b>Power consumption</b>	3.0watts
<b>Vandalism resistant</b>	yes
<b>Colour (bubble)</b>	clear
<b>Camera adjustment</b>	360° horizontal / -10°~90° tilt
<b>Mounting</b>	ceiling mount, wall mount
<b>Housing</b>	Outdoor
<b>Housing material</b>	Aluminium
<b>Colour (housing)</b>	Pantone Cool Gray 1C
<b>Dimensions (DxH)</b>	146.3x113.7mm
<b>Weight</b>	760g
<b>Colour</b>	Pantone 877C, Side wings: Pantone Cool Gray 11C
<b>Parts supplied</b>	Mounting kit, Torx wrench key, Manual
<b>Certificates</b>	CE

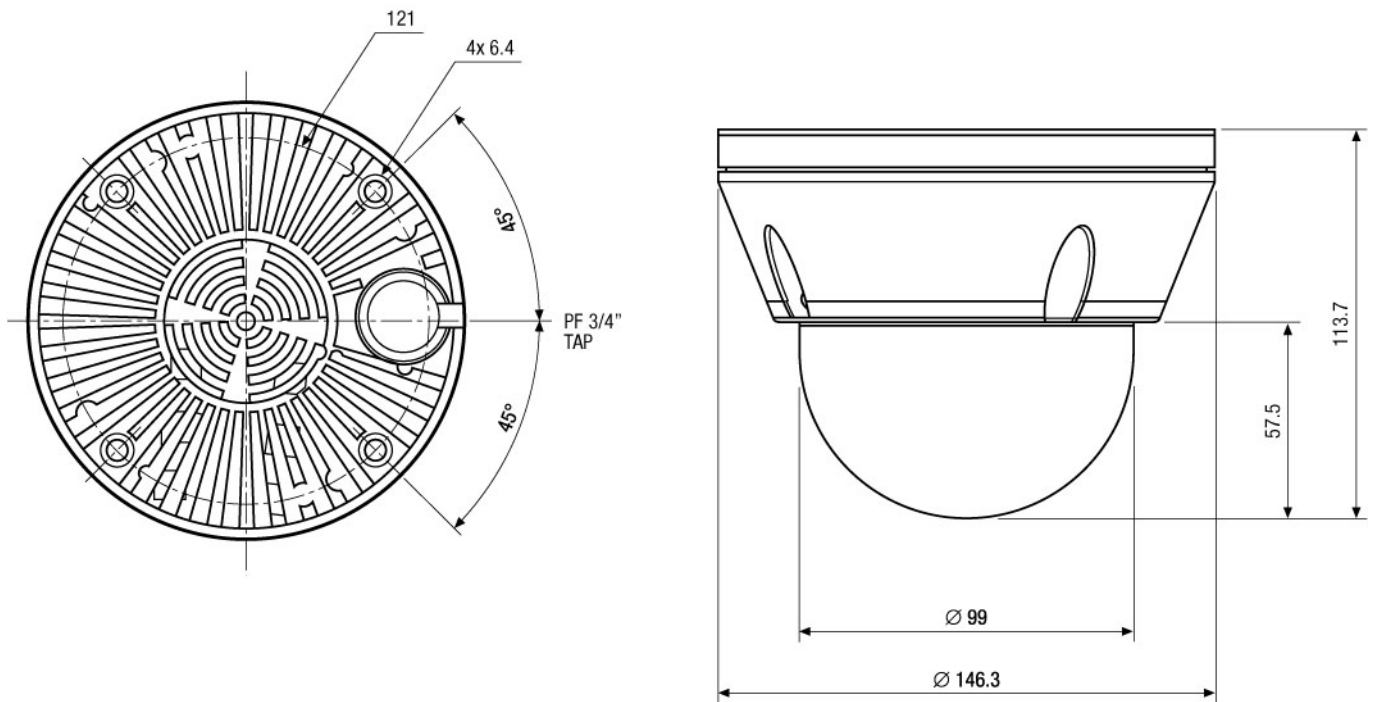
## Optional accessories

70495	VT-PS12DC-7	Plugable PSU w. Cont. & UK Mains plug-in 100-240VAC/12VDC-1.25A, Regulated
70536	VT-PS12DC-9	Plug-in Power Supply Unit 100-240VAC 12VDC (1.0Amp), Regulated, w. open Ends
70527	NE-132/AC24V	Power Supply Unit 230VAC/24VAC (1.0A)
77773	VT-PS12DCDT1	PSU 12VDC/1.0A, Regulated, Desktop Version, 1.8m Cables each w. open ends
92192	VKCD-1410/KB	Remote Controller for VKCD-1410, VKC-1416(A)/IR and NTC-4101
74155	EDMC/CWB-1	Wall or Pendant Mount Kit f. Dome Camera Series EDMC, NTD, NLD, NXD & VKCD-1375

# VKCD-1375

Home | Security | Dome Cameras | Fixed

## Technical drawing



Maße/Dimensions: mm