



VKC-1374/IR

Article-No.: 92555

1/3" Day&Night Camera w. IR Illumination
F1.2/3.8-9.5mm, 550TVL, 12VDC

Mainfeatures

1/3" Sony Super HAD CCD
Sensitivity of 0.5Lux at F1.2 (Colour)
Integrated DC Varifocal Lens F1.2/3.8-9.5mm
Illumination Range: Approx. 20m
Protection Rating: IP65

Removal IR Cut Filter (ICR)
Automatic Gain Control (AGC)
IR Illumination by 18 integral 850nm LEDs
Supply Voltage: 12VDC
For Easy Indoor and Outdoor Installation


Specifications

System	Day&Night
Video standard	CCIR/PAL
Sensor size	1/3"
Imager	CCD
Imager	Sony Super HAD Interline Transfer
Active picture elements	470,000, 795(H) x 596(V)
Synchronization	Internal/AC line lock
Signal-to-noise ratio	50dB (AGC OFF)
Horizontal resolution	550 TVL
Sensitivity (at 50% video signal)	0,5 Lux
Sensitivity (at 50% video signal)	(colour), 0.3Lux (B&W) at F1.2 (measured)
Automatic electronic shutter (ESC)	no
Low Speed Shutter	no
Automatic gain control (AGC)	yes
Digital Noise Reduction (DNR)	no
White balance	automatic
Backlight compensation	no



Specifications (continued)

Wide Dynamic Range (WDR)	no
IR cut filter	switchable
Video outputs	Composite (CVBS)
Lens type	varifocal
Lens	F1.2/F2.0 - 360/3.8 - 9.5mm with galvanometer controlled iris
Focal length	3,8 mm - 9,5 mm
Horizontal angle of view	74,2° - 30°
Iris control	DC
MOD (Minimum object distance)	0,15 m
Filter screw size	not available
Illumination	infrared
Illumination	18x LED's 850nm. Due to an integrated light sensor the LED illumination will be switched ON/OFF, depending from environmental illumination conditions.
Illumination range	approx. 20m (at a good light reflexion and 40% Videosignal)
Serial interfaces	no
External connections	Video (BNC), 2 pin power input
Temperature range (Operation)	-10° ~ +50°C
Housing material	Aluminium
Housing	Outdoor
Integrated wall mount	yes
Hidden cable management	yes
Sunshield	yes
Window heater	no
Clear Shield	no
Colour (housing)	anthracite
Protection rating	IP65
Supply voltage	12VDC
Supply voltage	(+/-10%)
Power consumption	5W
Dimensions (HxWxD)	See drawing
Parts supplied	Camera, Manual, Wall and ceiling mount bracket, Fixing screws
Certificates	CE

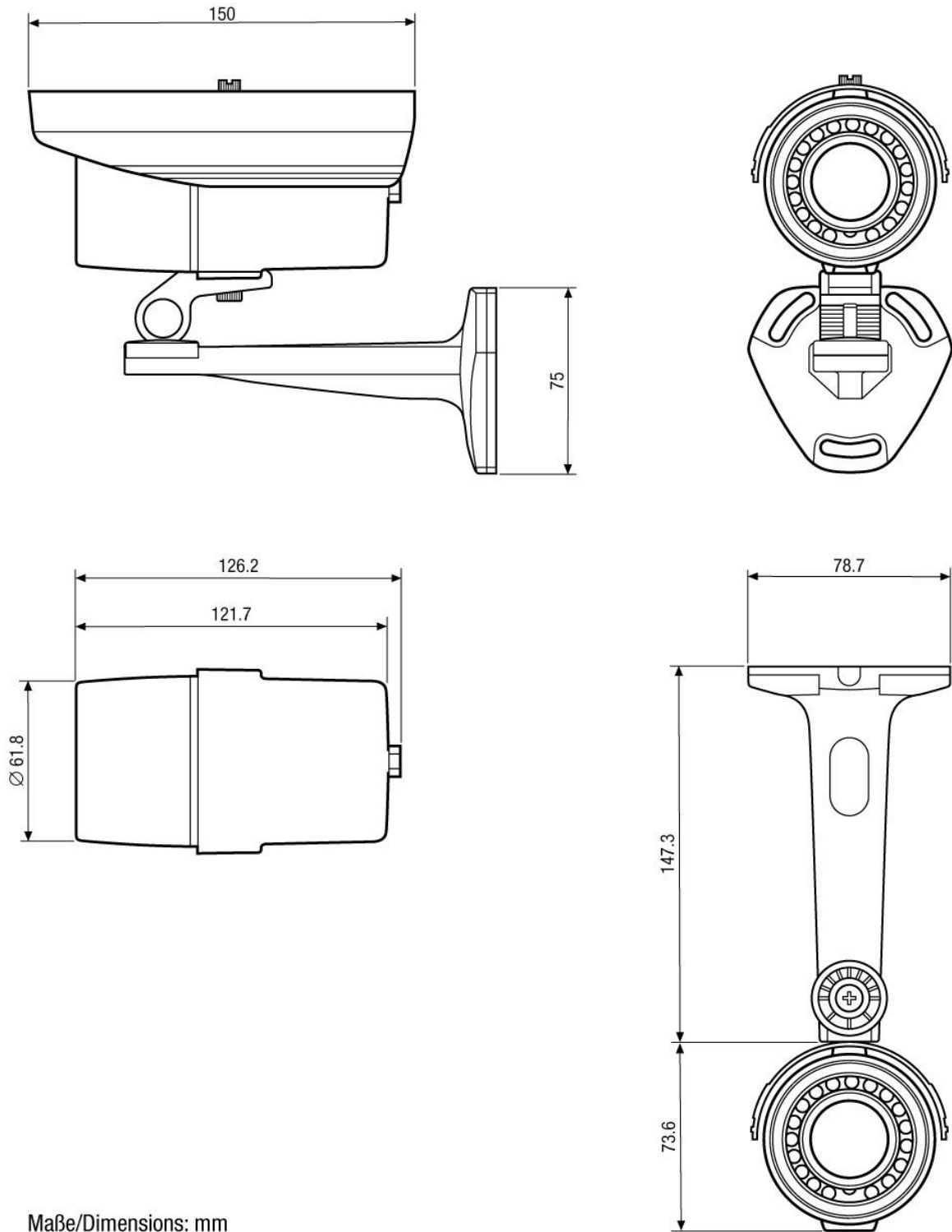
Optional Accessories

Image	Artikel-Nr. / Typ	Description
	VT-PS12DC-8	Plug-in Power Supply Unit 100-240VAC 12VDC (1.0Amp), Regulated, with DC Plug

Optional Accessories (continued)

Image	Artikel-Nr. / Typ	Description
	VT-PS12DCDT1	PSU 12VDC/1.0A, Regulated, Desktop Version, 1.8m Cables each w. open ends
	VT-PS12DC-7	Plugable PSU w. Cont. & UK Mains plug-in 100-240VAC/12VDC-1.25A, Regulated

Technical Drawing



Maße/Dimensions: mm



Your partner for eneo products:

