

VKC-1366

Home | Security | Cameras | Board

VKC-1366
1/3" Board Camera, Colour, 3.6mm, 550TVL, Housing,
12VDC

Art-Nr. 92529



Main Features

CCD Colour Board Camera in Metal Housing
1/3" Sony Super HAD II CCD
Automatic Shutter Control (ESC)
Automatic Gain Control (AGC)
Automatic White Balance (AWB)

Sensitivity of 0.2 Lux (F1.2)
Interchangeable Lens Element
Supply Voltage: 12VDC
Micro Compact Version (25x25mm)

Specifications

System	Colour
Sensor size	1/3"
Imager	CCD, Sony Super HAD Interline Transfer
Active picture elements	440,000 (H) 752 x (V) 582 pixels
Synchronization	Internal
Gamma correction	0.45
Horizontal resolution	550 TVL
Sensitivity (at 50% video signal)	0.2Lux at F1.2, 0.6Lux at F2.0
Automatic electronic shutter (ESC)	1/50 ~ 1/100,000sec.
Low Speed Shutter	no
Automatic gain control (AGC)	yes
Digital Noise Reduction (DNR)	no
White balance	automatic
Backlight compensation	no

VKC-1366

(Continuation Specifications)

Wide Dynamic Range (WDR)	no
Aperture Correction (APC)	Horizontal and vertical
IR cut filter	standard
Video outputs	CVBS
Lens type	fixed focal length
Lens	F2.0/3.6mm w/o. iris
Aspherical technology	n/a
Focal length	3,6 mm
Horizontal angle of view	69°
Iris control	no
Filter screw size	not available
MOD (Minimum object distance)	0,1 m
Illumination	no
Serial interfaces	no
External connections	Video (BNC), 12 VDC (DC socket)
Protection rating	IP40
Supply voltage	12VDC
Power consumption	0.72W
Temperature range (Operation)	-10° ~+50°C
Housing material	Aluminium
Housing	Indoor
Integrated wall mount	no
Hidden cable management	no
Sunshield	no
Window heater	no
Clear Shield	no
Colour (housing)	black
Dimensions (HxWxD)	25x26x28.5mm
Weight	28g
Parts supplied	Camera with U bracket, Connection cable kit, Manual
Certificates	CE

Optional accessories

70535	VT-PS12DC-8	Plug-in Power Supply Unit 100-240VAC 12VDC (1.0Amp), Regulated, with DC Plug
70495	VT-PS12DC-7	Plugable PSU w. Cont. & UK Mains plug-in 100-240VAC/12VDC-1.25A, Regulated
40061	H0820M	F2.0/8mm Board Camera Lens, 1/3" M12X0.5
77773	VT-PS12DCDT1	PSU 12VDC/1.0A, Regulated, Desktop Version, 1.8m Cables each w. open ends

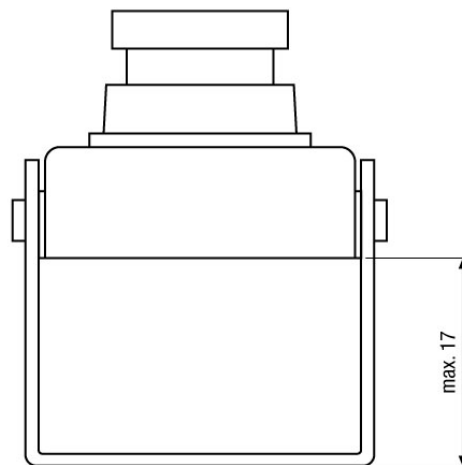
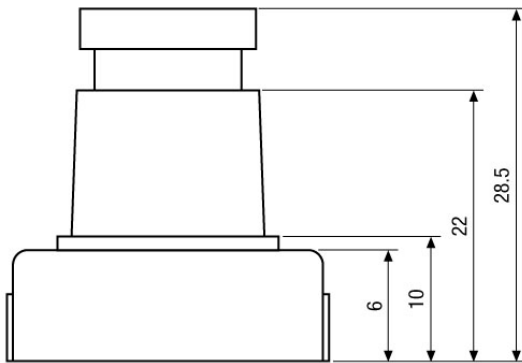
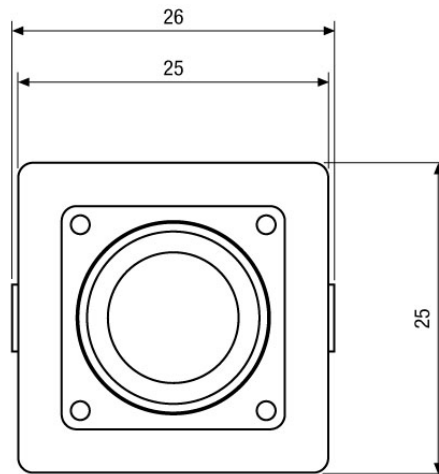
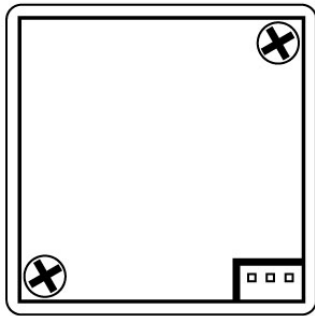
VKC-1366

40059

H0225M

F2.5/2.5mm Board Camera Lens, 1/3" M12X0.5

Technical drawing



Maße/Dimensions: mm