



VKC-1359BIR/W3P

Article-No.: 96103

1/3" Camera, Day&Night, Pixim,
570TVL, 3.8-9.5mm, IR
Illumination, 12/24VAC

Mainfeatures

Weatherproof camera with swivel head bracket
Wide dynamic range: 102dB, 120dB max.
Sensitivity of 0.4Lux (F1.2 / colour)
Digital noise reduction (DNR)
Automatic white balance (ATW)
Fully hidden cable routing/Protection rating: IP67

Digital Pixel System (Pixim Seawolf DSP)
Built-in lens F1.2/3.8-9.5mm with DC iris control
Removable IR cut filter
Adjustable low speed shutter (DSS)
IR illumination by 17 integral 850nm LEDs
Supply voltage: 12VDC or 24VAC

Specifications

System	day&night
Video standard	PAL/NTSC
Sensor size	1/3"
Imager	DPS (Pixim)
Active picture elements	768(H) x 540(V) pixels
Synchronization	Internal/Line-lock
Signal-to-noise ratio	48dB (AGC OFF)
Gamma correction	0.45 (configuration via menu from 0.25-1.0)
Horizontal resolution	570 TVL
Sensitivity (at 50% video signal)	0,4 Lux
Sensitivity (at 50% video signal)	(colour), 0.06Lux (B&W) at F1.2 (measured)
Automatic electronic shutter (ESC)	no
Low speed shutter	yes
Low speed shutter	2 ~ 64 Fps., ON /OFF switchable
Automatic gain control (AGC)	ON/OFF switchable
Digital Noise Reduction (DNR)	yes

Specifications (continued)

Digital Noise Reduction (DNR)	ON/OFF switchable
Flickerless function	ON/OFF switchable
White balance	automatic/manually (2000K - 8000K)
Backlight compensation	no
Wide Dynamic Range (WDR)	yes
Aperture Correction (APC)	horizontal and vertical
Sharpness correction	selectable
IR cut filter	switchable
Video outputs	composite (CVBS)
Lens type	varifocal
Lens	F1.2/F2.0-360 / 3.8-9.5mm with galvanometer controlled iris
Focal length	3,8 mm - 9,5 mm
PTZ support	yes
Digital zoom	2 ~ 12x, D-PTZ support
Horizontal angle of view	30° - 74,2°
Iris control	DC
MOD (Minimum object distance)	0,15 m
Illumination	infrared
Illumination	17 LEDs 850nm. Integrated light sensor for On/Off switching of the illumination
Illumination range	approx. 35m (at a good light reflexion and 40% Videosignal)
OSD function control	Preset, Exposure, D&N, Picture Control, Lens Select (manual/DC), Mirror function (H+V), Synchronization, Shutter mode
Activity detection	yes
Motion detector	4 zones, ON/OFF switchable
Privacy zones masking	6 zones masking, ON/OFF switchable
Serial interfaces	no
Cable connection	Video (BNC), Power 12VDC or 24VAC (2 pin terminal)
Kind of mounting	Integrated wall mount with ball joint
Mounting	wall mount, flush mount, ceiling mount
Mounting	wall or ceiling*)
Temperature range (operation)	-20°C ~ +50°C
Housing material	aluminium
Housing	outdoor
Integrated wall mount	yes
Hidden cable management	yes
Window screen	acrylic glass (clear)
Sunshield	no
Window heater	no
Colour (housing)	Pantone 7541
Vandalism resistant	no
Protection rating	IP67
Alarm inputs	-
Alarm outputs	-
Supply voltage	12VDC, 24VAC
Supply voltage	(10.5 ~ 30VDC, 12 ~ 29VAC)
Power consumption	10.0watts max.

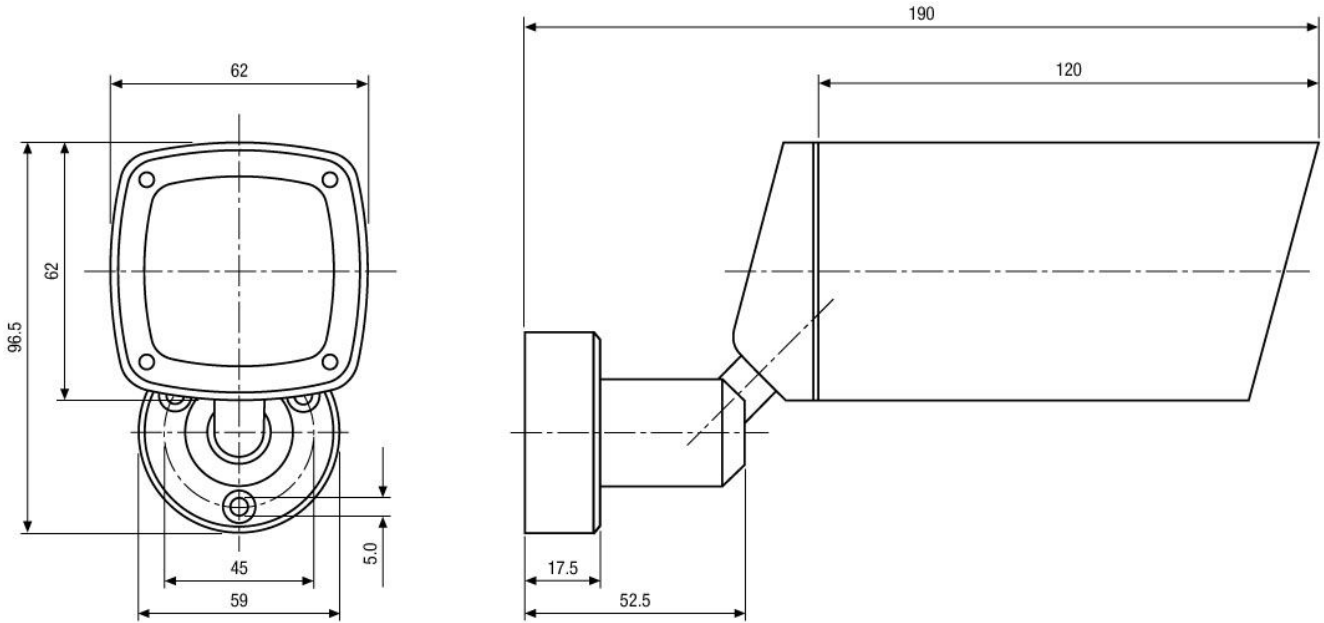
Specifications (continued)

Dimensions (HxWxD)	see drawing
Weight	approx. 1.0kg
Parts supplied	Camera, Manual, "Easy installation" adapter cable, Heat shrink tube
Certificates	CE

Optional Accessories

Image	Artikel-Nr. / Typ	Description
	VT-PS12DCDT1	PSU 12VDC/1.0A, Regulated, Desktop Version, 1.8m Cables each w. open ends
	VT-PS12DC-7	Plugable PSU w. Cont. & UK Mains plug-in 100-240VAC/12VDC-1.25A, Regulated
	NE-132/AC24V	Power Supply Unit 230VAC/24VAC (1.0A)
	VT-PS12DC-10	Plugable AC/DC Adapter 100-240V/12VDC- 2.5A, stab., Cont. & UK Mains plug-ins
	W3 INST-KIT1	Installation Kit for W3 Housings with Hidden Junction Boxes
	PM-42	Pole Mount Adapter, for Housing Series Candid, W3 Plug&Play

Technical Drawing



Maße/Dimensions: mm

Your partner for eneo products:

