

# VKC-1358A/IR922

Home | Security | Cameras | Plug & Play

VKC-1358A/IR922  
1/3" Camera, Day&Night, IR Illumination,  
F1.4/9-22mm, 550TVL, 12VDC/24VAC

**Art-Nr. 92553**



## Main Features

1/3" Sony Super HAD II CCD	Externally Adjustable Focus & Zoom by Rings
Sensitivity of 0.44 Lux at F1.2 (Colour)	IR Illumination by 42 integral 850nm LEDs
Automatic Gain Control (AGC)	Illumination Range: approx. 45m
Automatic White Balance (AWB/ATW)	Supply Voltage: 12VDC or 24VAC
Integral Varifocal Lens F1.4/9-22mm	Fully Hidden Cable Routing/Protection Rating: IP66
DC Iris Control / Removable IR Cut Filter	For Wall and Ceiling Mount

## Specifications

System	day&night
Video standard	CCIR/PAL
Sensor size	1/3"
Imager	CCD, Sony Super HAD II Interline Transfer
Active picture elements	440,000, 752(H) x 582(V)
Synchronization	Internal/AC line lock
Signal-to-noise ratio	48dB
Gamma correction	0.45
Horizontal resolution	550 TVL, (colour), 580 TVL (B&W)
Sensitivity (at 50% video signal)	0.44Lux at F1.2 (colour), 0.11Lux (B&W), Videor measurement result
Low Speed Shutter	no
Automatic gain control (AGC)	Included
Digital Noise Reduction (DNR)	no

# VKC-1358A/IR922

(Continuation Specifications)

<b>Flickerless function</b>	Supplied
<b>White balance</b>	AWB/ATW selectable
<b>Backlight compensation</b>	no
<b>Wide Dynamic Range (WDR)</b>	no
<b>Aperture Correction (APC)</b>	Horizontal and vertical
<b>IR cut filter</b>	switchable
<b>Video outputs</b>	CVBS
<b>Lens type</b>	varifocal
<b>Lens</b>	F1,4 ~270/9 ~22mm with galvanometer driven iris
<b>Aspherical technology</b>	yes
<b>Focal length</b>	9 mm - 22 mm
<b>Horizontal angle of view</b>	30,6° - 13°
<b>Iris control</b>	DC
<b>Filter screw size</b>	not available
<b>MOD (Minimum object distance)</b>	0,2 m
<b>Illumination</b>	infrared, 42 LEDs 850nm. Integrated light sensor for On/Off switching of the illumination
<b>Illumination range</b>	approx. 45m (at a good light reflexion and 40% Videosignal)
<b>Serial interfaces</b>	no
<b>External connections</b>	Video (BNC), 2 pin power input
<b>Cable connection</b>	Wiring for video and voltage supply made, accessible from outside (1.8m)
<b>Kind of mounting</b>	Integrated wall mount with ball joint
<b>Protection rating</b>	IP66
<b>Supply voltage</b>	12VDC, 24VAC, (+/-10%)
<b>Power consumption</b>	approx. 10watts
<b>Temperature range (Operation)</b>	-10° ~+50°C
<b>Housing material</b>	Aluminium
<b>Housing</b>	Outdoor
<b>Integrated wall mount</b>	yes
<b>Hidden cable management</b>	yes
<b>Sunshield</b>	yes
<b>Window heater</b>	no
<b>Clear Shield</b>	no
<b>Colour (housing)</b>	silver grey
<b>Dimensions (HxWxD)</b>	See drawing
<b>Weight</b>	1.0kg
<b>Parts supplied</b>	3mm Allen key, Bag of fixing screws
<b>Certificates</b>	CE

## Optional accessories

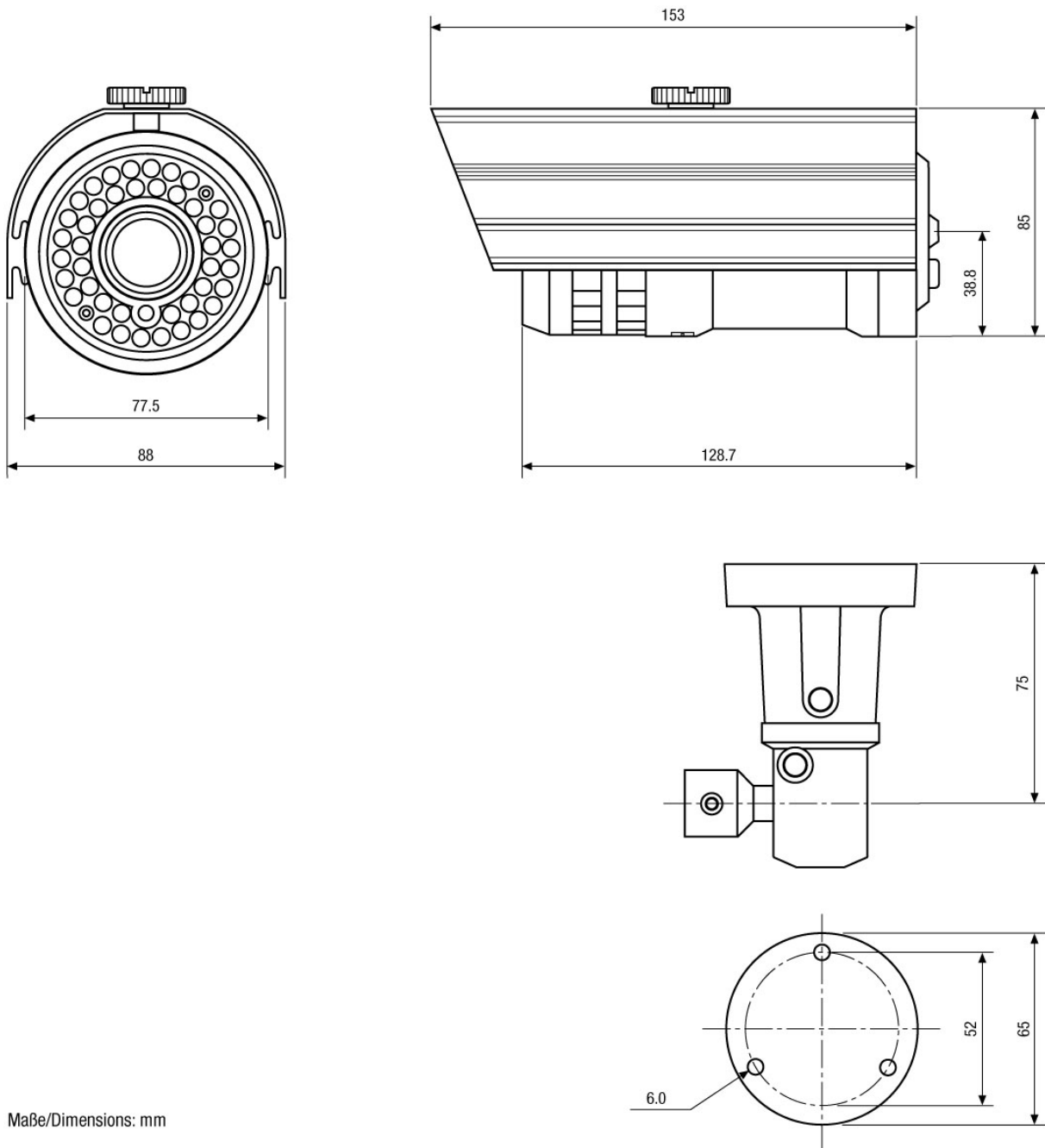
## VKC-1358A/IR922

70527	NE-132/AC24V	Power Supply Unit 230VAC/24VAC (1.0A)
70495	VT-PS12DC-7	Plugable PSU w. Cont. & UK Mains plug-in 100-240VAC/12VDC-1.25A, Regulated
77773	VT-PS12DCDT1	PSU 12VDC/1.0A, Regulated, Desktop Version, 1.8m Cables each w. open ends

# VKC-1358A/IR922

Home | Security | Cameras | Plug & Play

## Technical drawing



Maße/Dimensions: mm