

VKC-1358A/IR

Home | Security | Cameras | Plug & Play

VKC-1358A/IR
1/3" Camera, Day&Night, F1.2/3.8-9.5mm, 550TVL,
IR Illumination, 12VDC/24VAC

Art-Nr. 92552



Main Features

1/3" Sony Super HAD II CCD	Externally Adjustable Focus & Zoom by Rings
Sensitivity of 0.44 Lux at F1.2 (Colour)	IR Illumination by 42 integral 850nm LEDs
Automatic Gain Control (AGC)	Illumination Range: approx. 45m
Automatic White Balance (AWB/ATW)	Supply Voltage: 12VDC or 24VAC
Integral Varifocal Lens F1.2/3.8-9.5mm	Fully Hidden Cable Routing/Protection Rating: IP66
DC Iris Control / Removable IR Cut Filter	For Wall and Ceiling Mount

Specifications

System	day&night
Video standard	CCIR/PAL
Sensor size	1/3"
Imager	CCD, Sony Super HAD II Interline Transfer
Active picture elements	440,000, 752(H) x 582(V)
Synchronization	Internal/AC line lock
Signal-to-noise ratio	48dB
Gamma correction	0.45
Horizontal resolution	550 TVL, (colour), 580 TVL (B&W)
Sensitivity (at 50% video signal)	0.44Lux at F1.2 (colour), 0.11Lux (B&W), Videor measurement result
Low Speed Shutter	no
Automatic gain control (AGC)	Included
Digital Noise Reduction (DNR)	no

VKC-1358A/IR

(Continuation Specifications)

Flickerless function	Supplied
White balance	AWB/ATW selectable
Backlight compensation	no
Wide Dynamic Range (WDR)	no
Aperture Correction (APC)	Horizontal and vertical
IR cut filter	switchable
Video outputs	CVBS
Lens type	varifocal
Lens	F1.2/F2.0 ~360/3.8 ~9.5mm with galvanometer controlled iris
Aspherical technology	yes
Focal length	3,8 mm - 9,5 mm
Horizontal angle of view	74,2° - 30°
Iris control	DC
Filter screw size	not available
MOD (Minimum object distance)	0,15 m
Illumination	infrared, 42 LEDs 850nm. Integrated light sensor for On/Off switching of the illumination
Illumination range	approx. 45m (at a good light reflexion and 40% Videosignal)
Serial interfaces	no
External connections	Video (BNC), 2 pin power input
Cable connection	Wiring for video and voltage supply made, accessible from outside (1.8m)
Kind of mounting	Integrated wall mount with ball joint
Protection rating	IP66
Supply voltage	12VDC, 24VAC, (+/-10%)
Power consumption	approx. 10watts
Temperature range (Operation)	-10° ~+50°C
Housing material	Aluminium
Housing	Outdoor
Integrated wall mount	yes
Hidden cable management	yes
Sunshield	yes
Window heater	no
Clear Shield	no
Colour (housing)	silver grey
Dimensions (HxWxD)	See drawing
Weight	1.0kg
Parts supplied	3mm Allen key, Bag of fixing screws
Certificates	CE

Optional accessories

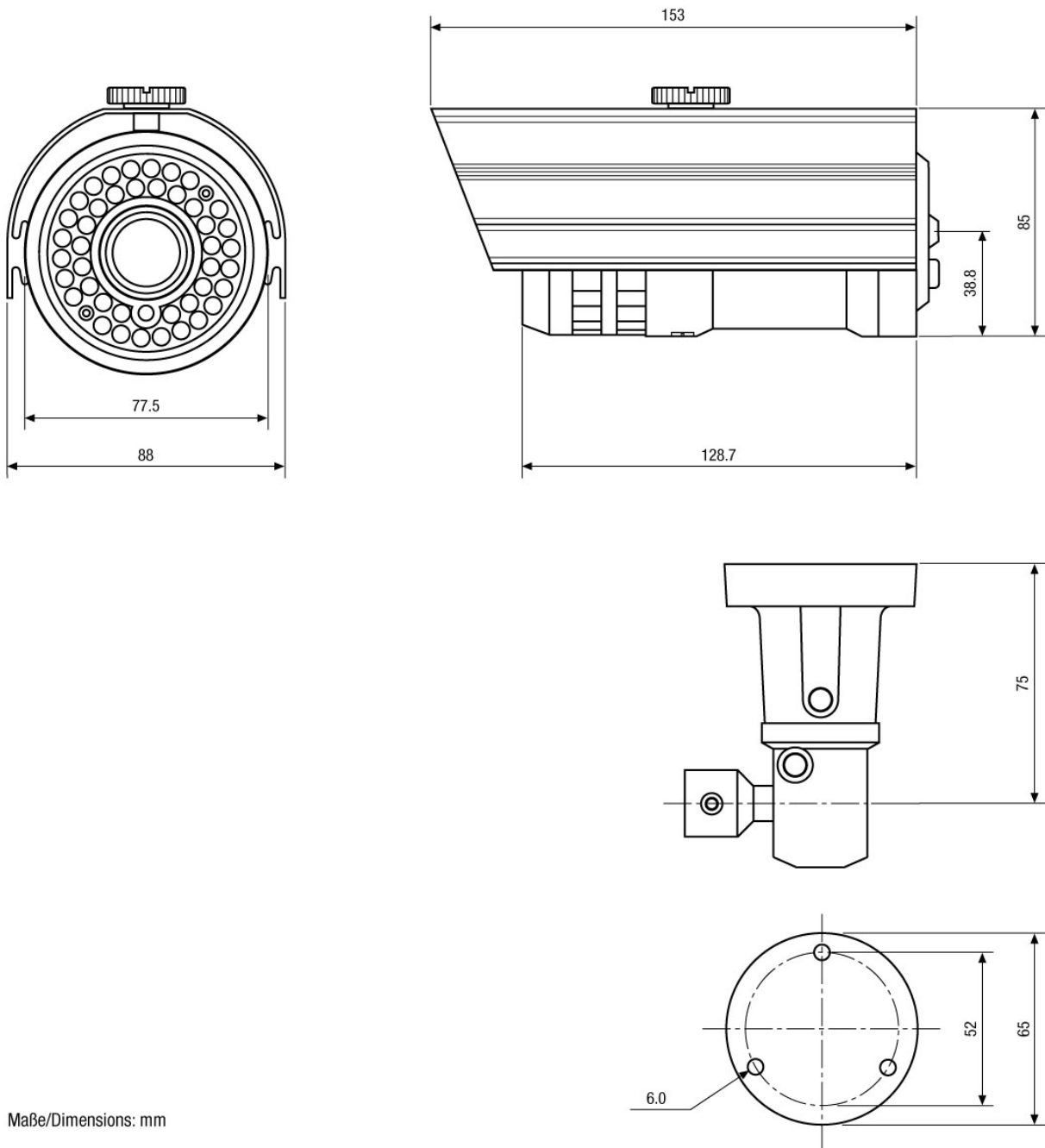
VKC-1358A/IR

70527	NE-132/AC24V	Power Supply Unit 230VAC/24VAC (1.0A)
70495	VT-PS12DC-7	Plugable PSU w. Cont. & UK Mains plug-in 100-240VAC/12VDC-1.25A, Regulated
77773	VT-PS12DCDT1	PSU 12VDC/1.0A, Regulated, Desktop Version, 1.8m Cables each w. open ends

VKC-1358A/IR

Home | Security | Cameras | Plug & Play

Technical drawing



Maße/Dimensions: mm