

# Video Security

Cameras | Day/Night Cameras

## VKC-1358/IR

1/3" Day&Night Camera w. IR Illumination  
F1.2/3.8-9.5mm, 550TVL, 12VDC/24VAC

Art-No. 92136



## Features

1/3" Sony ExView HAD CCD Sensor  
Sensitivity of 0.55 Lux at F1.2 (Colour)  
Automatic Gain Control (AGC)  
Automatic White Balance (AWB/ATW)  
Integral Varifocal Lens F1.2/3.8-9.5mm  
DC Iris Control / Removable IR Cut Filter

Externally Adjustable Focus & Zoom by Rings  
IR Illumination by 42 Integral 850nm LEDs  
Illumination Range: approx. 35m  
Supply Voltage 12VDC/24VAC  
Fully Hidden Cable Routing/Protection Rating IP66  
For Wall and Ceiling Mount

## Specifications

System	day&night
Video standard	CCIR/PAL
Imager	CCD, Sony ExView HAD Interline Transfer CCD
Sensor size	1/3"
Active picture elements	approx. 440,000, 752(H) x 582(V)
Signal processing	Digital (DSP)
Synchronization	Internal/AC line lock
Signal-to-noise ratio	48dB (AGC Off)
Sensitivity (at 50% video signal)	0,55Lux, at F1.2 (color), 0.23Lux (B&W), VT measurement result
Horizontal resolution	(colour), 580 TVL (B&W)
Integration rate	no
Automatic gain control (AGC)	Included
Backlight compensation	no
Aperture Correction (APC)	Horizontal and vertical
White balance	AWB/ATW selectable

## VKC-1358/IR

(Specifications continued)

<b>IR cut filter</b>	yes, Motorized, switchable filter. Automatic function depend on the amount of light, or fixed on "Day" or "Night" mode (Menu, controlled)
<b>Mount</b>	n/a
<b>Lens</b>	F1.2/F2.0 ~ 360/3.8 ~ 9.5mm with galvanometer controlled iris
<b>Application range</b>	day/night, security
<b>Nominal format size</b>	1/3"
<b>Aspherical technology</b>	yes
<b>Focal length</b>	3,8-9,5mm
<b>Horizontal angle of view</b>	74,2-30°
<b>Focus range</b>	0.15m ~ ?
<b>Zoom function</b>	Manual from outside
<b>Focus control</b>	Manual from outside
<b>Iris control</b>	DC, Auto iris controlled
<b>Lens mount</b>	integrated lens
<b>Illumination</b>	42 LEDs 850nm. Integrated light sensor for On/Off switching of the illumination
<b>Illumination range</b>	approx. 35m (at a good light reflexion and 40% Videosignal)
<b>External connections</b>	Video (BNC), 2-pin Power input
<b>Video outputs (type)</b>	CVBS, VBS
<b>Video outputs</b>	1Vp-p, (C)VBS, 75ohms, BNC
<b>Serial interfaces</b>	no
<b>Kind of mounting</b>	Integrated wall mount with ball joint
<b>Supply voltage</b>	12VDC, 24VAC, (+/-10%)
<b>Power consumption</b>	approx. 10watts
<b>Temperature range (Operation)</b>	-10° ~ +50°C
<b>Humidity range</b>	10% ~ 85% non-condensing
<b>Protection rating</b>	IP66
<b>Housing</b>	Plastic
<b>Sunshield</b>	Yes
<b>Cable connection</b>	Wiring for video and voltage supply made, accessible from outside (1.8m)
<b>Hidden Cable Management Support</b>	Supplied
<b>Colour</b>	Silver grey
<b>Dimensions (HxWxD)</b>	See drawing
<b>Parts supplied</b>	Camera, Manual

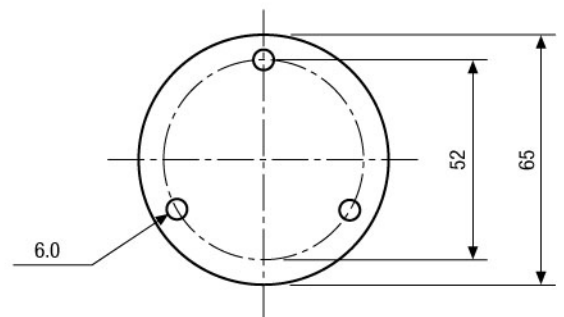
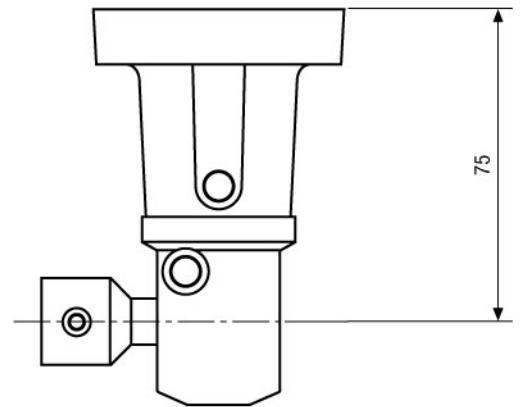
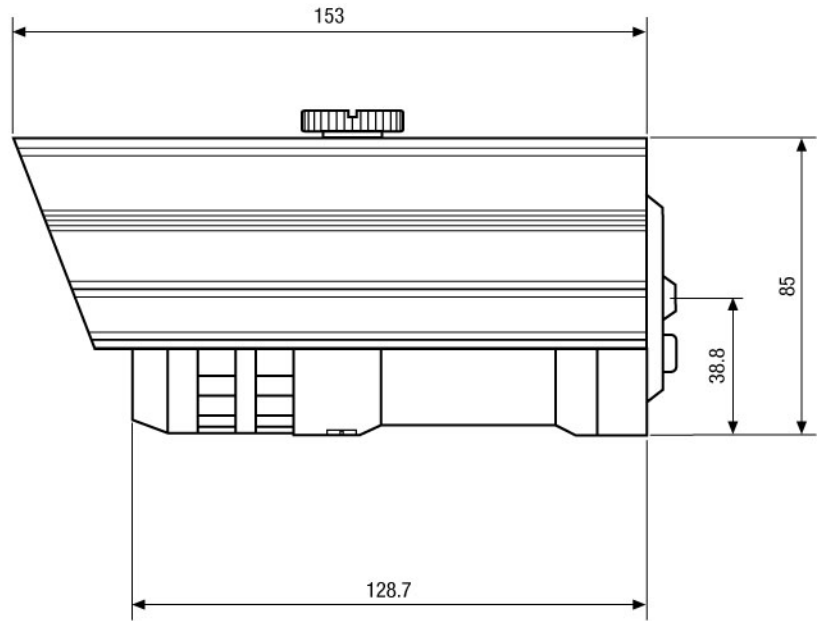
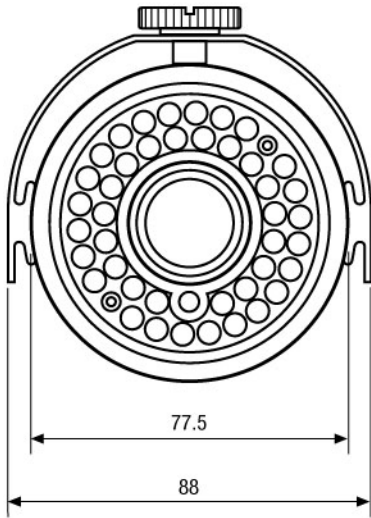
## Accessories

70527 / NE-132/AC24V

Power Supply Unit 230VAC/24VAC (1.0A)

70449 / NE-128

Voltage supply unit 230V/24VAC-5A, IP66



Maße/Dimensions: mm

VIDEOR TECHNICAL E. Hartig GmbH  
 Carl-Zeiss-Straße 8 · 63322 Rödermark · Germany  
 Telefon +49 (0) 60 74/8 88-0 · Telefax +49 (0) 60 74/8 88-100  
 info@videortechnical.com · www.videortechnical.com