



## VKC-1357B

Article-No.: 92753

1/3" Camera, Day&Night, Pixim,  
WDR, 570TVL, 12VDC/24VAC, C/CS  
Mount

### Mainfeatures

Superior images even in harsh backlight conditions  
Wide dynamic range (WDR): 102dB, 120dB max.  
Sensitivity of 0.4 Lux (F1.2 / colour)  
Automatic gain control (AGC)  
On-screen menu control  
Supply voltage: 12VDC or 24VAC

Digital Pixel System (DPS)  
Removable IR cut filter  
Digital noise reduction (DNR)  
Automatic and manual white balance (ATW)  
Motion detection with 4 zones  
Supply voltage: 12VDC or 24VAC

### Specifications

System	day&night
Video standard	PAL/NTSC
Sensor size	1/3"
Imager	DPS (Pixim)
Active picture elements	768(H) x 540(V) pixels
Horizontal resolution	570 TVL
Synchronization	Internal/Line-lock
Signal-to-noise ratio	48 db (AGC OFF)
Gamma correction	0.45 (configuration via menu from 0.25-1.0)
Sensitivity (at 50% video signal)	0,4 Lux
Sensitivity (at 50% video signal)	(colour), 0.06Lux (B&W) at F1.2 (measured)
Automatic gain control (AGC)	supplied
Automatic electronic shutter (ESC)	no
Low speed shutter	yes
Digital Noise Reduction (DNR)	yes
Digital Noise Reduction (DNR)	3D

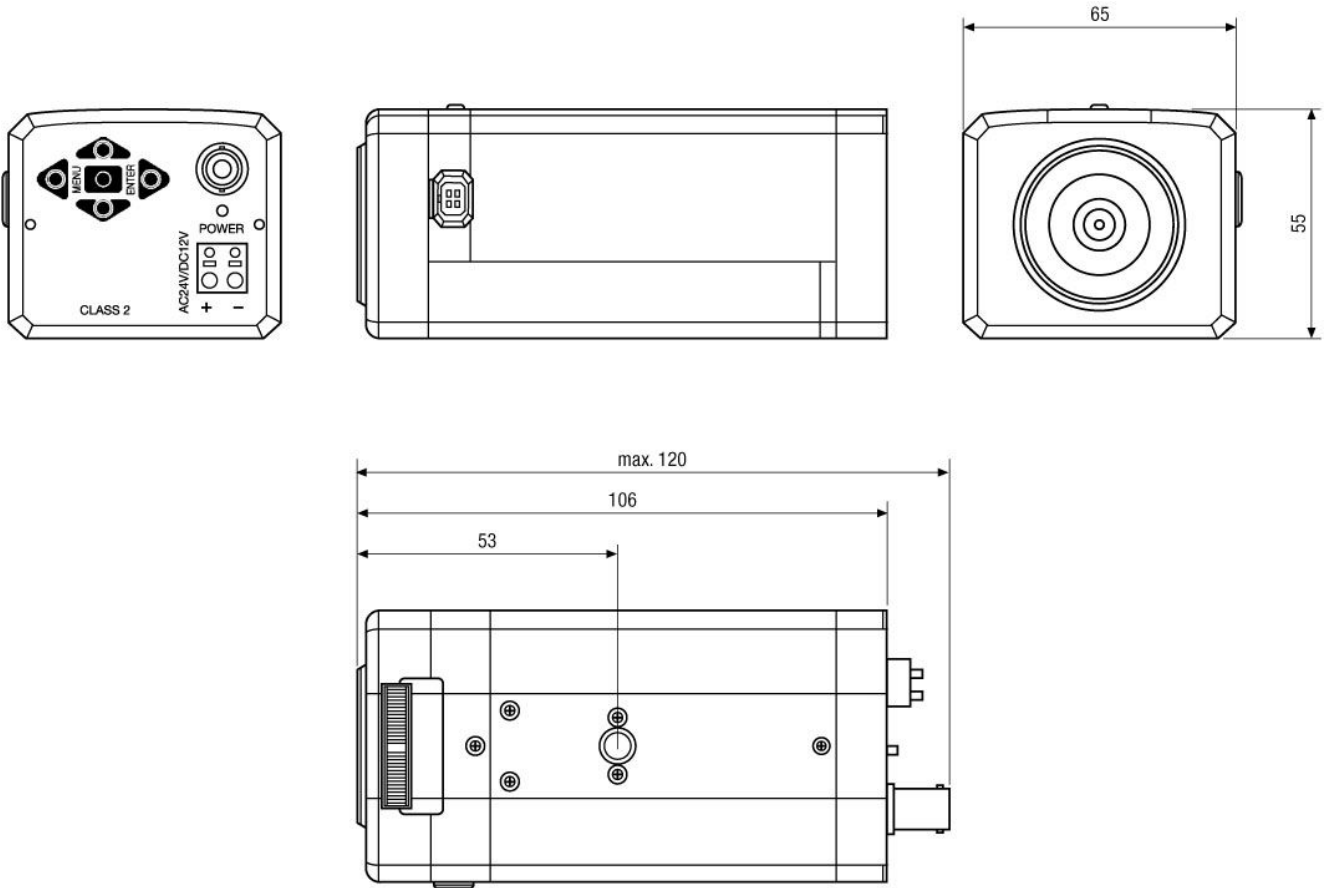
## Specifications (continued)

Backlight compensation	no
Wide Dynamic Range (WDR)	WDR
White balance	automatic (2000K - 8000K)
Aperture Correction (APC)	horizontal and vertical
IR cut filter	switchable
Day/Night switching	automatic and manual
Privacy zones masking	6 zones masking, ON/OFF switchable
OSD function control	Preset, Exposure, D&N, Picture Control, Lens Select (manual/DC), Mirror function (H+V), Synchronization, Shutter mode
Activity detection	yes
Motion detector	4 zones, ON/OFF switchable
Digital zoom	2 - 12x, D-PTZ support
e-PTZ support	yes
Lens mount	CS mount
Iris control	DC controlled
Auto exposure	Automatic/Manual Shutter/AGC
Illumination	no
External adjustments	Menu, Cursor Up/Down/Left/Right, Flange focus
Video outputs	composite (CVBS)
Video outputs	1Vp-p, (C)VBS, PAL/NTSC, 75ohms, BNC
External connections	DC Iris control (4 pin), Video (BNC), Power input
Serial interfaces	no
Camera mount	1/4" - 20 UNC thread on top and bottom
Alarm inputs	no
Alarm outputs	no
Supply voltage	12VDC, 24VAC
Supply voltage	10 - 30VDC, 15 - 29VAC
Power consumption	approx. 5,0W
Housing	indoor
Colour	Pantone Cool Gray 3C
Hidden cable management	no
Vandalism resistant	no
Protection rating	n/a
Temperature range (operation)	-10°C ~ +50°C
Dimensions (HxWxD)	55x65x106mm
Weight	420 g
Parts supplied	4-pin lens plug, C mount ring, manual

## Optional Accessories

Image	Artikel-Nr. / Typ	Description
	VT-PS12DCDT1	PSU 12VDC/1.0A, Regulated, Desktop Version, 1.8m Cables each w. open ends
	VT-PS12DC-7	Plugable PSU w. Cont. & UK Mains plug-in 100-240VAC/12VDC-1.25A, Regulated
	WD-22	Wall Mount Bracket with Ball Joint, 1/4" Camera Fixing Screw, Beige Grey
	WD-23	Wall Mount Bracket with Ball Joint, 1/4" Camera Fixing Screw, Pantone 877
	WD-18	Wall Mount with Ball Joint, 1/4" Camera Fixing Screw, beige Grey
	VT-PS12DC-9	Plug-in Power Supply Unit 100-240VAC 12VDC (1.0Amp), Regulated, w. open Ends

## Technical Drawing



Maße/Dimensions: mm

Your partner for eneo products:

