

Video Security

Cameras | Day/Night Cameras

VKC-1353/IR

1/3" Day/Night Camera w. IR Illumination
F1.2/3.8-9.5mm, 550TVL, 12VDC/24VAC

Art-No. 92098



Features

1/3" Sony Super HAD CCD Sensor
Removable IR Cut Filter
Automatic Gain Control (AGC)
Backlight Compensation (BLC) /Flickerless Function
Super Digital Noise Reduction (SDNR)
Low-Speed Shutter Control (DSS)

Integral Varifocal Lens F1.2/3.8-9.5mm
Auto-Iris Control
Automatic White Balance (AWB)
IR Illumination by 7 integrated 850nm LED`s
Illumination Range: Approx. 10m
Supply Voltage 12VDC/24VAC

Specifications

System	CCIR/PAL, day&night
Imager	CCD, 1/3" Sony Super HAD Interline Transfer CCD
Sensor size	1/3"
Active picture elements	Approx. 440,000 (H) 752 x (V) 582
Signal processing	Digital (DSP)
Line-lock synchronisation	-
Synchronization	Internal
Signal-to-noise ratio	46db (AGC OFF)
Sensitivity (at 50% video signal)	0,46Lux, (colour), 0.31Lux (B&W). VT measurement result at F1.2
Horizontal resolution	550TVL
Automatic shutter control (AES)	1/50 ~ 1/10,000sec.
Integration rate	yes
Automatic gain control (AGC)	Included
Backlight compensation	BLC, ON/OFF switchable
Aperture Correction (APC)	Horizontal and vertical
White balance (AWB)	Automatic
IR cut filter	no

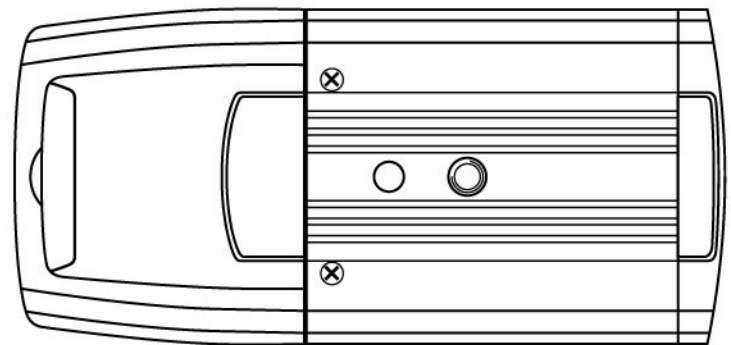
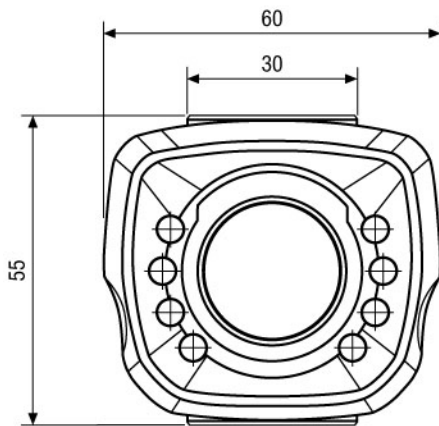
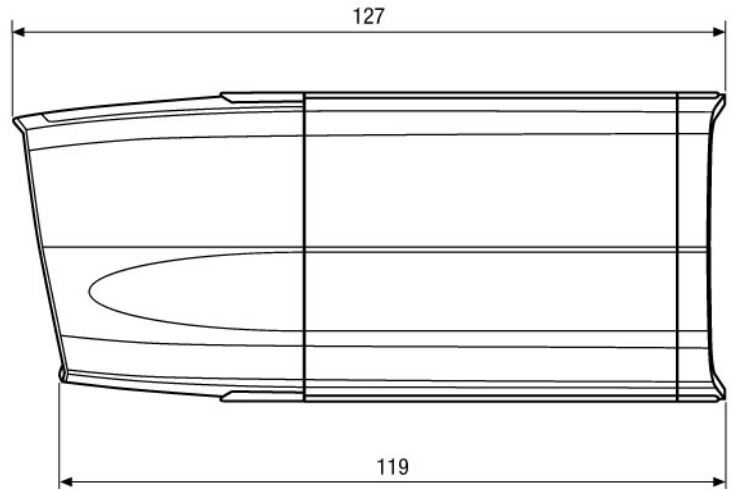
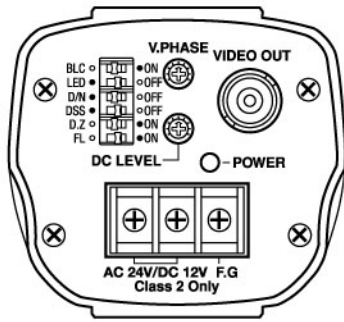
VKC-1353/IR

(Specifications continued)

Flickerless function	On/Off switchable
Mount	n/a
Lens	F1.2/F2.0~360 / 3.8~9.5mm with galvanometer controlled iris
Application range	day/night, security
Nominal format size	1/3"
Aspherical technology	yes
Focal length	3,8-9,5mm
Horizontal angle of view	74,2-30°
Focus range	0.15m ~ ?
Iris control	DC, Automatic
Lens mount	integrated lens
Illumination	7x LED's 850nm at 30° hor. illumination angle. Due to an integrated light sensor the LED illumination will be switched ON/OFF, depending on environmental illumination conditions
Illumination range	Approx. 5m (at a good light reflexion and 40% Videosignal)
External adjustments	LED, BLC, Flickerless (ON/OFF), Level for the DC controlled lens, D&N switching level (Hi/Low), T/W Push buttons for digital zoom
External connections	Video (BNC), Power input
Video outputs (type)	CVBS, VBS
Video outputs	1Vp-p, (C)VBS, 75ohms, BNC
Serial interfaces	no
Camera mount	1/4" - 20 UNC thread on top and bottom
Supply voltage	12VDC, 24VAC
Power consumption	4.2watts max.
Temperature range (Operation)	-10° ~ +50°C
Humidity range	10% ~ 85% non-condensing
Colour	Silver grey
Dimensions (HxWxD)	See drawing
Weight	approx. 420g

Accessories

70769 / WD-22	Wall Mount Bracket with Ball Joint, 1/4" Camera Fixing Screw, Beige Grey
70697 / WD-21/RAL9006	Wall Mount Bracket with Ball Joint, 1/4" Camera Fixing Screw, RAL9006
70771 / WD-23	Wall Mount Bracket with Ball Joint, 1/4" Camera Fixing Screw, Pantone 877
70448 / VT-PS12DC-6	Plug-in Power Supply Unit 100-240VAC 12VDC (1.0Amp), Regulated, w. open Ends
77773 / VT-PS12DCDT1	PSU 12VDC/1.0A, Regulated, Desktop Version, 1.8m Cables each w. open ends



Maße/Dimensions: mm

VIDEOR TECHNICAL E. Hartig GmbH
 Carl-Zeiss-Straße 8 · 63322 Rödermark · Germany
 Telefon +49 (0) 60 74/8 88-0 · Telefax +49 (0) 60 74/8 88-100
 info@videortechnical.com · www.videortechnical.com

