



VKC-1348/CM2

Article-No.: 92322

1/3" Day&Night Camera with Corner Mount
Housing, F1.2/3.8-9.5mm, 12VDC, 540TVL

Mainfeatures

1/3" Super HAD CCD
Built-in DC Iris Lens F1.2/3.8-9.5mm
Automatic Shutter Control (AES)
Backlight Compensation (BLC)
Supply Voltage: 12VDC

Sensitivity of 0.25Lux (at F1.2) at B&W
Removable IR Cut Filter
Automatic Gain Control (AGC)
Automatic White Balance (AWB)
Vandal & Tamper Resistant Housing

Specifications

System	day&night
Video standard	PAL
Sensor size	1/3"
Imager	CCD
Imager	Sony Super HAD Interline Transfer
Synchronization	Internal
Signal-to-noise ratio	48dB
Horizontal resolution	540 TVL
Sensitivity (at 50% video signal)	0.25Lux at F1.2 (B&W). Videor measurement result
High-speed shutter (ESC)	1/50 ~ 1/100,000sec.
Integration rate	no
Automatic gain control (AGC)	28dB (AGC OFF)
Digital Noise Reduction (DNR)	no
White balance (ATW)	2000 ~ 8000K, Automatic tracking
Backlight compensation	BLC
Backlight compensation	Center weighted
IR cut filter	switchable



Specifications (continued)

Internal adjustments	-
Video outputs (type)	CVBS
Video output	1 Vp-p, (C)VBS, 75 ohms, BNC
Lens type	varifocal
Lens	F1.2/F2.0 ~ 360/3.8 ~ 9.5mm with galvanometer controlled iris
Lens mount	integrated lens
Aspherical technology	yes
Focal length	3,8 mm - 9,5 mm
Horizontal angle of view	74,2° - 30°
Iris control	DC
Focus range	0.15m ~ 8
Filter screw size	not available
MOD (Minimum object distance)	0,15 m
Serial interfaces	no
External connections	Wiring for video and voltage supply made, accessible from outside (1.5m long, Video: BNC jack 12V input: for DC plug 2.1/5.5mm)
Protection rating	IP66
Supply voltage	12VDC
Supply voltage	(9 ~ 18VDC, 12VDC +/-20% recommended)
Power consumption	3.0watts
Temperature range (Operation)	-10° ~ +50°C
Housing material	Aluminium
Housing	Outdoor
Integrated wall mount	-
Hidden cable management	no
Window screen	PC (Lexan)
Sunshield	no
Window heater	no
Clear Shield	no
Colour (housing)	Pantone Cool Gray 1C
Dimensions (HxWxD)	See drawing
Weight	800g
Parts supplied	Camera, Tamper resistant Torx key, Mounting screw set, Heat shrink tube, Manual
Certificates	CE
Video standard	PAL
System	day&night
Sensor size	1/3"
Imager	CCD
Imager	Sony Super HAD Interline Transfer
Synchronization	Internal
Signal-to-noise ratio	48dB
Horizontal resolution	540 TVL
Sensitivity (at 50% video signal)	0.25Lux at F1.2 (B&W). Videor measurement result
High-speed shutter (ESC)	1/50 ~ 1/100,000sec.
Integration rate	no
Digital Noise Reduction (DNR)	no


Specifications (continued)

Automatic gain control (AGC)	28dB (AGC OFF)
Backlight compensation	BLC
Backlight compensation	Center weighted
White balance (ATW)	2000 ~ 8000K, Automatic tracking
IR cut filter	switchable
Lens	F1.2/F2.0 ~ 360/3.8 ~ 9.5mm with galvanometer controlled iris
Lens mount	integrated lens
Lens type	varifocal
Video outputs (type)	CVBS
Video output	1 Vp-p, (C)VBS, 75 ohms, BNC
Internal adjustments	-
External connections	Wiring for video and voltage supply made, accessible from outside (1.5m long, Video: BNC jack 12V input: for DC plug 2.1/5.5mm)
Serial interfaces	no
Window screen	PC (Lexan)
Protection rating	IP66
Hidden cable management	no
Supply voltage	12VDC
Supply voltage	(9 ~ 18VDC, 12VDC +/-20% recommended)
Power consumption	3.0watts
Temperature range (Operation)	-10° ~ +50°C
Dimensions (HxWxD)	See drawing
Weight	800g
Parts supplied	Camera, Tamper resistant Torx key, Mounting screw set, Heat shrink tube, Manual
Certificates	CE

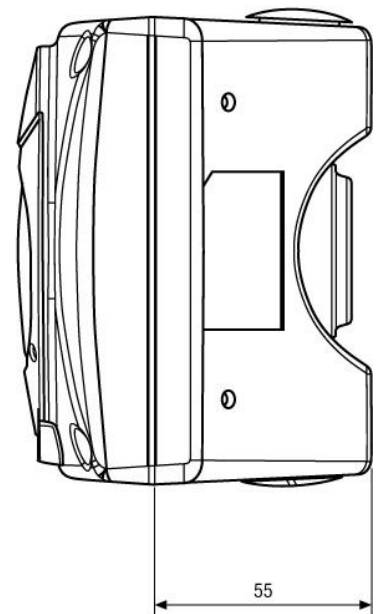
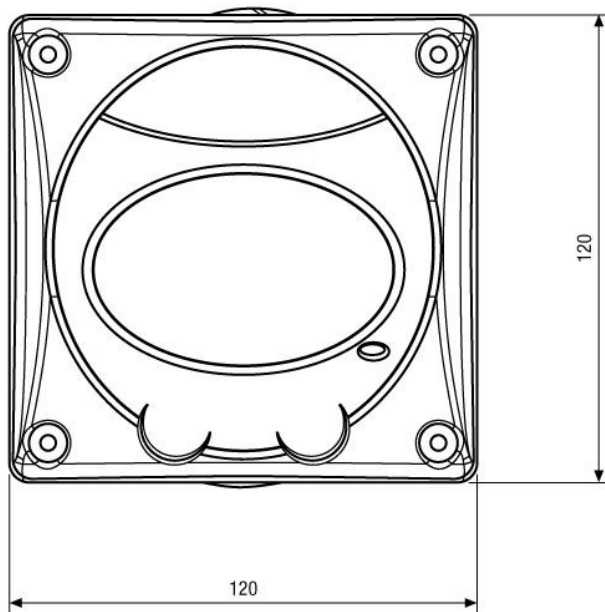
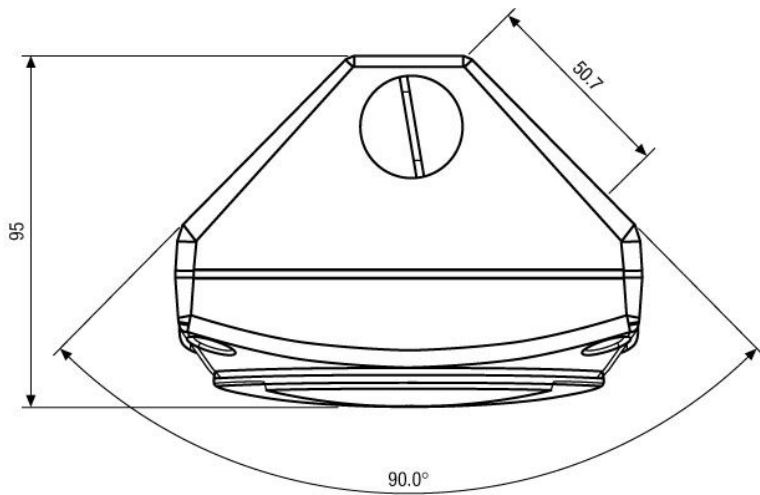
Optional Accessories

Image	Artikel-Nr. / Typ	Description
	VT-PS12DC-8	Plug-in Power Supply Unit 100-240VAC 12VDC (1.0Amp), Regulated, with DC Plug
	VT-PS12DC-7	Plugable PSU w. Cont. & UK Mains plug-in 100-240VAC/12VDC-1.25A, Regulated

Optional Accessories (continued)

Image	Artikel-Nr. / Typ	Description
	VT-PS12DCDT1	PSU 12VDC/1.0A, Regulated, Desktop Version, 1.8m Cables each w. open ends

Technical Drawing





Your partner for eneo products:

