

Video Security



VKC-1333IR/W3

1/3" Day/Night Camera w. IR Illumination
F1.2/3.8-9.5mm, 12VDC/24VAC, 480TVL

Art-No. 96066



Features

Weatherproof Camera with Swivel Head Bracket
1/3" Day/Night CCD Camera with Varifocal Lens
Lens F1.2/3.8-9.5mm with DC Iris Control
Sensitivity: 0.005Lux at F1.2 (DSS ON)
Resolution of 480 Horizontal Lines
Removable IR Cut Filter

Sensitivity Enhancement: 16x max. (DSS Function)
Switchable Low Speed Shutter (High/Low)
Back Light Compensation (BLC)/Shutter Control (AES)
IR Illumination by 15 integrated 850/880nm LED's
Supply Voltage: 12VDC/24VAC
Hidden Cable Routing / Protection Rating: IP67

Specifications

System	CCIR/PAL
Imager	1/3" Sony Super HAD Interline Transfer CCD
Active picture elements	Ca. 440.000, (H) 752 x (V) 582 Pixels
Synchronization	Internal
Signal-to-noise ratio	48dB
Gamma correction	Approx. 0.45
Horizontal resolution	480 TV lines
Sensitivity at 50% video signal	0.005Lux at F1.2 (VT measurement at 16x integration rate)
Electronic shutter	1/4 ~ 1/100,000Sec.
Low speed shutter	1/4 ~ 1/50Sec. (DSS)
Integration rate	8x/16x, selectable
Automatic gain control (AGC)	28dB max. (AGC OFF)
White balance (ATW)	2500 ~ 8000K, Automatic tracking
Backlight compensation (BLC)	Center weighted
IR cut filter	Motorized, switchable filter. Automatic function depend on the amount of light. Manual switching: see "switching-over colour/b&w". In removed filter position, the colour signal will be switched OFF

VKC-1333IR/W3

(Specifications continued)

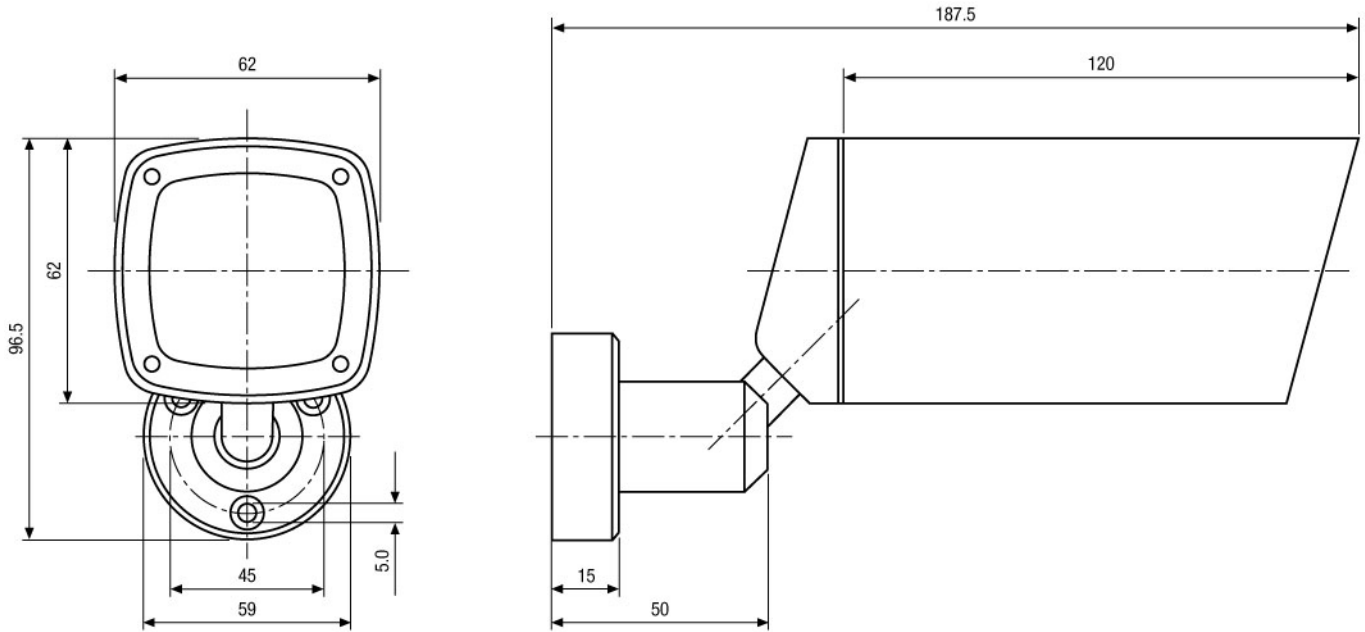
Video output	1Vp-p, CVBS, 75ohms
Lens	F1.2/F2.0 ~ 360/3.8 ~ 9.5mm with galvanometer driven iris
Focus range	0.15m ~ ∞
Horizontal angle of view	74.2° ~ 30°
Illumination	3x LED's 850nm / 12x LED's 880nm. Due to an integrated light sensor the LED illumination will be switched ON/OFF, depending from environmental illumination conditions. Full IR emission amount is guaranteed at >11VDC.
Illumination range	30m (at a good light reflexion and 40% Videosignal)
Cable connection	Wiring for video and voltage supply made, accessible from outside (1.5m long, Video: BNC jack; 12/24V input: for DC plug 2.1/5.5mm)
Hidden Cable Management Support	Fully Hidden Cable Routing
Housing	Aluminium with clear polycarbonate window
Window screen	PC (Lexan)
Colour	Pantone 7541
Kind of mounting	Integrated wall mount with ball joint
Mounting	Wall or Ceiling*)
Supply voltage	12VDC (10.5~30VDC); 24VAC (12~29VAC)
Power consumption	Approx. 5.0watts
Temperature range	-20°C ~ +50°C (Camera modul)
Dimensions (HxWxD)	See drawing
Weight	Approx. 680g

Accessories

77779 / VT-PS12DC-UK	Power Supply Unit w. UK Mains plug-in, 100-240VAC/12VDC-1.0A, Regul., open Ends
77772 / VT-PS12DCDT	PSU 12VDC/0,5A, Regulated, Desktop Version, 1.8m Cable each w. open ends
70447 / VT-PS12DC-5	Plug-in Power Supply Unit 100-240VAC 12VDC (1.0Amp), Regulated, with DC Plug
73844 / FW7362/12	Plugable AC/DC Adapter 100-240V/12VDC-2.5A, Regulated

Product Information

*) For ceiling installation please contact Videor Technical in advance. They will modify the camera before shipping.



Maße/Dimensions: mm

VIDEOR TECHNICAL E. Hartig GmbH
 Carl-Zeiss-Straße 8 · 63322 Rödermark · Germany
 Telefon +49 (0) 60 74/8 88-0 · Telefax +49 (0) 60 74/8 88-100
 info@videortechnical.com · www.videortechnical.com

