

# VKC-1333A-IR/W3

Home | Security | Cameras | Plug & Play

VKC-1333A-IR/W3  
1/3" Camera, Day&Night, F1.2/3.8-9.5mm, 540TVL,  
IR Illumination, 12VDC/24VAC

**Art-Nr. 96095**



## Main Features

Weatherproof Camera with Swivel Head Bracket  
1/3" Day/Night CCD Camera with Varifocal Lens  
Sensitivity of 0.2Lux at F1.2  
Removable IR Cut Filter  
Sensitivity Enhancement: 6x/8x (DSS Function)  
Automatic Frame Integration Rate Control

Optimized Noise Reduction Function (DSP S/W)  
IR Illumination by 15 integrated 850nm LEDs  
30m Night Observation Distance (50° LED's)  
Dynamic (Light) Intensity Control (DIC)  
IR corrected Lens with No-Focus-Shift  
Hidden Cable Routing / Protection Rating: IP67

## Specifications

Series	W3 Plug & Play
System	day&night
Video standard	CCIR/PAL
Sensor size	1/3"
Imager	CCD, Sony Super HAD Interline Transfer
Active picture elements	440,000, 752(H) x 582(V)
Synchronization	Internal/Line-lock
Signal-to-noise ratio	48dB
Gamma correction	approx. 0.45
Horizontal resolution	540 TVL
Sensitivity (at 50% video signal)	0.2Lux at F1.2 (colour), Videor measurement result
Automatic electronic shutter (ESC)	1/50 - 1/100,000sec.
Low Speed Shutter	yes

## VKC-1333A-IR/W3

(Continuation Specifications)

<b>Low speed shutter</b>	6x/8x, slectable
<b>Automatic gain control (AGC)</b>	28dB max. (AGC OFF)
<b>Digital Noise Reduction (DNR)</b>	no
<b>White balance</b>	2000 ~8000K, automatic tracking
<b>Backlight compensation</b>	BLC
<b>Wide Dynamic Range (WDR)</b>	no
<b>Backlight compensation</b>	Center weighted
<b>IR cut filter</b>	switchable
<b>Internal adjustments</b>	4 Dip switches: Sync. Int/LL, ELC/ALC (Shutter/Auto-Iris), Day/Night On/Off. Potentiometer: Level for DC controlled iris.
<b>Video outputs</b>	CVBS
<b>Lens type</b>	varifocal
<b>Lens</b>	F1.2/F2.0 ~360/3.8 ~9.5mm with galvanometer controlled iris
<b>Aspherical technology</b>	yes
<b>Focal length</b>	3,8 mm - 9,5 mm
<b>Horizontal angle of view</b>	74,2° - 30°
<b>Iris control</b>	DC
<b>Filter screw size</b>	not available
<b>MOD (Minimum object distance)</b>	0,15 m
<b>Illumination</b>	infrared, 15x LED's 850nm at 50° illumination angle. Due to an integrated light sensor the LED illumination will be switched ON/OFF, depending on environmental illumination conditions.
<b>Illumination range</b>	approx. 30m (at a good light reflexion and 40% Videosignal)
<b>Dynamic Light Intensity Control (DIC)</b>	Avoids signal saturation caused by excessive object illumination, or reflection and extends IR LED's life. Limits the increase of current caused by rising temperature or input voltage variation.
<b>Serial interfaces</b>	no
<b>Cable connection</b>	Wiring for video and voltage supply made, accessible from outside (1.5m long, Video: BNC jack 12/24V input: for DC plug 2.1/5.5mm)
<b>Kind of mounting</b>	Integrated wall mount with ball joint
<b>Mounting</b>	Wall or Ceiling*)
<b>Protection rating</b>	IP67
<b>Supply voltage</b>	12VDC, 24VAC, (10.5 ~30VDC, 12 ~29VAC)
<b>Power consumption</b>	5W
<b>Temperature range (Operation)</b>	-20°C ~+50°C
<b>Housing material</b>	Aluminium
<b>Housing</b>	Outdoor
<b>Integrated wall mount</b>	yes
<b>Hidden cable management</b>	yes
<b>Window screen</b>	Acrylic glass (clear)
<b>Sunshield</b>	no

## VKC-1333A-IR/W3

(Continuation Specifications)

Window heater	no
Clear Shield	no
Colour (housing)	Pantone 7541
Dimensions (HxWxD)	See drawing
Weight	680g
Parts supplied	Camera, Manual, "Easy installation" adapter cable, Heat shrink tube
Certificates	CE

### Optional accessories

70495	VT-PS12DC-7	Plugable PSU w. Cont. & UK Mains plug-in 100-240VAC/12VDC-1.25A, Regulated
77773	VT-PS12DCDT1	PSU 12VDC/1.0A, Regulated, Desktop Version, 1.8m Cables each w. open ends
88148	W3 INST-KIT1	Installation Kit for W3 Housings with Hidden Junction Boxes

# VKC-1333A-IR/W3

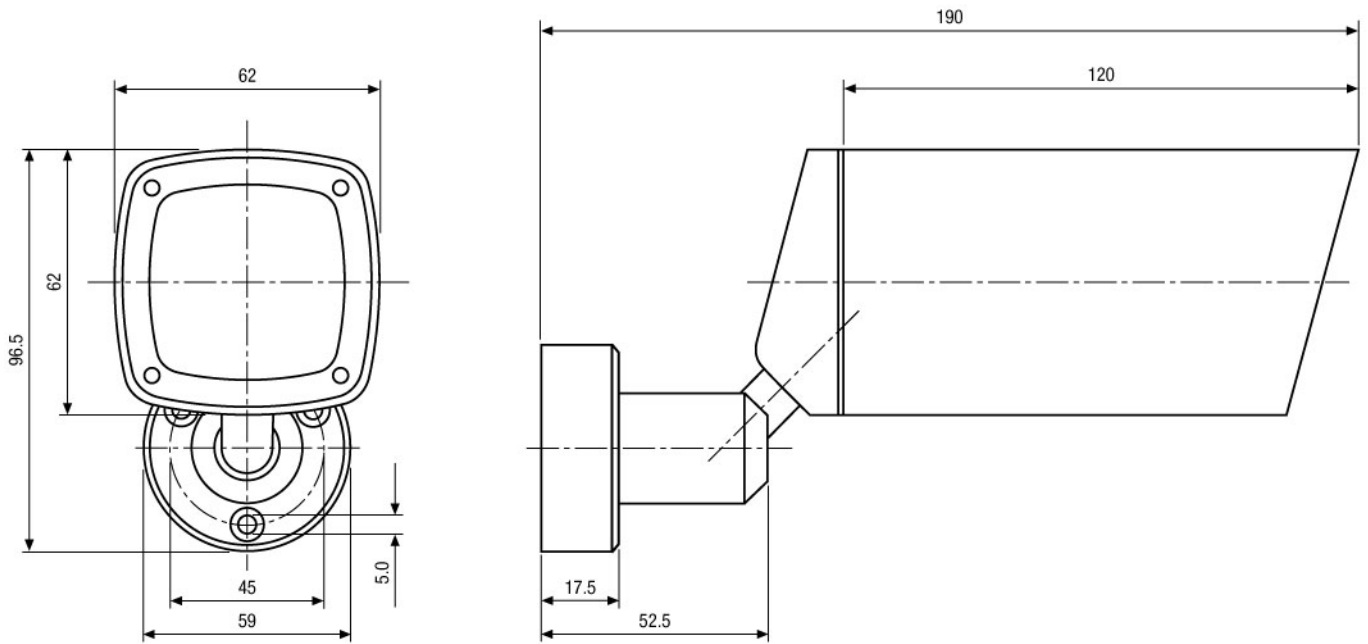
## Product information

\*) For ceiling installation please contact Videor Technical in advance. They will modify the camera before shipping.

# VKC-1333A-IR/W3

Home | Security | Cameras | Plug & Play

## Technical drawing



Maße/Dimensions: mm