



VKC-1331A

Article-No.: 92531

1/3" Cylindric Camera, Colour, 3.6mm,
550TVL, 12VDC

Mainfeatures

Cylindric Colour CCD Camera
Sensitivity of 0.2 Lux (F1.2)
Automatic Gain Control (AGC)
Supply Voltage: 12VDC
Mounting Stand with Swivel Head

1/3" Sony Super HAD II CCD
Automatic Shutter Control (ESC)
Automatic White Balance (AWB)
Weatherproof Aluminium Housing (IP67)
Compact Version (19mm Outside Diameter)


Specifications

System	Colour
Video standard	PAL
Sensor size	1/3"
Imager	CCD
Imager	Sony Super HAD II Interline Transfer
Active picture elements	440,000, 752(H) x 582(V)
Synchronization	Internal
Signal-to-noise ratio	48dB
Gamma correction	0.45
Horizontal resolution	550 TVL
Sensitivity (at 50% video signal)	0,18 Lux
Sensitivity (at 50% video signal)	at F1.2 (measured)
Automatic electronic shutter (ESC)	1/4 - 1/100,000sec.
Low Speed Shutter	no
Automatic gain control (AGC)	yes
Digital Noise Reduction (DNR)	no
White balance	Automatic (2100 - 8000K)



Specifications (continued)

Backlight compensation	no
Wide Dynamic Range (WDR)	no
IR cut filter	standard
Video outputs	Composite (CVBS)
Lens type	fixed focal length
Lens	F2.0/3.6mm
Focal length	3,6 mm
Horizontal angle of view	69°
Iris control	no
MOD (Minimum object distance)	0,1 m
Filter screw size	not available
Illumination	no
Serial interfaces	no
Cable connection	Wiring for video and voltage supply made, accessible from outside (approx. 0.5m long, Video: BNC jack 12/24V input; for DC plug 2.1/5.5mm)
Temperature range (Operation)	-10° ~ +50°C
Housing material	Aluminium
Housing	Outdoor
Integrated wall mount	no
Hidden cable management	no
Sunshield	no
Window heater	no
Clear Shield	no
Colour (housing)	black
Protection rating	IP67
Supply voltage	12VDC
Power consumption	approx. 1.7watts
Dimensions (HxWxD)	19x19x54,7 mm
Weight	48g
Parts supplied	Camera, Manual, Wall and ceiling mount bracket, Fixing screws
Certificates	CE

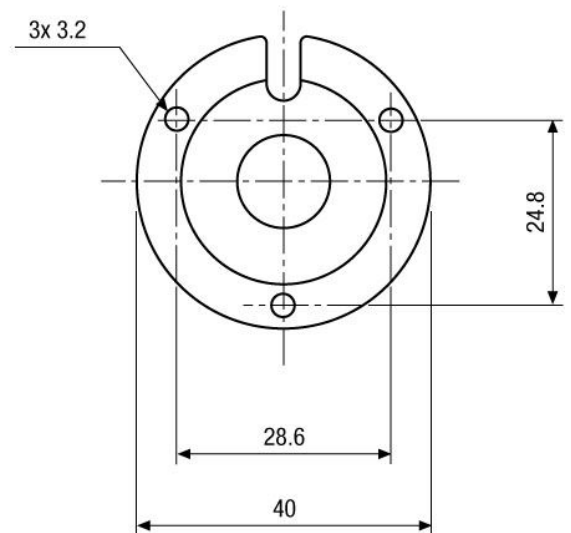
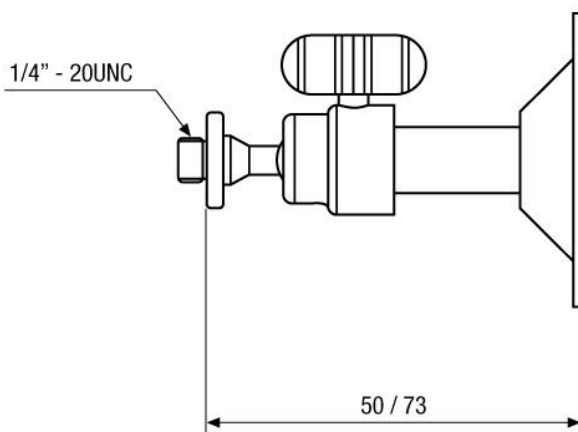
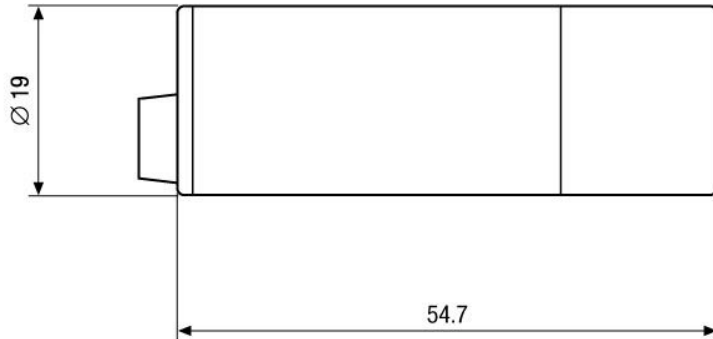
Optional Accessories

Image	Artikel-Nr. / Typ	Description
	VT-PS12DC-8	Plug-in Power Supply Unit 100-240VAC 12VDC (1.0Amp), Regulated, with DC Plug

Optional Accessories (continued)

Image	Artikel-Nr. / Typ	Description
	VT-PS12DC-7	Pluggable PSU w. Cont. & UK Mains plug-in 100-240VAC/12VDC-1.25A, Regulated
	VT-PS12DCDT1	PSU 12VDC/1.0A, Regulated, Desktop Version, 1.8m Cables each w. open ends

Technical Drawing



Maße/Dimensions: mm



Your partner for eneo products:

