

Video Security



VKC-1328

1/3" Colour Camera,
DSP, 12VDC, 480TVL

Art-No. 91963



Lens is not included with the camera

Features

Resolution of 480 Horizontal Lines
Digital Signal Processing (DSP)
Back Light Compensation (BLC)
Electronic Shutter Control (ESC)
Aperture Control (APC)

Internal Synchronization
Automatic White Balance
Mirror Function
CS Mount
Power supply: 12VDC

Specifications

System	CCIR/PAL
Imager	1/3" Sony Super HAD Interline Transfer CCD
Active picture elements	Approx. 440,000, (H) 752 x (V) 582
Signal processing	Digital (DSP)
Synchronization	Internal
Gamma correction	0.45
Horizontal resolution	480 TV lines
Sensitivity at 50% video signal	0.5 Lux at F1.2 (VT measurement result)
Electronic shutter control (ESC)	1/50 to 1/100,000Sec.
Automatic gain control (AGC)	Switchable ON/OFF
Aperture Correction (APC)	Horizontal and vertical
Backlight compensation (BLC)	Switchable ON/OFF
White balance	Automatic
Mirror function	Switchable ON/OFF
Video output	1Vp-p, CVBS, 75ohms, BNC
Lens mount	CS
External adjustments	DC-iris level control, Flange focus
Internal adjustments	Electronic shutter ON/OFF, Mirror mode ON/OFF, Backlight compensation ON/OFF

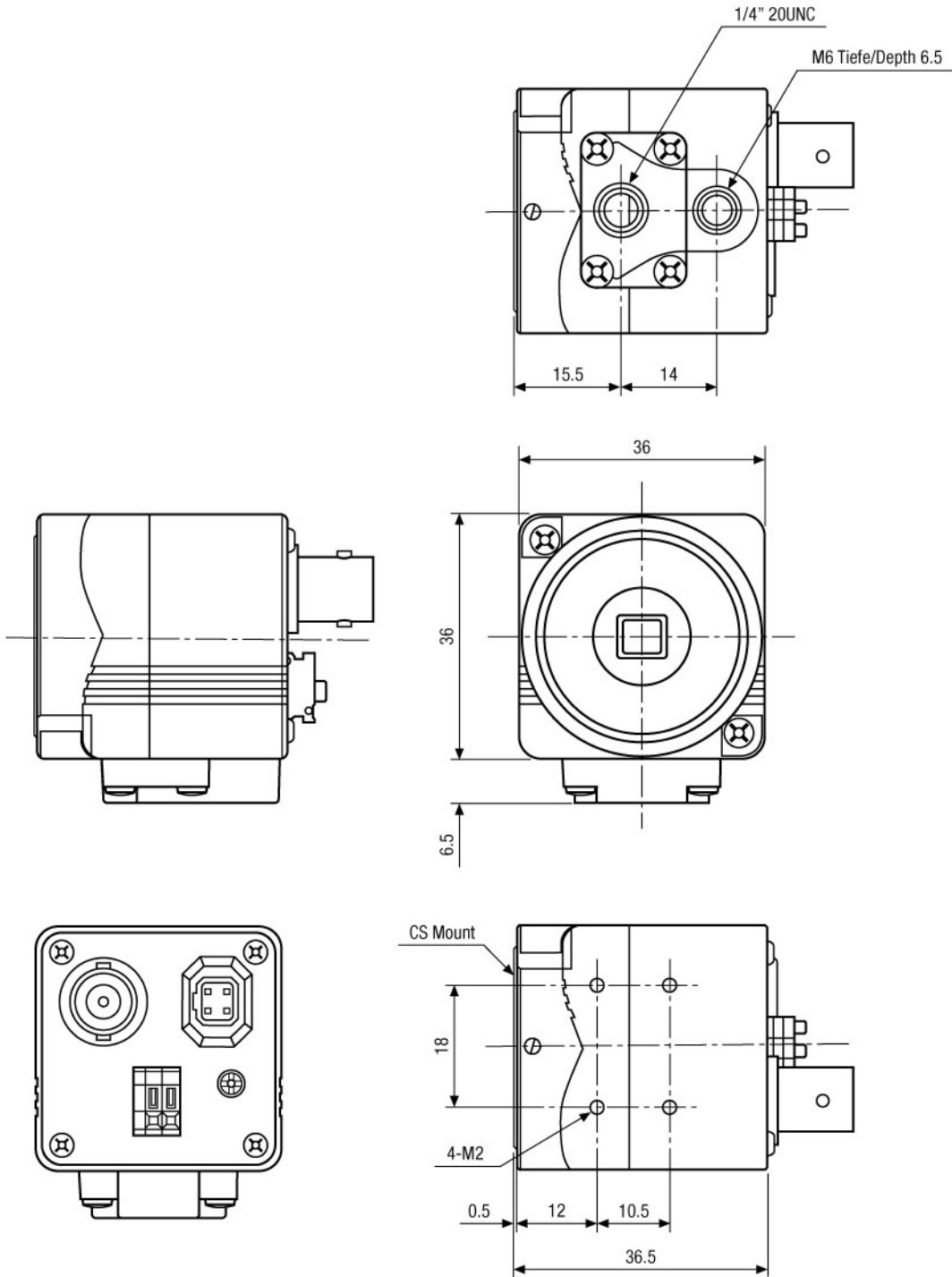
VKC-1328

(Specifications continued)

External connections	DC-Iris (4 pin), Video (BNC), 12VDC input (screw connection),
Supply voltage	12VDC (+/-10%)
Power consumption	<3watts
Camera mount	M6 und 1/4" - 20 UNC thread. Mounting plate can be fixed on top or bottom
Temperature range	-10°C to +40°C
Dimensions (HxWxD)	See drawing
Colour	Light grey
Weight	Approx. 100g

Accessories

77779 / VT-PS12DC-UK	Power Supply Unit w. UK Mains plug-in, 100-240VAC/12VDC-1.0A, Regul., open Ends
70769 / WD-22	Wall Mount Bracket with Ball Joint, 1/4" Camera Fixing Screw, Beige Grey
79364 / NE-112	Power Supply Unit 230VAC/12VDC (600mA) for VHM Housing, Regulated
79334 / NE-105S	Power Supply Unit 230VAC/12VDC (600mA) for VHB-Housing with Fuse, Regulated
70448 / VT-PS12DC-6	Plug-in Power Supply Unit 100-240VAC 12VDC (1.0Amp), Regulated, w. Open Ends



Maße/Dimensions: mm

VIDEOR TECHNICAL E. Hartig GmbH
 Carl-Zeiss-Straße 8 · 63322 Rödermark · Germany
 Telefon +49 (0) 60 74/8 88-0 · Telefax +49 (0) 60 74/8 88-100
 info@videortechnical.com · www.videortechnical.com

