

# Video Security



## VKC-1327IR/W3

1/3" Day/Night Camera w. IR Illumination  
F1.2/3.8-9.5mm, 12VDC/24VAC, 480TVL

Art-No. 96060



## Features

Weatherproof Camera with Swivel Head Bracket  
1/3" Day/Night CCD Camera with Varifocal Lens  
Built-in Lens F1.2/3.8-9.5mm with DC Iris Control  
Sensitivity of 0.15Lux (AGC Turbo, B&W Operation)  
Resolution of 480 Horizontal Lines  
Removable IR Cut Filter

Automatic Shutter Control (AES)  
Back Light Compensation (BLC)  
IR Illumination by 15 integrated 850/880nm LED`s  
Supply Voltage: 12VDC / Fully Hidden Cable Routing  
Protection Rating: IP67  
Certified according to BGV Kassen

## Specifications

|                                 |   |
|---------------------------------|---|
| System                          | CCIR/PAL  |
| Imager                          | 1/3" Sony Super HAD Interline Transfer CCD  |
| Active picture elements         | Ca. 440.000, (H) 752 x (V) 582 Pixels   |
| Synchronization                 | Internal/Line-lock (automatic detection depend on power source)   |
| Signal-to-noise ratio           | 48dB  |
| Gamma correction                | Approx. 0.45  |
| Horizontal resolution           | 480 TV lines  |
| Sensitivity at 50% video signal | 0.5Lux (0.32Lux) at colour; 0.24Lux (0.15Lux) at B&W; at F1.2 each (AGC-Turbo); VT measurement result   |
| Automatic shutter control (AES) | 1/50 ~ 1/100.000Sec.  |
| Automatic gain control (AGC)    | 28dB Normal (Turbo +6dB), AGC OFF   |
| White balance (ATW)             | 2500 ~ 8000K, Automatic tracking  |
| Backlight compensation (BLC)    | Center weighted (ON/OFF switchable)   |
| IR cut filter                   | Motorized, switchable filter. Automatic function depend on the amount of light. Manual switching: see "switching-over colour/b&w". In removed filter position, the colour signal will be switched OFF |

(Specifications continued)

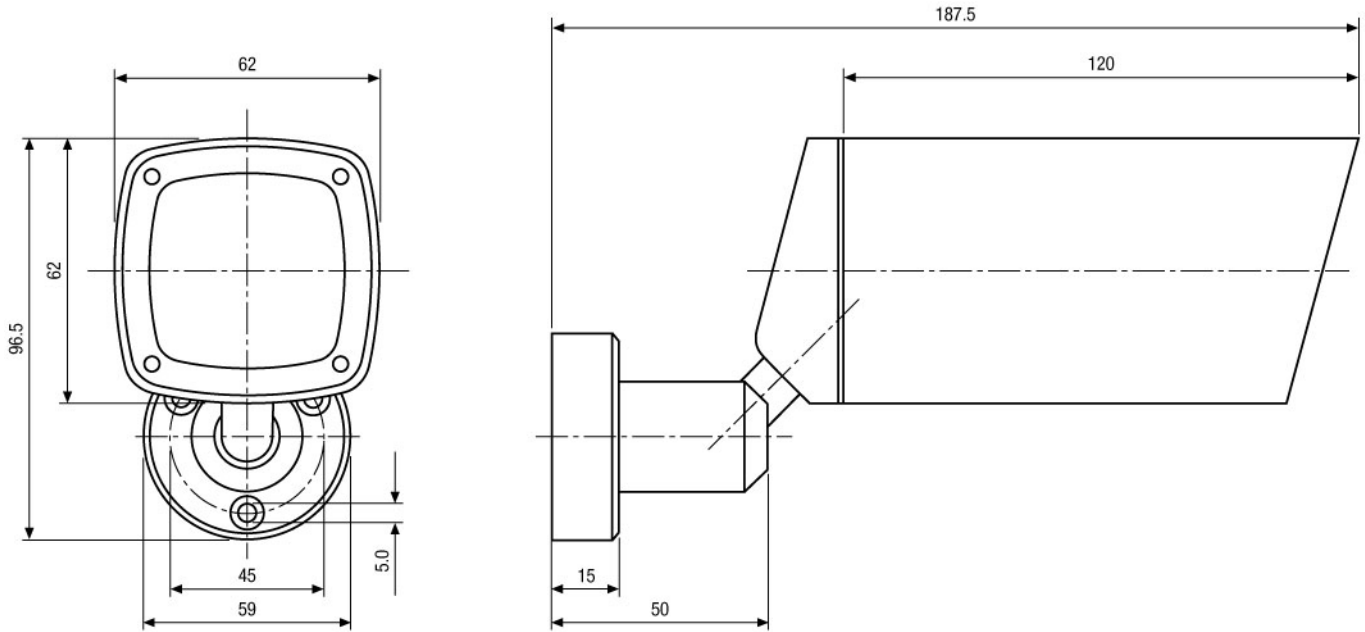
|  |  |
|--|--|
| <b>Internal adjustments</b>            | 8 Dip switches: Internal/Line-lock synchronization, ELC/ALC (manual/motorized Iris), BLC ON/OFF, AGC Normal/Turbo, Flickerless ON/OFF, Sharpness Normal/Scharp, Day/Night mode Enabled/Disabled, IR mode ON/OFF (Iteration reduction between day and night position). 2 Potentiometers: Level for DC controlled iris, V. phase adjustment (220° min. adjustable) |
| <b>Video output</b>                    | 1Vp-p, CVBS, 75ohms  |
| <b>Lens</b>                            | F1.2/F2.0 ~ 360/3.8 ~ 9.5mm with galvanometer driven iris  |
| <b>Focus range</b>                     | 0.15m ~ ∞  |
| <b>Horizontal angle of view</b>        | 74.2° ~ 30°  |
| <b>Illumination</b>                    | 12x LED's 850nm / 3x LED's 880nm. Due to an integrated light sensor the LED illumination will be switched ON/OFF, depending from environmental illumination conditions. Full IR emission amount is guaranteed at >11VDC guaranteed at >11VDC.  |
| <b>Illumination range</b>              | 15m (at a good light reflexion and 40% Videosignal)  |
| <b>Cable connection</b>                | Wiring for video and voltage supply made, accessible from outside (1.5m long, Video: BNC jack; 12/24V input: 2-pin screw terminal)   |
| <b>Hidden Cable Management Support</b> | Fully Hidden Cable Routing   |
| <b>Housing</b>                         | Aluminium with clear polycarbonate window  |
| <b>Window screen</b>                   | PC (Lexan)   |
| <b>Kind of mounting</b>                | Integrated wall mount with ball joint  |
| <b>Mounting</b>                        | Wall or Ceiling*)  |
| <b>Supply voltage</b>                  | 12VDC (10.5~30VDC); 24VAC (12~29VAC)   |
| <b>Power consumption</b>               | Approx. 5.0watts   |
| <b>Temperature range</b>               | -20°C ~ +50°C (Camera modul)   |
| <b>Dimensions (HxWxD)</b>              | See drawing  |
| <b>Weight</b>                          | Approx. 680g   |

## Accessories

|                             |   |
|-----------------------------|---|
| <b>73844 / FW7362/12</b>    | Plugable AC/DC Adapter 100-240V/12VDC-2.5A, Regulated                           |
| <b>77772 / VT-PS12DCDT</b>  | PSU 12VDC/0,5A, Regulated, Desktop Version, 1.8m Cable each w. open ends        |
| <b>70447 / VT-PS12DC-5</b>  | Plug-in Power Supply Unit 100-240VAC 12VDC (1.0Amp), Regulated, with DC Plug    |
| <b>77779 / VT-PS12DC-UK</b> | Power Supply Unit w. UK Mains plug-in, 100-240VAC/12VDC-1.0A, Regul., open Ends |

## Product Information

\*) For ceiling installation please contact Videor Technical in advance. They will modify the camera before shipping.



Maße/Dimensions: mm

VIDEOR TECHNICAL E. Hartig GmbH  
 Carl-Zeiss-Straße 8 · 63322 Rödermark · Germany  
 Telefon +49 (0) 60 74/8 88-0 · Telefax +49 (0) 60 74/8 88-100  
 info@videortechnical.com · www.videortechnical.com

