

VKC-1327B/W3

Home | Security | Cameras | Plug & Play

VKC-1327B/W3

1/3" Camera, Day&Night, F1.2/3.8-9.5mm, 560TVL,

12VDC/24VAC

Art-Nr. 96101



Main Features

Weatherproof camera with swivel head bracket

Sensitivity of 0.2Lux at F1.2 (colour)

Powerful digital noise reduction (3D DNR)

Digital wide dynamic range (D-WDR)

Removable IR cut filter (IRCF)

Sensitivity enhancement up to 128x (DSS function)

Highlight suppress backlight compensation (HSBLC)

On-screen display (OSD)

32x Digital zoom/Privacy masking/Motion detection

IR corrected lens with no-focus-shift

Power supply: 12VDC or 24VAC

Specifications

Series	eneo W3 Plug & Play
System	Day&Night
Video standard	CCIR/PAL
Sensor size	1/3"
Imager	CCD, Sony Super HAD II Interline Transfer
Active picture elements	470,000, 795(H) x 596(V)
Synchronization	Internal
Signal-to-noise ratio	50dB (AGC OFF)
Gamma correction	0.45 / 1.0
Horizontal resolution	560 TVL, (colour), 600 TVL (B&W)
Sensitivity (at 50% video signal)	0,2 Lux, (colour), 0.07Lux (B&W) at F1.2 (measured)
Automatic electronic shutter (ESC)	1/50 ~ 1/100,000sec.
Manual electronic shutter (MES)	1/50 ~ 1/100,000sec.

VKC-1327B/W3

(Continuation Specifications)

Low Speed Shutter	yes
Low speed shutter	Automatic, 2 ~256 Fps., ON/OFF switchable
Automatic gain control (AGC)	ON/OFF switchable
Digital Noise Reduction (DNR)	yes, 3D
Flickerless function	yes
Mirror function	horizontal, vertical, H/V flip
White balance	2000 ~8000K, automatic tracking
Backlight compensation	HS BLC (eclipse), BLC, center weighted (ON/OFF switchable)
Wide Dynamic Range (WDR)	yes, D-WDR (Digital Wide Dynamic Range)
Aperture Correction (APC)	horizontal and vertical
Brightness	adjustment range: 0 ~100
Sharpness correction	adjustment range: 0 ~31
IR cut filter	switchable
Internal adjustments	Zoom & Focus, Menu access
Video outputs	composite (CVBS)
Lens type	varifocal
Lens	F1.2/F2.0~360 / 3.8~9.5mm with galvanometer controlled iris
Focal length	3,8 mm - 9,5 mm
PTZ Support	no
Digital Zoom	2x ~32x
Horizontal angle of view	74,2° - 30°
Iris control	DC
MOD (Minimum object distance)	0,15 m
Filter screw size	not available
Illumination	no
Menu languages	English, Korean, Japanese, Chinese
OSD function control	H/V flip (Mirror picture), Positiv/negative, Sharpness & Brightness correction, AGC, D-WDR, MES, DSS, AWB, BLC, Motion detection, Privacy zones masking, Day&Night (automatic/manual), Text
Text display	15 character label, ON/OFF switchable
Activity detection	yes
Motion detector	4 zones, ON/OFF switchable
Privacy zones masking	8 zones masking, ON/OFF switchable
Serial interfaces	no
Cable connection	Wiring for video and voltage supply made, accessible from outside (1.5m long, Video: BNC jack 12/24V input: 2-pin screw terminal)
Mounting	Wall or Ceiling*)
Temperature range (Operation)	-20°C ~+50°C
Housing material	aluminium
Housing	outdoor

VKC-1327B/W3

(Continuation Specifications)

Integrated wall mount	yes
Hidden cable management	yes
Window screen	Acrylic glass (clear)
Sunshield	no
Window heater	no
Clear Shield	no
Colour (housing)	Pantone 7541
Vandalism resistant	no
Protection rating	IP67
Alarm inputs	no
Alarm outputs	no
Supply voltage	12VDC, 24VAC
Power consumption	4.0watts
Dimensions (HxWxD)	see drawing
Weight	680g
Parts supplied	Camera, Manual, "Easy installation" adapter cable, Heat shrink tube, bag of screws, allen key
Certificates	CE

Optional accessories

70527	NE-132/AC24V	Power Supply Unit 230VAC/24VAC (1.0A)
77773	VT-PS12DCDT1	PSU 12VDC/1.0A, Regulated, Desktop Version, 1.8m Cables each w. open ends
70495	VT-PS12DC-7	Plugable PSU w. Cont. & UK Mains plug-in 100-240VAC/12VDC-1.25A, Regulated
73179	PM-42	Pole Mount Adapter, for Housing Series Candid, W3 Plug&Play
88148	W3 INST-KIT1	Installation Kit for W3 Housings with Hidden Junction Boxes

VKC-1327B/W3

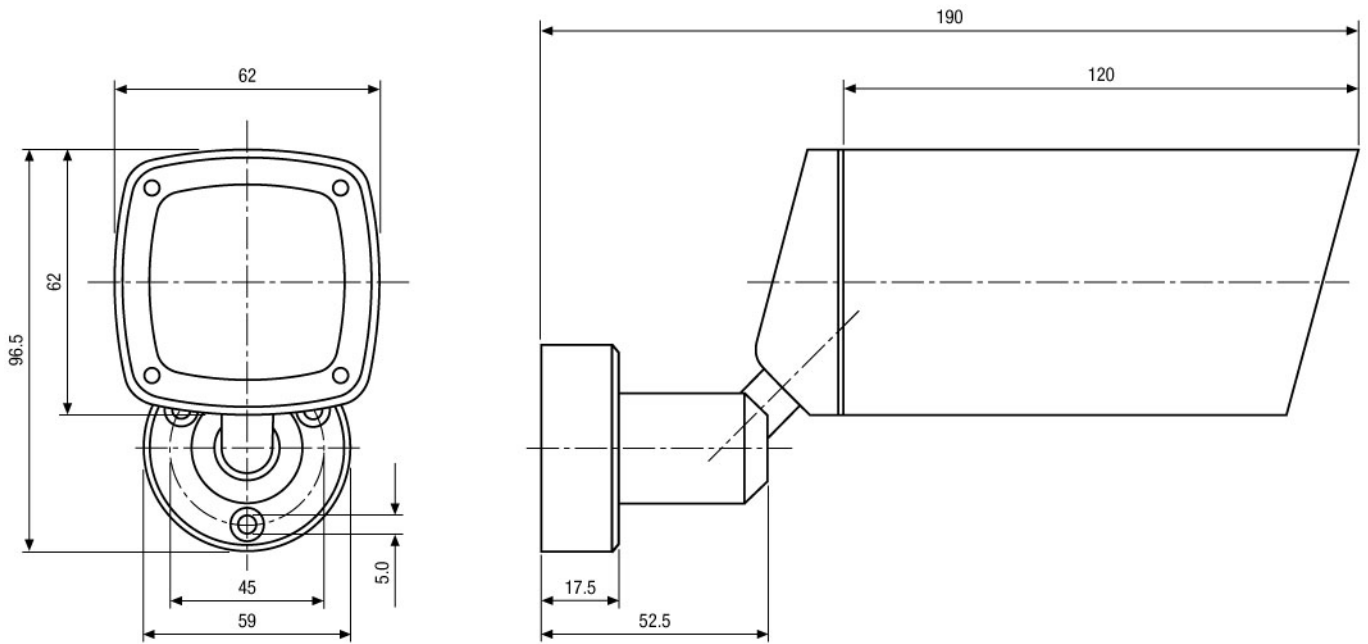
Product information

*) For ceiling installation please contact Videor Technical in advance. They will modify the camera before shipping.

VKC-1327B/W3

Home | Security | Cameras | Plug & Play

Technical drawing



Maße/Dimensions: mm