

# VKC-1327A/WDDG1

Home | Security | Dome Cameras | Fixed

VKC-1327A/WDDG1

1/3" Dome, Fixed, Day&Night, clear, 3.8-9.5mm,

540TVL, 12VDC/24VAC

**Art-Nr. 92166**



## Main Features

For Wall and In-ceiling Mount

Vandal and Tamper-Resistant

Clear Lexan Bubble with Inner Liner

1/3" Day/Night CCD Board Camera with Varifocal Lens

Built-in Lens F1.2/3.8-9.5mm with DC Iris Control

Resolution of 540 Horizontal Lines

Removable IR Cut Filter

Automatic Shutter Control (AES)

Back Light Compensation (BLC)

For Easy Indoor Installation

Manual 3-axis Camera Adjustment

Certified according to BGV Kassen

## Specifications

Video standard	CCIR/PAL
System	day&night
Sensor size	1/3"
Imager	CCD, Sony Super HAD Interline Transfer
Active picture elements	440,000, 752(H) x 582(V)
Synchronization	Internal/Line-lock (automatic detection depend on power source)
Signal-to-noise ratio	48dB
Sensitivity (at 50% video signal)	0.5Lux (0.32Lux), Colour, 0.24Lux (0.15Lux), B&W at F1.2 each (AGC-Turbo). Videor measurement result
Horizontal resolution	540 TVL
Rotation range	manual: 360°
Automatic gain control (AGC)	Normal/Turbo (+6dB)
Gamma correction	approx. 0.45
Automatic electronic shutter (ESC)	1/50 - 1/100,000sec.

# VKC-1327A/WDDG1

(Continuation Specifications)

Low Speed Shutter	no
Digital Noise Reduction (DNR)	no
White balance (ATW)	2000 ~8000K, Automatic
Backlight compensation	BLC
Wide Dynamic Range (WDR)	no
Backlight compensation	ON/OFF switchable
IR cut filter	switchable
Video outputs	CVBS, 1Vp-p, (C)VBS, 75ohms, BNC
Lens mount	integrated lens
Lens type	varifocal
Lens	F1.2/F2.0~360 / 3.8~9.5mm with galvanometer controlled iris
Aspherical technology	yes
Focal length	3,8 mm - 9,5 mm
Horizontal angle of view	74,2° - 30°
Iris control	DC
MOD (Minimum object distance)	0,15 m
Focus range	0.15m ~∞
Filter screw size	not available
Internal adjustments	8 Dip switches: Internal/Line-lock synchronization, ELC/ALC (Shutter/Auto-Iris), BLC ON/OFF, AGC Normal/Turbo, Flickerless ON/OFF, Sharpness Normal/Sharp, Day/Night mode Enabled/Disabled, IR mode ON/OFF (Iteration reduction between day and night position). 2 Potentiometers: Level for DC controlled iris, V. phase adjustment (220° min. adjustable)
Cable connection	Video (BNC), Power (2-pin screw terminal)
Cable entry	2x 8mm holes with rubber glands
Serial interfaces	no
Temperature range (Operation)	-10° ~+50°C
Heater	no
Protection rating	IP65, at installation according to the manual
Supply voltage	12VDC, 24VAC, (10.5 ~30VDC, 12 ~29VAC)
Power consumption	approx. 3.0watts
Vandalism resistant	yes
Bubble	Vandal resistant 3mm clear polycarbonate bubble with inner liner
Colour (bubble)	clear
Camera fixing	no
Mounting	Housing assy, wall mount, flush mount
Housing	Outdoor
Housing material	Aluminium
Housing	Die-cast aluminium with clear polycarbonate bubble
Colour (housing)	Pantone Cool Gray 1C

# VKC-1327A/WDDG1

(Continuation Spezifications)

<b>Dimensions (HxWxD)</b>	See drawing
<b>Weight</b>	approx. 750g
<b>Parts supplied</b>	Mounting kit, Torx wrench key, Blind cover 3/4"
<b>Certificates</b>	CE

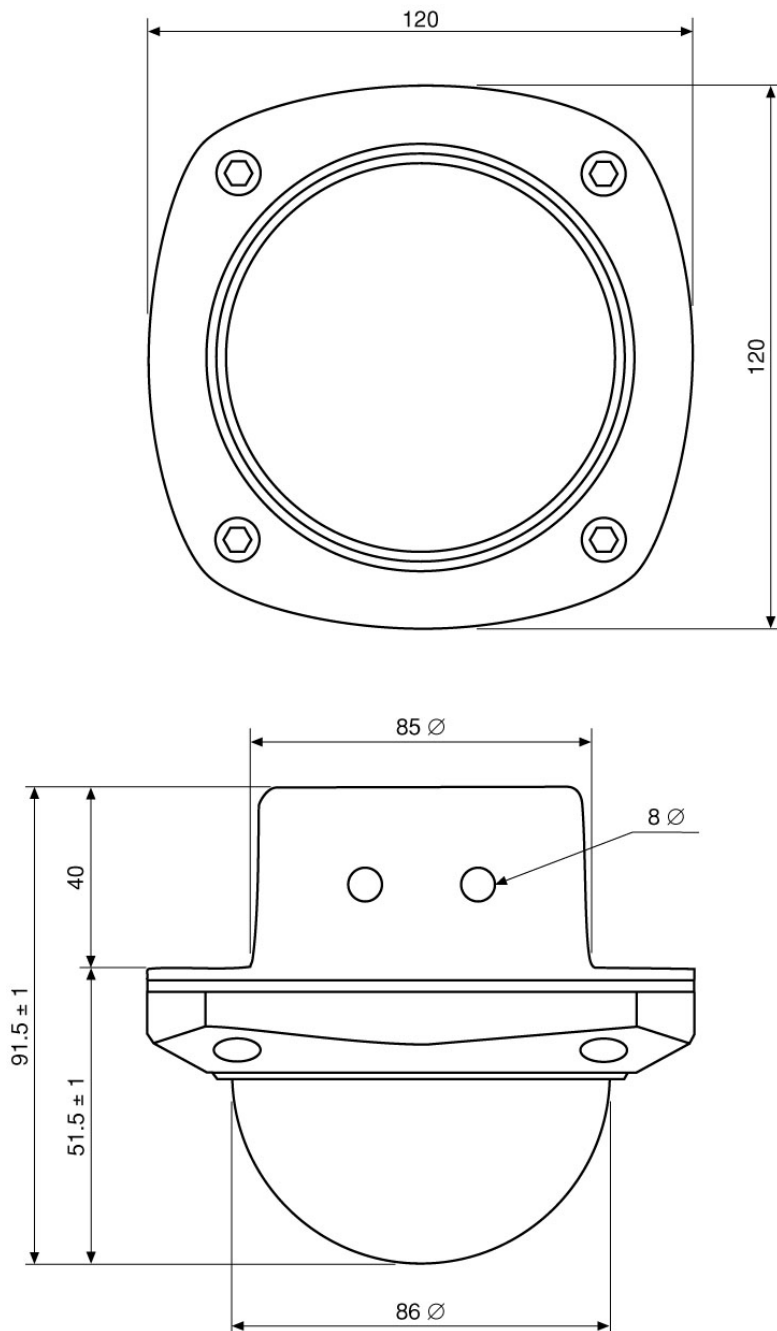
## Optional accessories

<b>70536</b>	<b>VT-PS12DC-9</b>	Plug-in Power Supply Unit 100-240VAC 12VDC (1.0Amp), Regulated, w. open Ends
<b>70495</b>	<b>VT-PS12DC-7</b>	Plugable PSU w. Cont. & UK Mains plug-in 100-240VAC/12VDC-1.25A, Regulated
<b>77773</b>	<b>VT-PS12DCDT1</b>	PSU 12VDC/1.0A, Regulated, Desktop Version, 1.8m Cables each w. open ends

# VKC-1327A/WDDG1

Home | Security | Dome Cameras | Fixed

## Technical drawing



Maße/Dimensions: mm