

Video Security



VKC-1326/VAR49

1/3" Day/Night Board Camera with
F1.3/3.8-9.5mm Lens, 12VDC, 480TVL

Art-No. 91959



Features

1/3" Day&Night Colour CCD Board Camera, 38x38mm
Varifocal Lens with DC Controlled Iris
Resolution of 480 Horizontal Lines
Sensitivity of 0.005Lux (F1.2) at Sens-up On
Built-in Lens F1.3/3.8-9.5mm with DC Iris Control
Sensitivity Enhancement: 16x/32x (DSS Function)

Digital Signal Processing (DSP)
High Speed Shutter Control (AES)
Adjustable Low Speed Shutter
Automatic White Balance (ATW)
Backlight Compensation (BLC)
Supply Voltage: 12VDC

Specifications

Remarks	The camera is not equipped with a removable IR cut filter (More details upon request)
System	CCIR/PAL
Imager	1/3" Sony Super HAD Interline Transfer CCD
Active picture elements	Approx. 440,000, (H) 752 x (V) 582 Pixels
Signal-to-noise ratio	48dB (AGC OFF)
Synchronization	Internal
Gamma correction	0.45
Horizontal resolution	480 TV lines
Sensitivity at 50% video signal	0.005Lux at F1.2 (with 16x integration rate), VT measurement result
Integration rate	16x/32x, selectable
Electronic shutter	1/4 ~ 1/100,000Sec.
Automatic gain control (AGC)	Built-in
Backlight compensation (BLC)	Center weighted
White balance (ATW)	2000 ~ 8000K, Automatic tracking
Lens	F1.2/F2.0 ~ 360/3.8 ~ 9.5mm with galvanometer controlled iris

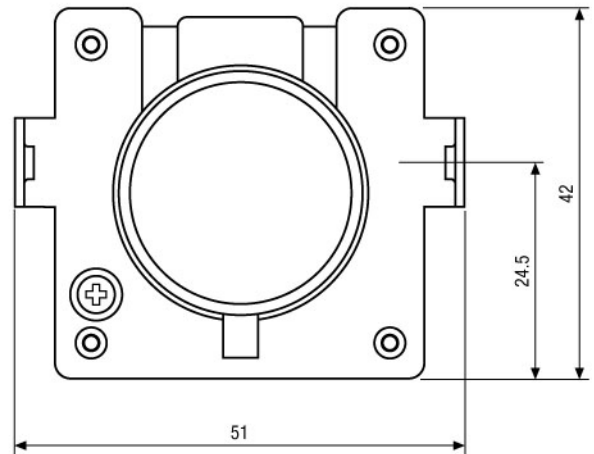
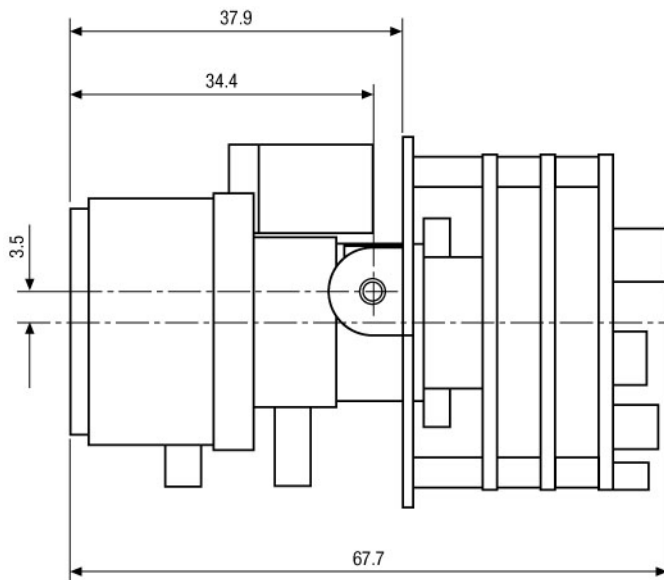
VKC-1326/VAR49

(Specifications continued)

Horizontal angle of view	74,2° ~ 30°
Internal adjustments	Level for DC controlled iris
External connections	Video (BNC), 12VDC (DC socket)
Video output	1Vp-p, CVBS, 75ohms
Supply voltage	12VDC (9 ~ 18VDC)
Power consumption	3.0watts max.
Mounting	Adapter plate supplied (see drawing)
Housing	-
Temperature range	-10°C ~ +50°C
Dimensions (HxWxD)	See drawing
Weight	Approx. 135g

Accessories

77779 / VT-PS12DC-UK	Power Supply Unit w. UK Mains plug-in, 100-240VAC/12VDC-1.0A, Regul., open Ends
70447 / VT-PS12DC-5	Plug-in Power Supply Unit 100-240VAC 12VDC (1.0Amp), Regulated, with DC Plug
77772 / VT-PS12DCDT	PSU 12VDC/0,5A, Regulated, Desktop Version, 1.8m Cable each w. open ends



Maße/Dimensions: mm