

VKC-1324B/W3

Home | Security | Cameras | Plug & Play

VKC-1324B/W3

1/3" Camera, Colour, F1.2/3.8-9.5mm, 540TVL,

12VDC

Art-Nr. 96102



Main Features

Weatherproof camera with swivel head bracket
1/3" colour CCD camera with varifocal lens
Built-in Lens F1.2/3.8-9.5mm with DC Iris Control
Sensitivity: 0.5Lux at F1.2 (colour)
Resolution of 540 Horizontal Lines
Digital signal processing (DSP)

Backlight compensation (BLC)
Automatic shutter control (ESC)
Enhanced sharpness compensation
Supply Voltage: 12VDC
Fully hidden cable routing
Protection rating: IP67

Specifications

Series	eneo W3 Plug & Play
System	Colour
Video standard	CCIR/PAL
Sensor size	1/3"
Imager	CCD, Sony Super HAD II Interline Transfer
Active picture elements	440,000, 752(H) x 582(V)
Synchronization	Internal
Signal-to-noise ratio	50dB (AGC OFF)
Horizontal resolution	540 TVL
Sensitivity (at 50% video signal)	0,2 Lux, at F1.2 (measured)
Automatic electronic shutter (ESC)	1/50 ~ 1/100,000sec.
Low Speed Shutter	no
Automatic gain control (AGC)	28dB (AGC OFF)

VKC-1324B/W3

(Continuation Specifications)

Digital Noise Reduction (DNR)	no
Flickerless function	On/Off switchable
White balance	Automatic (2000K - 8000K)
Backlight compensation	BLC, center weighted
Wide Dynamic Range (WDR)	no
Aperture Correction (APC)	horizontal and vertical
IR cut filter	standard
Video outputs	composite (CVBS)
Lens type	varifocal
Lens	F1.2/F2.0 ~360/3.8 ~9.5mm with galvanometer controlled iris
Focal length	3,8 mm - 9,5 mm
PTZ Support	no
Digital Zoom	no
Horizontal angle of view	74,2° - 30°
Iris control	DC
MOD (Minimum object distance)	0,15 m
Filter screw size	not available
Illumination	no
Activity detection	no
Serial interfaces	no
Operations	DIP switches for: ALC/ESC, BLC ON/OFF, Flickerless ON/OFF. Level for DC controlled iris
Cable connection	Wiring for video and voltage supply made, accessible from outside (1.5m long, Video: BNC jack 12/24V input: for DC plug 2.1/5.5mm)
Kind of mounting	Integrated wall mount with ball joint
Mounting	Wall or Ceiling*)
Temperature range (Operation)	-20°C ~+50°C
Housing material	aluminium
Housing	outdoor
Integrated wall mount	yes
Hidden cable management	yes
Window screen	Acrylic glass (clear)
Sunshield	no
Window heater	no
Clear Shield	no
Colour (housing)	Pantone 7541
Vandalism resistant	no
Protection rating	IP67
Alarm inputs	no
Alarm outputs	no

VKC-1324B/W3

(Continuation Specifications)

Supply voltage	12VDC, (9 ~18VDC)
Power consumption	1.5W
Weight	620g
Parts supplied	Camera, Manual, "Easy installation" adapter cable, Heat shrink tube
Certificates	CE

Optional accessories

7773	VT-PS12DCDT1	PSU 12VDC/1.0A, Regulated, Desktop Version, 1.8m Cables each w. open ends
73179	PM-42	Pole Mount Adapter, for Housing Series Candid, W3 Plug&Play
88148	W3 INST-KIT1	Installation Kit for W3 Housings with Hidden Junction Boxes
70543	VT-PS12DC-10	Plugable AC/DC Adapter 100-240V/12VDC- 2.5A, stab., Cont. & UK Mains plug-ins

VKC-1324B/W3

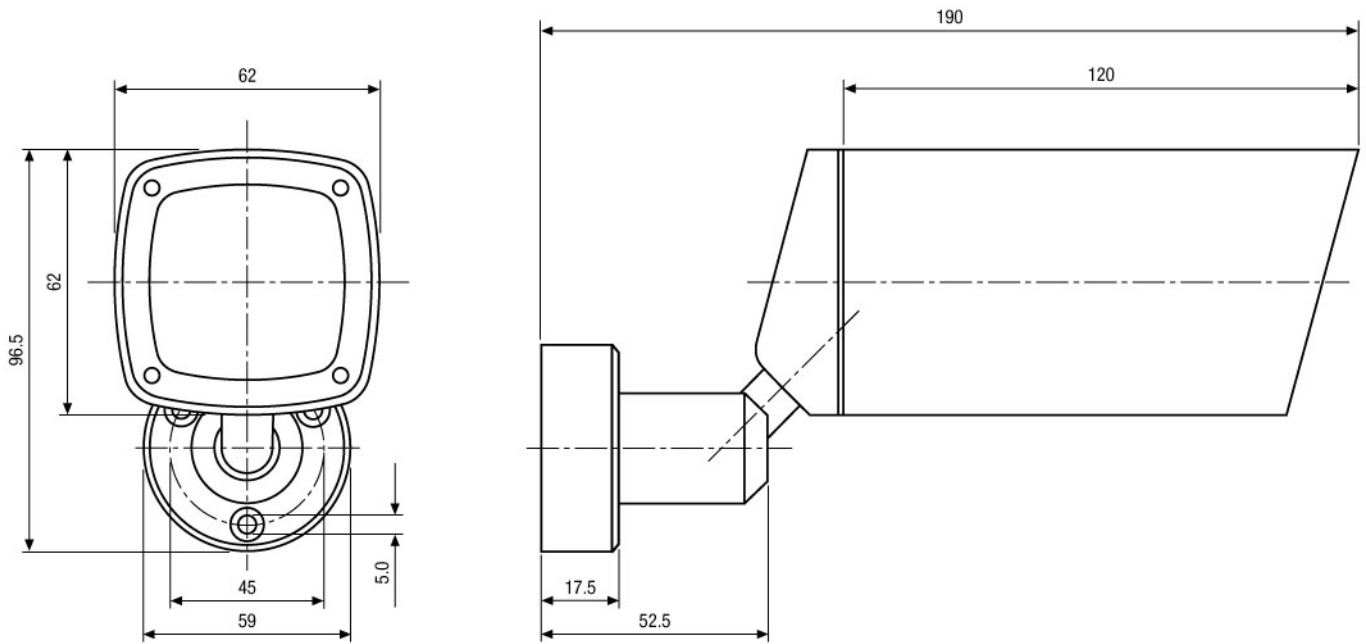
Product information

*) For ceiling installation please contact Videor in advance. They will modify the camera before shipping.

VKC-1324B/W3

Home | Security | Cameras | Plug & Play

Technical drawing



Maße/Dimensions: mm