

Video Security

Cameras | Security Cameras

VKC-1320/12-24

1/3" Colour Camera with Built-in 3.3-8mm Varifocal Lens, DSP, 12VDC/24VAC, 480TVL

Art-No. 91977



Features

Resolution of 480 Horizontal Lines

Digital Signal Processing (DSP)

Automatic Gain Control (AGC)

Horizontal and Vertical Aperture Correction (APC)

Backlight Compensation (BLC)

Flickerless Function

Internal/Line-lock Synchronization

Integral Varifocal Lens F1.4/3.3-8mm

Auto-Iris Control

Selectable White Balance Function (ATW/AWB)

Supply Voltage: 12VDC/24VAC

Specifications

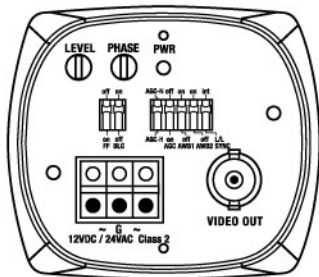
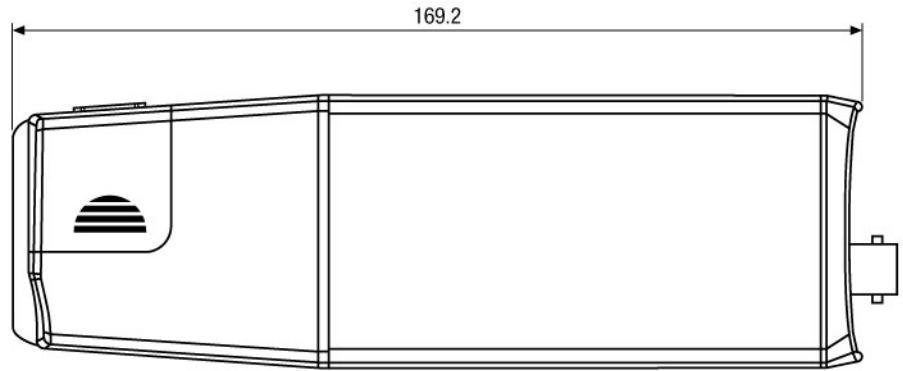
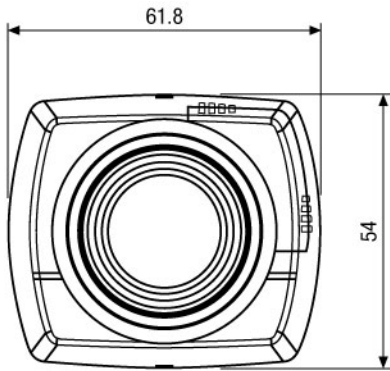
| | |
|---------------------------------|--|
| System | CCIR/PAL |
| Imager | 1/3" Sony Super HAD Interline Transfer CCD |
| Active picture elements | Approx. 480,000; 795(H) x 596(V) |
| Signal processing | DSP |
| Synchronization | Internal or Line-lock |
| Sensitivity at 50% video signal | 0.55Lux at F1.4 (VT measurement result at AGC High); 0.4Lux at F1.2 |
| Horizontal resolution | 480 TV lines |
| Line-lock synchronisation | Range: 0 ~ 360° |
| Automatic gain control (AGC) | Normal/High and ON/OFF switchable |
| White balance | ATW, AWB, Indoor/Outdoor |
| Flickerless function | ON/OFF switchable |
| Signal-to-noise ratio | 50db (AGC OFF) |
| Aperture Correction (APC) | Horizontal and vertical |
| Backlight compensation (BLC) | ON/OFF switchable |
| Lens | F1.4/3.3 ~ 8mm with galvanometer driven iris |
| Iris control | Automatic |

(Specifications continued)

| | |
|-----------------------------|--|
| External adjustments | BLC ON/OFF, AGC ON/OFF, AGC Normal/High, Flickerless (ON/OFF), White balance (ATW/AWB, Indoor/Outdoor), Level for the DC controlled lens, V-phase adjustment, Internal/line-lock synchronization |
| Video output | 1Vp-p, CVBS, 75ohms |
| External connections | Video (BNC), Power input |
| Camera mount | 1/4" - 20 UNC thread on top and bottom |
| Supply voltage | 12VDC (+/-10%), 24VAC (+/-10%) 50Hz |
| Power consumption | Approx. 3.2watts |
| Temperature range | -10°C ~ +50°C |
| Dimensions (HxWxD) | See drawing |
| Colour | Body: Pantone 877, Front and back: Pantone 8400C |
| Weight | 340g |

Accessories

| | |
|------------------------------|---|
| 70769 / WD-22 | Wall Mount Bracket with Ball Joint, 1/4" Camera Fixing Screw, Beige Grey |
| 70697 / WD-21/RAL9006 | Wall Mount Bracket with Ball Joint, 1/4" Camera Fixing Screw, RAL9006 |
| 70771 / WD-23 | Wall Mount Bracket with Ball Joint, 1/4" Camera Fixing Screw, Pantone 877 |
| 70448 / VT-PS12DC-6 | Plug-in Power Supply Unit 100-240VAC 12VDC (1.0Amp), Regulated, w. Open Ends |
| 77779 / VT-PS12DC-UK | Power Supply Unit w. UK Mains plug-in, 100-240VAC/12VDC-1.0A, Regul., open Ends |
| 77772 / VT-PS12DCDT | PSU 12VDC/0,5A, Regulated, Desktop Version, 1.8m Cable each w. open ends |



Maße/Dimensions: mm

VIDEOR TECHNICAL E. Hartig GmbH
 Carl-Zeiss-Straße 8 · 63322 Rödermark · Germany
 Telefon +49 (0) 60 74/8 88-0 · Telefax +49 (0) 60 74/8 88-100
 info@videortechnical.com · www.videortechnical.com

