

## Video Security



### VK-133/W1

1/3" B&W Camera with 3.8mm lens in VHP-1 Housing with Wall Bracket WD-21, 420TVL

Art-No. 96005



### Features

**B&W Board Camera VK-133 in Weatherproof Housing**

**1/3" CCD Sensor Chip**

**Resolution of 420 Horizontal Lines**

**Electronic Shutter Control (ESC)**

**High Sensitivity**

**Integrated Lens: F2.0/3.8mm**

**Supply Voltage: 12VDC**

**Insulated Camera Mounting**

**Compact Version**

**Index of Protection: IP67**

**Wall Bracket Included**

### Specifications

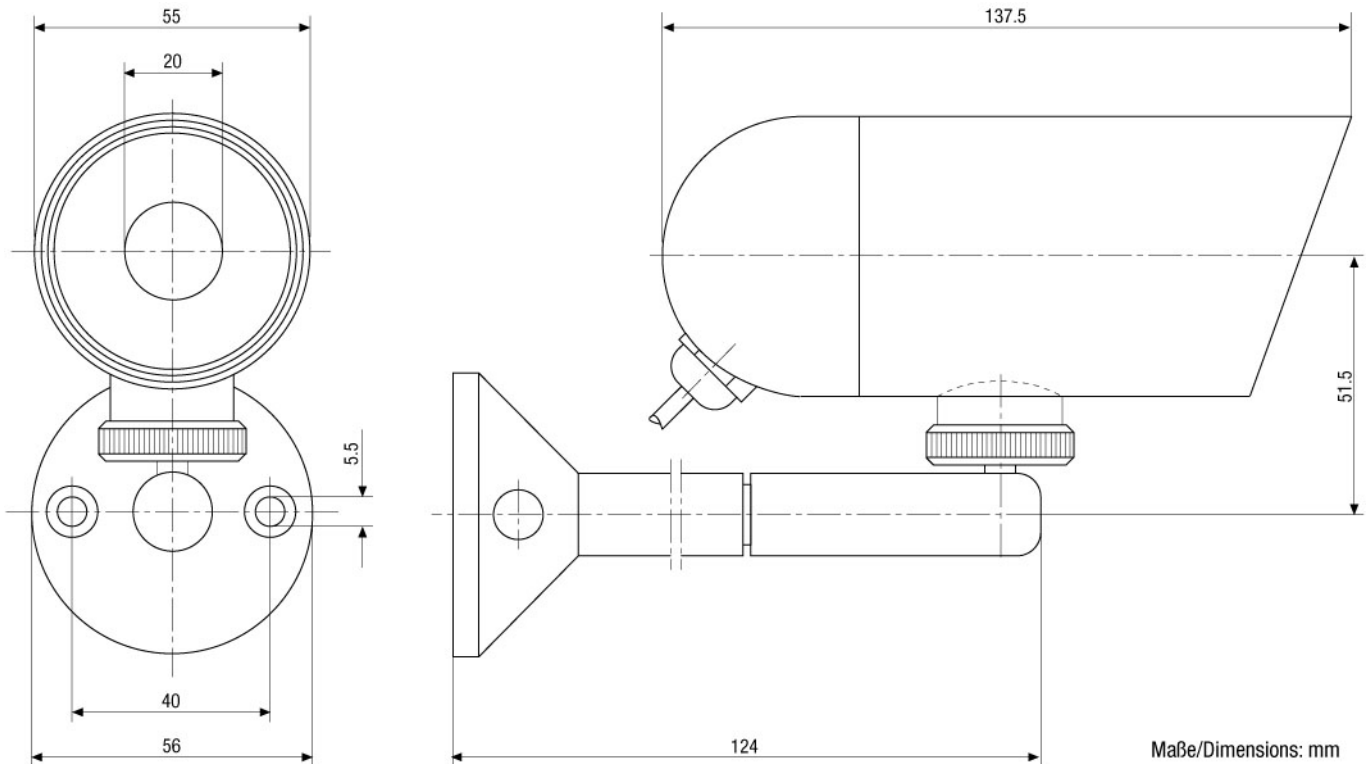
<b>System</b>	CCIR
<b>Imager</b>	1/3" Sony Super HAD Interline Transfer CCD
<b>Active picture elements</b>	Approx. 290,000 (H) 500 x (V) 582
<b>Synchronization</b>	Internal
<b>Gamma correction</b>	0.45
<b>Horizontal resolution</b>	420 TV lines
<b>Sensitivity at 50% video signal</b>	1.6Lux at F2,0 (VT measurement result); 0.58Lux at F1.2
<b>Electronic shutter control (ESC)</b>	1/50 to 1/100,000 sec.
<b>Aperture Correction (APC)</b>	Yes (horizontal)
<b>Video output</b>	1 Vp-p, VBS, 75 ohms
<b>Integrated lens</b>	F2.0/3.8 mm w./o. iris
<b>Horizontal angle of view</b>	65°
<b>Cable entry</b>	Wiring for video and voltage supply made, accessible from outside
<b>Housing</b>	Aluminium with glass screen
<b>Heater/sunshield</b>	No
<b>Colour</b>	Anodized aluminium (CO)
<b>Protection rating</b>	IP 67

(Specifications continued)

<b>Supply voltage</b>	12 VDC +/-10 %
<b>Power consumption</b>	Approx. 1.5watts
<b>Temperature range</b>	-30°C to +40°C
<b>Dimensions (HxWxD)</b>	See drawing
<b>Weight (w./o. wall bracket)</b>	280 g
<b>Parts supplied</b>	Wall bracket WD-21/MK, 3mm Allen wrench key, Bag of screws

**Accessories**

<b>40061 / H0820M</b>	F2.0/8mm Board Camera Lens, 1/3" M12X0.5
<b>77779 / VT-PS12DC-UK</b>	Power Supply Unit w. UK Mains plug-in, 100-240VAC/12VDC-1.0A, Regul., open Ends
<b>40065 / H1225</b>	F2.5/12mm Board camera lens, 1/3" M12x0.5
<b>40072 / H0620M</b>	F2.0/6mm Board Camera Lens, 1/3" M12x0.5
<b>77772 / VT-PS12DCDT</b>	PSU 12VDC/0,5A, Regulated, Desktop Version, 1.8m Cable each w. open ends
<b>70448 / VT-PS12DC-6</b>	Plug-in Power Supply Unit 100-240VAC 12VDC (1.0Amp), Regulated, w. Open Ends



Maße/Dimensions: mm

VIDEOR TECHNICAL E. Hartig GmbH  
 Carl-Zeiss-Straße 8 · 63322 Rödermark · Germany  
 Telefon +49 (0) 60 74/8 88-0 · Telefax +49 (0) 60 74/8 88-100  
 info@videortechnical.com · www.videortechnical.com

