

# Video Security

Dome Cameras | eneo Vandalism-Proof Fix Domes

## VK-1320/WDDG1

1/3" B/W Dome Camera, In-Ceiling Mount  
with 4-8mm Varifocal Lens, 12VDC, 380TVL

Art-No. 91971



## Features

For Wall and In-ceiling Mount  
Vandal and Tamper-Resistant  
Clear Lexan Bubble with Inner Liner  
1/3" B&W CCD Board Camera w. Manual Varifocal Lens  
Integrated F1.6/4-8mm Varifocal Lens  
Resolution of 380 Horizontal Lines

Automatic Shutter Control (AES)  
Automatic Gain Control (AGC)  
Back Light Compensation (BLC)  
Manual 3-axis Camera Adjustment  
For Easy Indoor Installation

## Specifications

Video standard	CCIR
System	black/white
Sensor size	1/3"
Imager	CCD, 1/3" Interline transfer CCD
Active picture elements	approx. 300,000, 512(H) x 582(V)
Synchronization	Internal
Signal-to-noise ratio	46db (AGC OFF)
Sensitivity (at 50% video signal)	0,14Lux, at F1.2, 0.3Lux at F2.0 (VT measurement result)
Horizontal resolution	380TVL
Rotation range	manual: 360°
Gain control	Automatic
Gamma correction	0.45
Automatic shutter control (AES)	1/50 ~ 1/100,000sec.
Integration rate	no
Backlight compensation	BLC, 60% center weighted
IR cut filter	no
Video outputs (type)	VBS
Video outputs	1Vp-p, VBS, 750hm

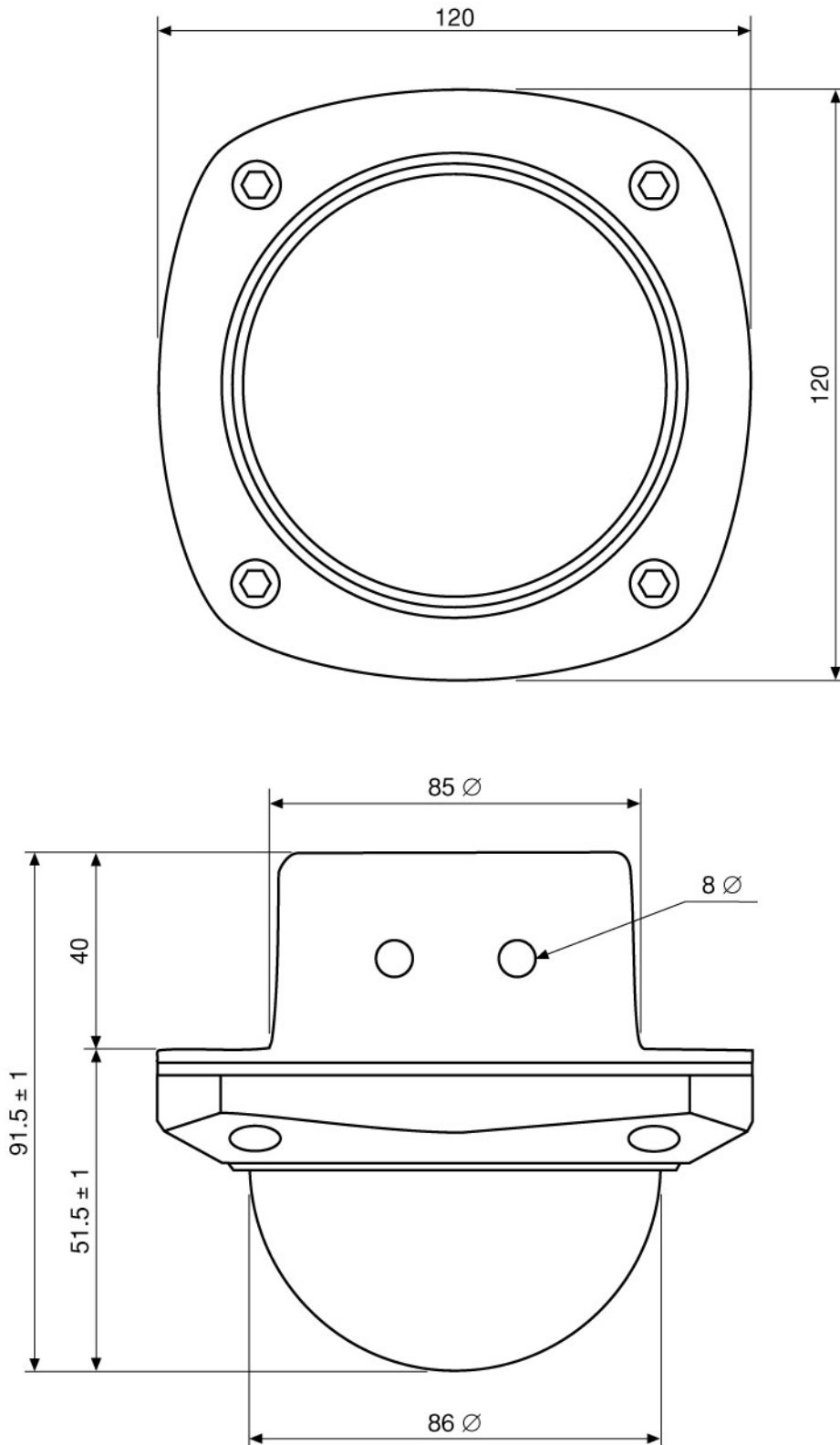
## VK-1320/WDDG1

(Specifications continued)

<b>Lens mount</b>	integrated lens
<b>Lens type</b>	varifocal
<b>Lens</b>	F1.6~2.4 / 4~8mm (fixed iris)
<b>Application range</b>	security
<b>Nominal format size</b>	1/3"
<b>Aspherical technology</b>	no
<b>Focal length</b>	4-8mm
<b>Horizontal angle of view</b>	63-34°
<b>Iris control</b>	no
<b>Mount</b>	n/a
<b>Cable connection</b>	Video (BNC), 12VDC (DC jack)
<b>Cable entry</b>	2x 8mm holes with rubber glands
<b>Serial interfaces</b>	no
<b>Temperature range (Operation)</b>	-10°C ~ +40°C
<b>Heater</b>	no
<b>Protection rating</b>	IP65, at installation according to the manual
<b>Supply voltage</b>	12VDC
<b>Power consumption</b>	Approx. 2.0watts
<b>Vandalism resistant</b>	yes
<b>Bubble</b>	Vandal resistant 3mm clear polycarbonate bubble with inner liner
<b>Colour (bubble)</b>	clear
<b>Camera fixing</b>	board
<b>Mounting</b>	wall mount, in-ceiling mount
<b>Housing</b>	indoor housing, Die-cast aluminium with clear polycarbonate bubble
<b>Housing material</b>	aluminium
<b>Colour (housing)</b>	Pantone Cool Gray 1C
<b>Dimensions (HxWxD)</b>	See drawing
<b>Weight</b>	approx. 750g
<b>Parts supplied</b>	Mounting kit, Torx wrench key

## Accessories

<b>70447 / VT-PS12DC-5</b>	Plug-in Power Supply Unit 100-240VAC 12VDC (1.0Amp), Regulated, with DC Plug
<b>77773 / VT-PS12DCDT1</b>	PSU 12VDC/1.0A, Regulated, Desktop Version, 1.8m Cables each w. open ends



Maße/Dimensions: mm

VIDEOR TECHNICAL E. Hartig GmbH  
Carl-Zeiss-Straße 8 · 63322 Rödermark · Germany  
Telefon +49 (0) 60 74/8 88-0 · Telefax +49 (0) 60 74/8 88-100  
info@videortechnical.com · www.videortechnical.com