



## VHU-260/230V

Article-No.: 79493

Candid weatherproof Housing  
(260mm), with Heater and  
Thermostat, 230VAC

### Mainfeatures

Camera weatherproof housing for small cameras  
For wall/ceiling and upright mounting  
Window heater: 230V  
Cable entry: M25X1.5mm

Integrated ball point head for smooth adjustment  
For cameras with 230VAC power input  
Insulated camera mounting  
Fully hidden cable routing



### Specifications

Series	eneo Candid
Maximum installation length	260
Window screen	PC (Lexan)
Clear Shield	no
Window heater	yes
Window heater	230V
Thermostat	On: +16°C, Off: +20°C
Blower	no
Wiper	no
Supply voltage	230VAC
Sunshield	yes
Hidden cable management	yes
Cable entry	M25 x1.5mm with 4 entries for different cable diameters
Integrated wall mount	yes
Protection rating	IP66/67
Housing	outdoor
Housing material	aluminium
Colour (housing)	RAL9016, RAL7035, RAL7037

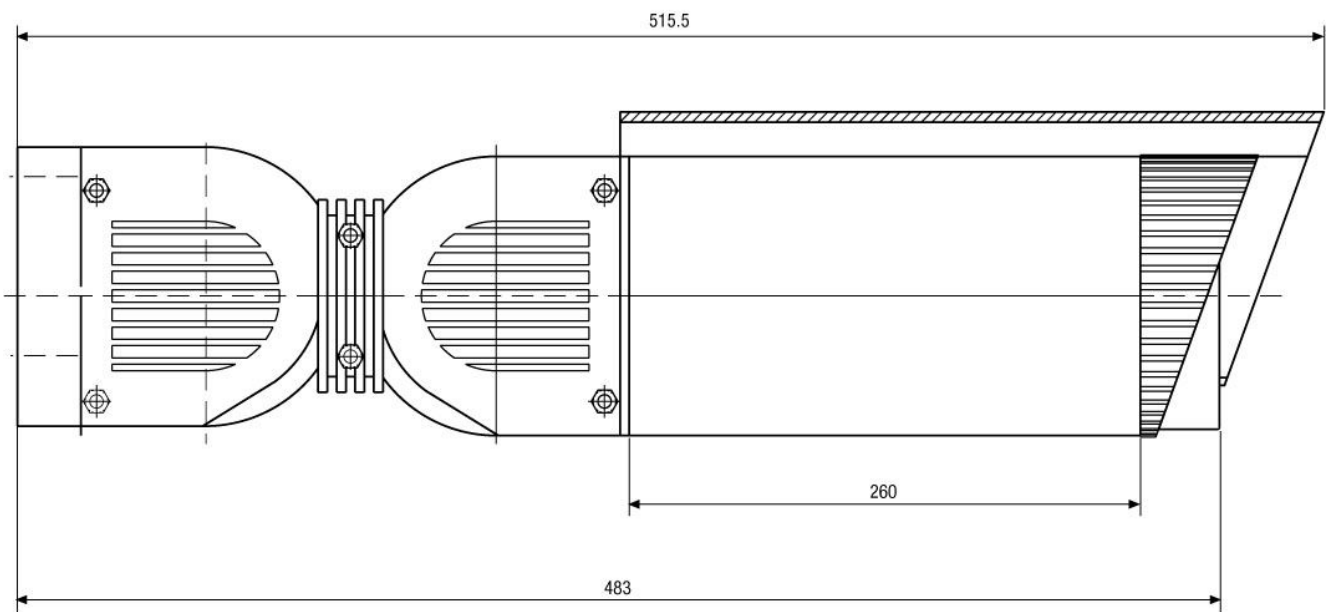
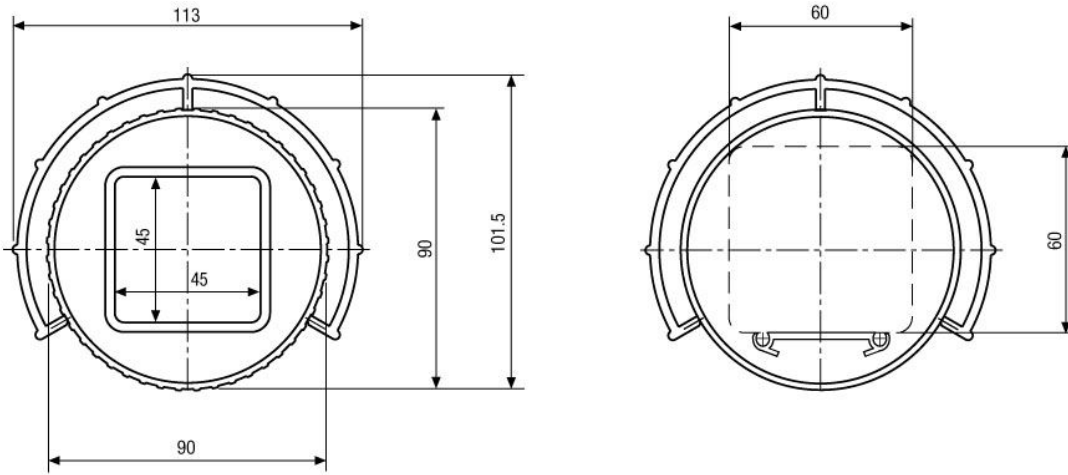
## Specifications (continued)

Colour	(Sunshield and body) RAL7035 (Front and back) RAL7037 (Inner ball, fixing ring)
Dimensions (HxWxD)	see drawing
Weight	1.4kg
Parts supplied	3mm Allen key, Bag of fixing screws

## Optional Accessories

Image	Artikel-Nr. / Typ	Description
	PM-41	Pole Mount Adapter for Housing Series Candid, RAL7035
	PM-42	Pole Mount Adapter, for Housing Series Candid, W3 Plug&Play

## Technical Drawing



Maße/Dimensions: mm



Your partner for eneo products:

