

Video Security

Housings | eneo CANDID Housings

VHU-165/24V

Candid weatherproof Housing (165mm),
with Heater and Thermostat, 24VAC

Art-No. 79549



Features

Camera Weatherproof Housing for Small Cameras
Integrated Ball Point Head for Smooth Adjustment
For Wall/Ceiling and Upright Mounting
For Cameras with 12VDC, 24VAC Power Input
Insulated Camera Mounting

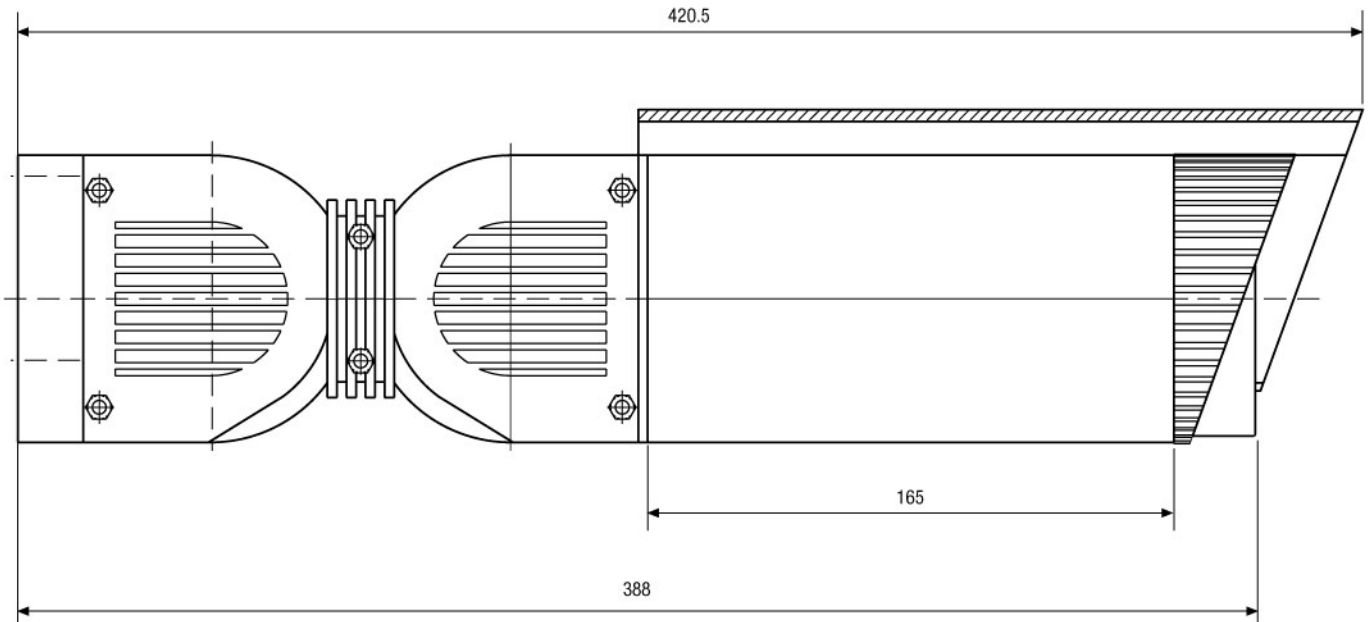
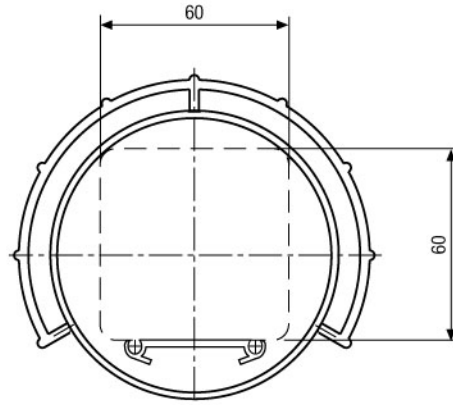
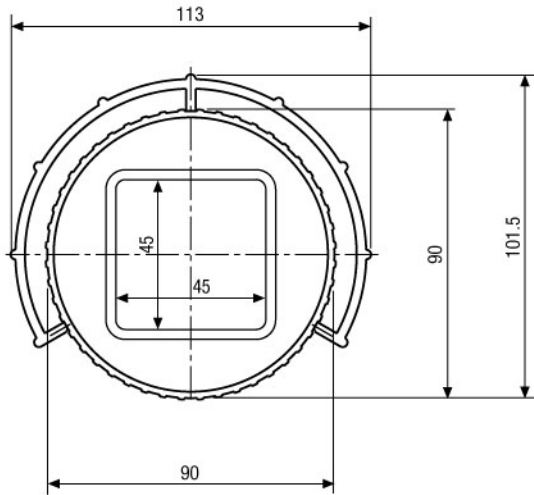
4 Cable Entries
Fully Hidden Cable Routing
24V Window Heater
Index of Protection: IP66/67

Specifications

Maximum installation length	165 mm
Cable entry	M25 x 1.5 mm with 4 entries for different cable diameters
Window heater	24 VAC/DC thermostatically controlled, approx. 7 W
Housing	Aluminium w. plastic front and back
Sunshield	Yes
Protection rating	IP 66/67
Colour	RAL 9016 (Sunshield and body) RAL 7035 (Front and back) RAL 7037 (Inner ball, fixing ring)
Dimensions (HxWxD)	See drawing
Weight	1.2 kg
Parts supplied	3mm Allen wrench key, Bag of fixing screws

Accessories

79499 / VHU-AKS/12-24V	Connecting Cable Set 12VDC/24VAC/Video for Candid Housing
79557 / VHU-NT2	Power Supply unit for Candid Housing Series 230VAC/2x 24VAC (Camera/Heater)



Maße/Dimensions: mm

VIDEOR TECHNICAL E. Hartig GmbH
 Carl-Zeiss-Straße 8 · 63322 Rödermark · Germany
 Telefon +49 (0) 60 74/8 88-0 · Telefax +49 (0) 60 74/8 88-100
 info@videortechnical.com · www.videortechnical.com

