



CANDID-Weatherproof Housings

FDP-No.: 79498

VHP-1

- Camera Weatherproof Housing (32x32mm Brd. Cameras)
- For Wall and Ceiling Mounting
- For Cameras with 6 to 12 VDC Power Supply
- Insulated Camera Mounting
- Cable Entry: PG 7
- Index of Protection: IP 66/67
- Wall Bracket Included



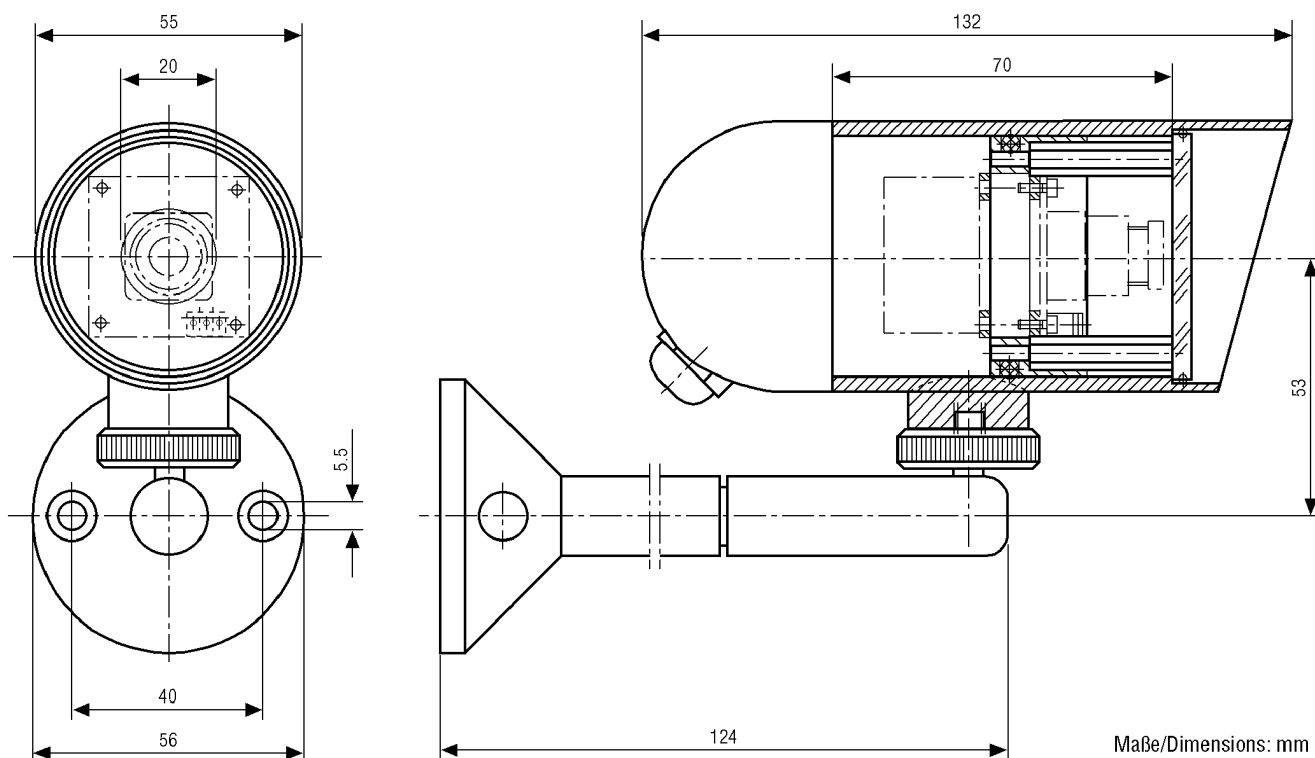
Specifications:

| | |
|-----------------------------|--|
| Maximum installation length | 70 mm |
| Cable entry | PG 7 cable gland for a multi core cable |
| Screen heater | No |
| Sunshield | No |
| Protection rating | IP 67 |
| Housing | Aluminium w. glass front screen |
| Colour | Anodized aluminium (CO) |
| Dimensions (HxWxD) | See drawing |
| Weight | 250 g |
| Parts supplied | 3mm Allen wrench key, Bag of fixing screws |

| Zubehör von | |
|----------------|---|
| EDP No. / Type | Description |
| 91746 VK-133 | B&W CCD board camera with f3.8mm lens, automatic shutter control, automatic gain control |
| 91756 VKC-144 | Colour CCD board camera with lens F 2.0/3.6 mm, shutter control (ESC), gain control (AGC), Backlight compensation (BLC) |

VHP-1

| EDP No. / Type | Description |
|----------------|---|
| 91811 VKC-148 | HiRes colour CCD two-board camera with lens F 2.0/2.9 mm, shutter control (ESC), gain control (AGC) |



Die Kamera gehört nicht zum Lieferumfang / Camera is not subject of delivery

e-mail: info@eneo-security.com • www.eneo-security.com