

# VHM/ZLB

Home | Security | Housings | for Boxed Cameras

VHM/ZLB

Weatherproof Housing (330),

Central Plug with 24V Heater, RAL7032

**Art-Nr. 79608**



## Main Features

**Camera Weatherprotection**

Housing Body Length: 330mm

Fold-down Housing Body

4 Levels of Camera Height Adjustment

Insulated Camera Mounting

**External 30-pin Plug Connector**

Cable Connection with Metal Gland M25x1.5mm

Screen Heater 24(12)V Included

Viewing Screen with "Clear-Shield" Technology

Housing Surface: RAL7032

## Specifications

<b>Series</b>	eneo VHM
<b>Maximum installation length</b>	330
<b>Window screen</b>	Coated with "Clear Shield" Technology. With this technology the glass corrosion, caused by environmental pollution, is avoided and screen cleaning cycles will be extended. The coating is UV light resistant, colour neutral and it causes no F-stop loss.
<b>Clear Shield</b>	yes
<b>Window heater</b>	yes, 24V (12V), 6watts
<b>Thermostat</b>	On: +16°C, Off: +20°C (see screw terminal board no. 79609)
<b>Blower</b>	no
<b>Wiper</b>	no
<b>Supply voltage</b>	24VAC
<b>Sunshield</b>	yes
<b>Hidden cable management</b>	no
<b>Cable entry</b>	Metal gland M25x1.5mm (for cable diameter 9~17mm)

## VHM/ZLB

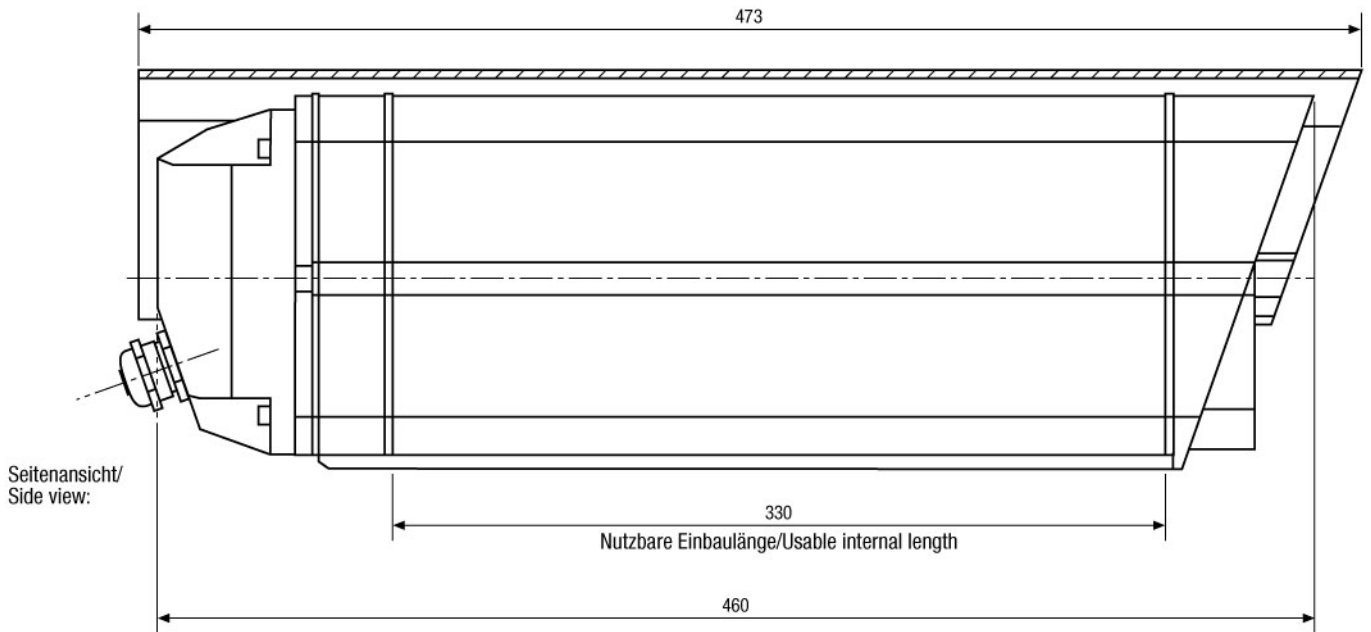
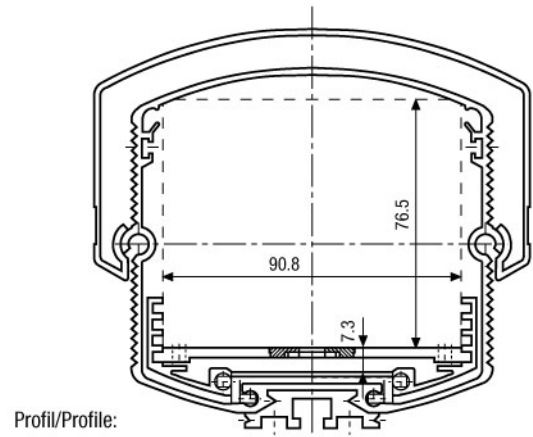
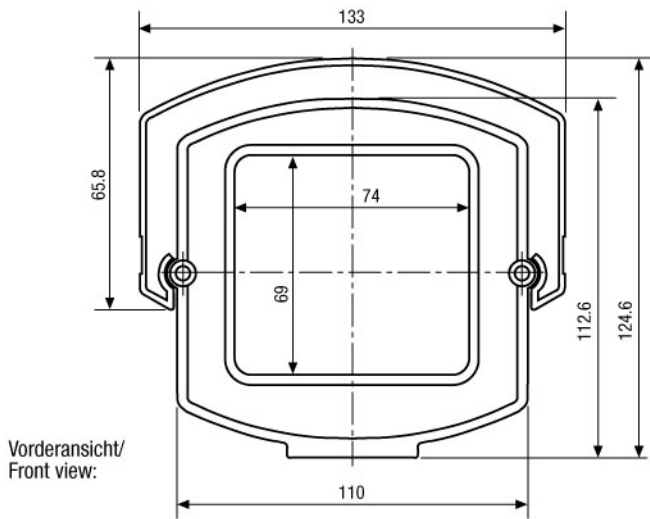
(Continuation Specifications)

<b>Cable connection</b>	Mains connection board VHM/KV1: see accessories
<b>Integrated wall mount</b>	no
<b>Protection rating</b>	IP66
<b>Housing</b>	Outdoor
<b>Housing material</b>	Aluminium
<b>Housing</b>	Aluminium with plastic covers (ABS)
<b>Colour (housing)</b>	RAL7032
<b>Dimensions (HxWxD)</b>	See drawing
<b>Weight</b>	2.9kg
<b>Parts supplied</b>	Screw set, Central plug with built-in 30-pin connector

### Optional accessories

<b>70457</b>	<b>AK-3</b>	Camera Connection box, 230VAC Input, 24VAC-3.2A, 12VDC-1A Outputs
<b>73178</b>	<b>WD-16/MK-KG</b>	Wall Mount with Swivel Head for VHM Weatherproof Housings, RAL7032
<b>73064</b>	<b>WD-16/MK</b>	Wall Mount with Swivel Head for VHM Weatherproof Housings, RAL7032
<b>87404</b>	<b>MCAB-1</b>	Camera/PT Head Connecting Cable f. Video Power, RS-Control or Network, 1 Metre
<b>79609</b>	<b>VHM/KV1</b>	Cable Connection Board with Thermostat for VHM/Z Housing

## Technical drawing



Maße/Dimensions: mm

VIDEOR E. Hartig GmbH, Carl-Zeiss-Straße 8, 63322 Rödermark, Germany -  
[www.videor.com](http://www.videor.com)

