



VHM/ZLB-W

Article-No.: 79682

Weatherproof Housing (330),
Heater, Central Plug,
RAL9016/7035

Mainfeatures

Camera weather protection
Fold-down housing body
Insulated camera mounting
Cable entry with metal gland M25x1.5mm
Window glass with "Clear-Shield" technology

Housing body length: 330mm
4 levels of camera height adjustment
Central connector with 30 pin contact strip
Window heater & thermostat 24(12)V included
Protection rating: IP66



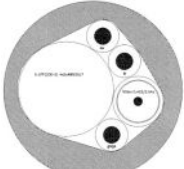

Specifications

Series	eneo VHM
Maximum installation length	330
Window screen	coated with "Clear Shield" technology, with this technology the glass corrosion, caused by environmental pollution, is avoided and screen cleaning cycles will be extended; the coating is UV light resistant, colour neutral and it causes no F-stop loss
Clear Shield	yes
Window heater	yes
Window heater	24V (12V), 6watts
Thermostat	On: +16°C, Off: +20°C (see screw terminal board no. 79609)
Blower	no
Wiper	no
Supply voltage	24VAC
Sunshield	yes
Hidden cable management	no
Cable entry	Metal gland M25x1.5mm (for cable diameter 9-17mm)
Cable connection	Mains connection board VHM/KV1: see accessories

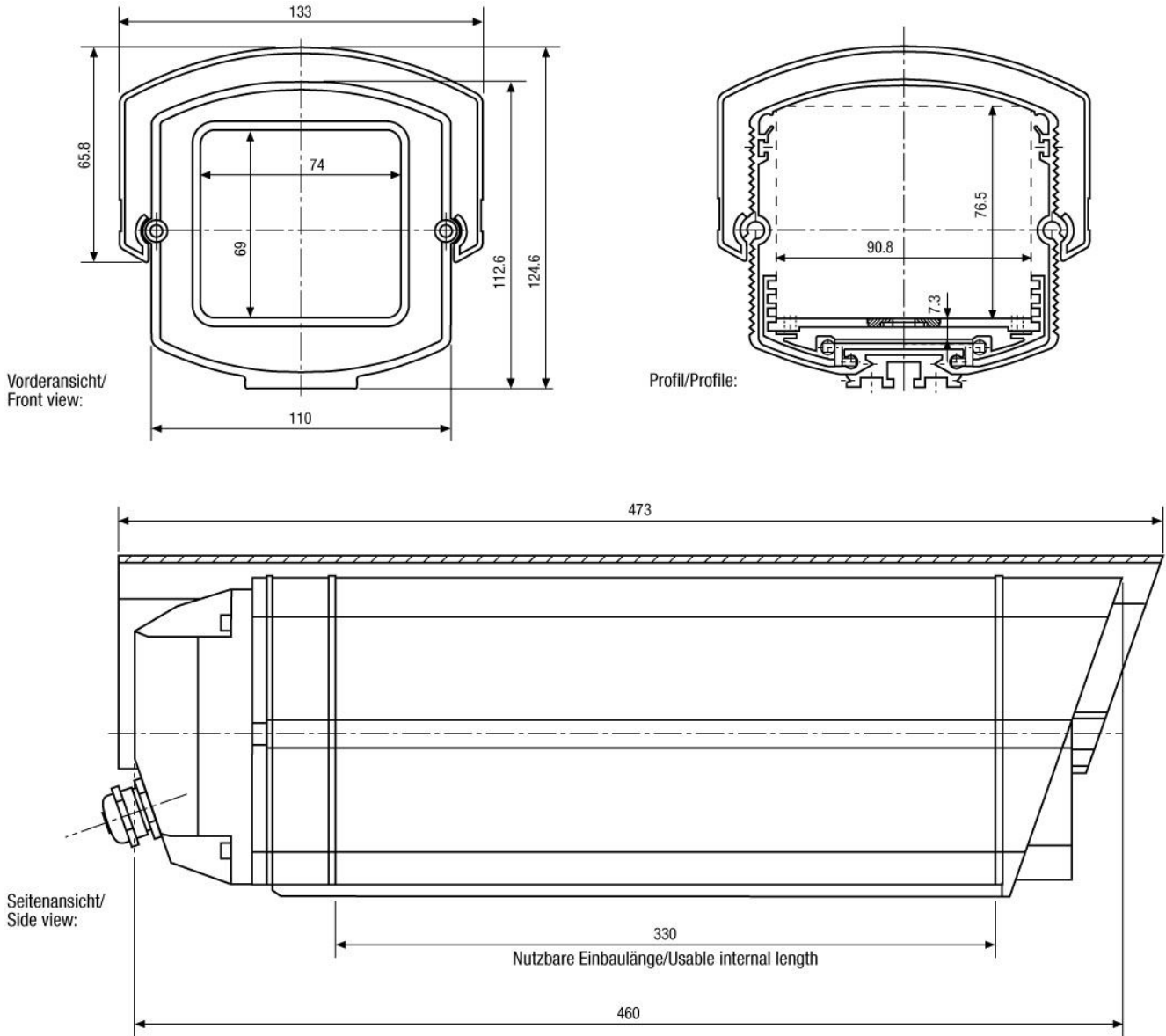
Specifications (continued)

Integrated wall mount	no
Protection rating	IP66
Housing	outdoor
Housing material	aluminium
Housing	aluminium with plastic covers (ABS)
Colour (housing)	RAL9016, RAL7035
Temperature range	-30 to +60°C
Dimensions (HxWxD)	see drawing
Weight	2.9kg
Parts supplied	Screw set, Central plug with built-in 30-pin connector

Optional Accessories

Image	Artikel-Nr. / Typ	Description
	WD-16/MK-W	Wall Mount with Swivel Head for VHM Weatherproof Housings, RAL9016
	VHM/KV1	Cable Connection Board with Thermostat for VHM/Z Housing
	MCAB-1	Camera/PT Head Connecting Cable, for Video, Power, RS-Control, Network, 1m
	AK-3	Camera Connection box, 230VAC Input, 24VAC-3.2A, 12VDC-1A Outputs

Technical Drawing



Maße/Dimensions: mm



Your partner for eneo products:

