

Video Security



Housings | eneo System Housings

VHM/ZLA

Weatherproof Housing (330), Central Plug with 230V Heater, RAL7032

Art-No. 79607



Features

Camera Weatherprotection

Housing Body Length: 330mm

Fold-down Housing Body

4 Levels of Camera Height Adjustment

Insulated Camera Mounting

External 30-pin Plug Connector

Cable Connection with Metal Gland M25x1.5mm

PTC Screen Heater 230VAC Included

Viewing Screen with "Clear-Shield" Technology

Housing Surface: RAL7032

Specifications

Maximum installation length	330mm
Space for power supply	NE-112 (12VDC or 24VAC): 85mm NE-112/2 (12VDC/24VAC): 110mm
Window screen	Coated with "Clear Shield" Technology. With this technology the glass corrosion, caused by environmental pollution, is avoided and screen cleaning cycles will be extended. The coating is UV light resistant, colour neutral and it causes no F-stop loss.
Clear Shield	yes
Window heater	yes, 110 ~ 265VAC / approx. 9watts
Thermostat	On: +16°C, Off: +20°C (see screw terminal board no. 79609)
Sunshield	yes
Hidden cable management	no
Cable entry	Metal gland M25x1.5mm (for cable diameter 9~17mm)
Cable connection	Mains connection board VHM/KV1: see accessories
Integrated wall mount	no
Protection rating	IP66
Housing	outdoor housing, Aluminium with plastic covers (ABS)
Housing material	aluminium

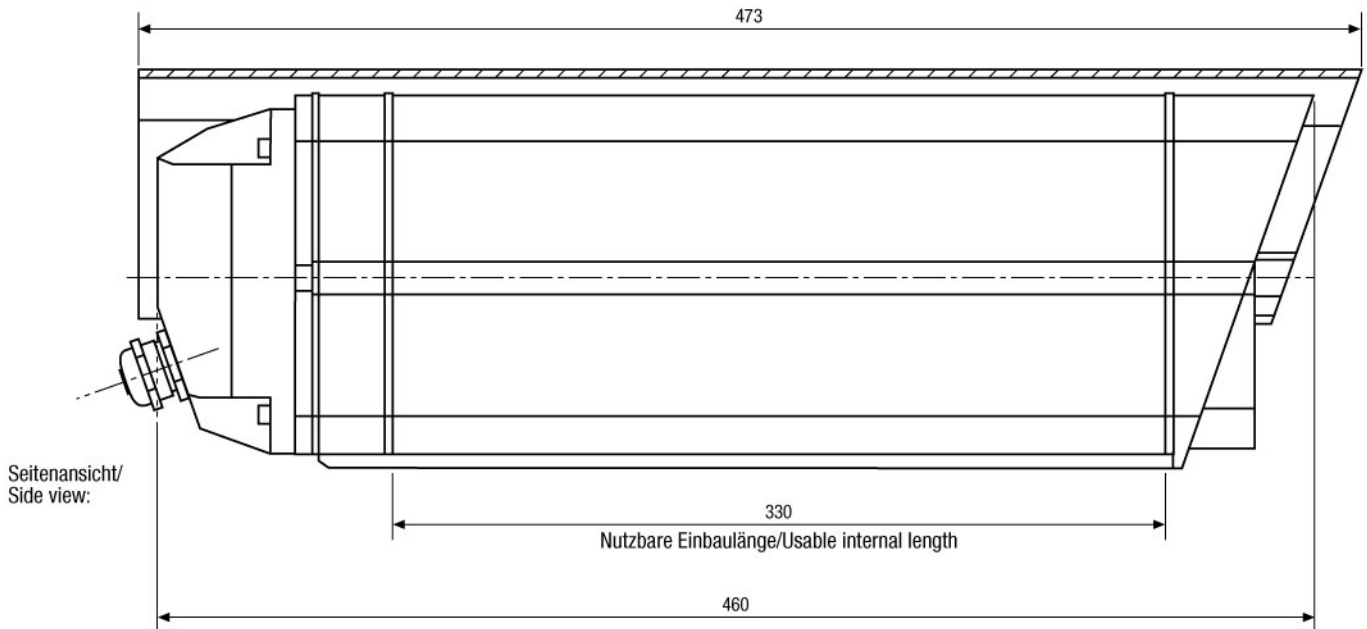
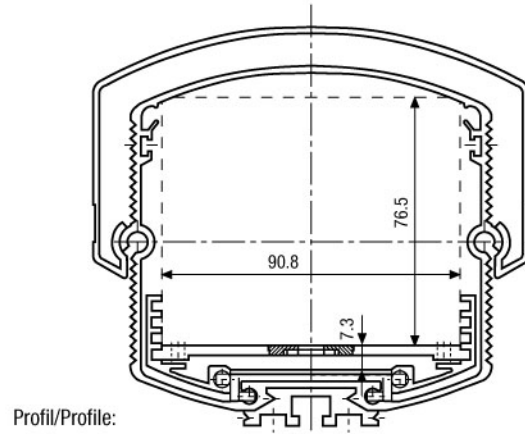
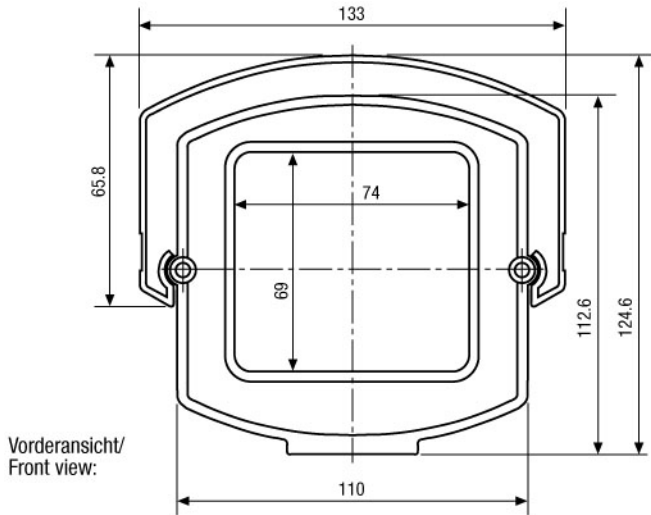
VHM/ZLA

(Specifications continued)

Colour (housing)	RAL7032
Dimensions (HxWxD)	See drawing
Weight	2.9kg
Parts supplied	Screw set, Central plug with built-in 30-pin connector

Accessories

73064 / WD-16/MK	Wall Mount with Swivel Head for VHM Weatherproof Housings, RAL7032
79609 / VHM/KV1	Cable Connection Board with Thermostat for VHM/Z Housing
79491 / NE-112/AC24V	Power Supply Unit 230VAC/24VAC (600mA) for VHM Housing
79364 / NE-112	Power Supply Unit 230VAC/12VDC (600mA) for VHM Housing, Regulated
79423 / NE-112/2	Power Supply Unit 230VAC/12VDC (600mA), Regulated, 24VAC (1000mA) f. VHM Housing
87404 / MCAB-1	Camera/PT Head Connecting Cable f. Video Power, RS-Control or Network, 1 Metre
71602 / VHM/H24WID	VHM Resistor Low Voltage Heater 24V/6W, interchangeable to 12V
70456 / AK-2	Camera Connection Box for Standard and Ethernet Cameras
70457 / AK-3	Camera Connection box, 230VAC Input 24VAC-100W, 12VDC-1A Output



Maße/Dimensions: mm

VIDEOR TECHNICAL E. Hartig GmbH
 Carl-Zeiss-Straße 8 · 63322 Rödermark · Germany
 Telefon +49 (0) 60 74/8 88-0 · Telefax +49 (0) 60 74/8 88-100
 info@videortechnical.com · www.videortechnical.com

