

# Video Security

Housings | eneo Medium Housings

## VHM/STLA

Weatherproof Housing (330mm) w. Heater  
Thermostat, Connection Brd, RAL7032, 230VAC

Art-No. 79405



## Features

### Camera Weatherprotection

Housing Body Length: 330mm

Fold-down Housing Body

4 Levels of Camera Height Adjustment

Insulated Camera Mounting

Integrated Connection Board

### Back Part Multi-pin Connection

3 Cable Entries

Screen Heater 230VAC Included

Viewing Screen with "Clear-Shield" Technology

Incorporated Carrier Handle

Housing Surface: RAL7032

## Specifications

Maximum installation length	330mm
Space for power supply	NE-112 (1 output): 85 mm NE-112/2 (2 outputs): 110 mm
Cable entries	3x M16x1.5mm
Window screen	Coated with "Clear Shield" Technology. With this technology the glass corrosion, caused by environmental pollution, is avoided and screen cleaning cycles will be extended. The coating is UV light resistant, colour neutral and it causes no F-stop loss.
Clear Shield	yes
Window heater	yes, 110 ~ 265VAC / approx. 9watts
Thermostat	On: +16°C, Off: +20°C
Sunshield	yes
Hidden cable management	yes
Integrated wall mount	no
Protection rating	IP66
Housing	outdoor housing, Aluminium with plastic covers (ABS)
Housing material	aluminium
Colour (housing)	RAL7032

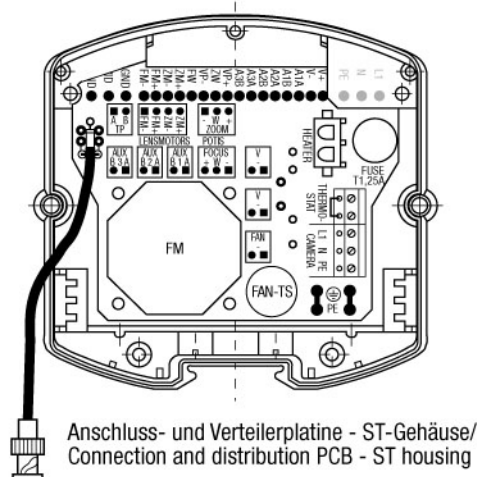
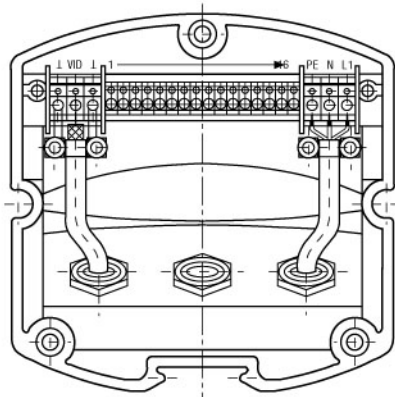
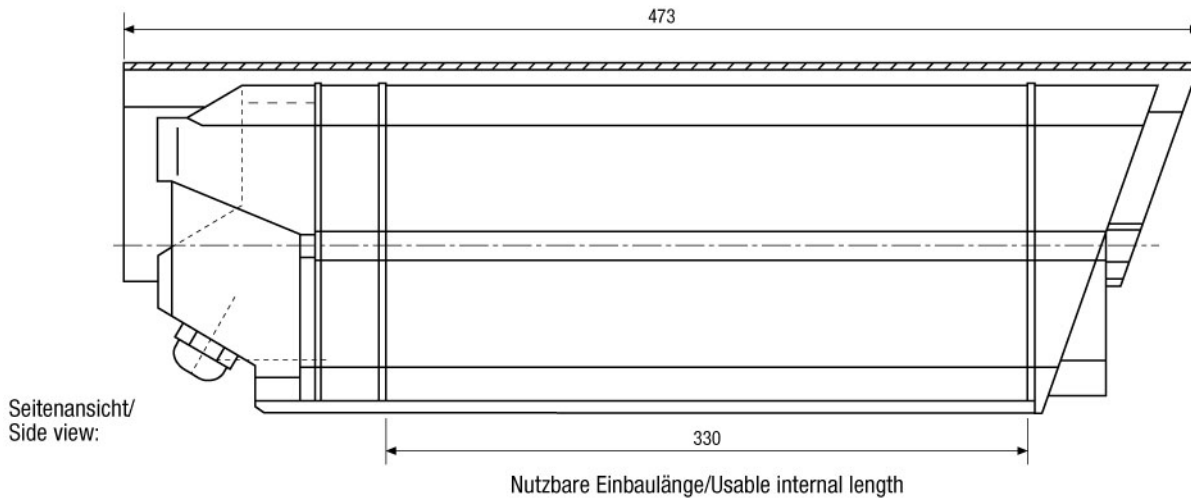
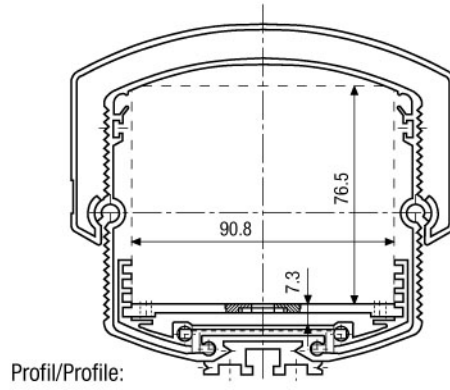
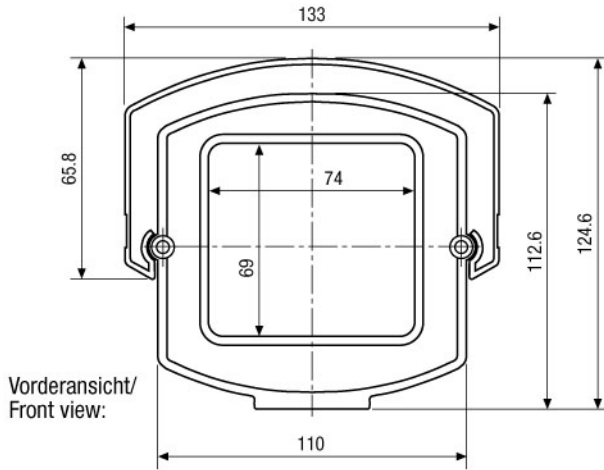
## VHM/STLA

(Specifications continued)

<b>Dimensions (HxWxD)</b>	See drawing
<b>Weight</b>	2.9kg
<b>Parts supplied</b>	Screw set, Thermostat switch, Screw terminal

## Accessories

<b>73064 / WD-16/MK</b>	Wall Mount with Swivel Head for VHM Weatherproof Housings, RAL7032
<b>71601 / VHM/H24</b>	VHM Window Heater 12-30V (PTC Element)
<b>79491 / NE-112/AC24V</b>	Power Supply Unit 230VAC/24VAC (600mA) for VHM Housing
<b>79364 / NE-112</b>	Power Supply Unit 230VAC/12VDC (600mA) for VHM Housing, Regulated
<b>79423 / NE-112/2</b>	Power Supply Unit 230VAC/12VDC (600mA), Regulated, 24VAC (1000mA) f. VHM Housing
<b>72501 / PTB-1</b>	Protocol Translator Board, 12VDC for Build-in VHM/ST Housing Series
<b>79623 / VHM/PC-1</b>	Plug-in shield for VHM/EC&ST Housing Series, 330mm
<b>70457 / AK-3</b>	Camera Connection box, 230VAC Input 24VAC-100W, 12VDC-1A Output



Maße/Dimensions: mm

VIDEOR TECHNICAL E. Hartig GmbH  
 Carl-Zeiss-Straße 8 · 63322 Rödermark · Germany  
 Telefon +49 (0) 60 74/8 88-0 · Telefax +49 (0) 60 74/8 88-100  
 info@videortechnical.com · www.videortechnical.com