

# VHM/ECLKB-210-W

Home | Security | Housings | for Boxed Cameras

VHM/ECLKB-210-W  
Weatherproof Housing (210mm), Heater, CBD,  
RAL9016/7035, 24VAC

**Art-Nr. 79677**



## Main Features

Camera weather protection	3 cable entries M16x1.5mm
Housing body length: 210mm	PTC window heater 12-30V included
Fold-down housing body	Window glass with "Clear-Shield" technology
4 levels of camera height adjustment	Incorporated carrier handle
Insulated camera mounting	Protection Rating: IP66
Integrated connection board	Housing colour: RAL9016/RAL7035

## Specifications

Series	eneo VHM
Maximum installation length	210
Cable entries	3x M16x1.5mm
Window screen	Coated with "Clear Shield" Technology. With this technology the glass corrosion, caused by environmental pollution, is avoided and screen cleaning cycles will be extended. The coating is UV light resistant, colour neutral and it causes no F-stop loss.
Clear Shield	yes
Window heater	yes, 12~30V/9watts (PTC)
Thermostat	On: +16°C, Off: +20°C
Blower	no
Wiper	no
Supply voltage	12~30VAC/DC
Sunshield	yes

## VHM/ECLKB-210-W

(Continuation Spezifications)

<b>Hidden cable management</b>	no
<b>Integrated wall mount</b>	no
<b>Protection rating</b>	IP66
<b>Housing</b>	outdoor
<b>Housing material</b>	aluminium
<b>Housing</b>	Aluminium with plastic covers (ABS)
<b>Colour (housing)</b>	RAL9016, RAL7035
<b>Dimensions (HxWxD)</b>	see drawing
<b>Weight</b>	2.2kg
<b>Parts supplied</b>	Screw set, Thermostat switch, Screw terminal

### Optional accessories

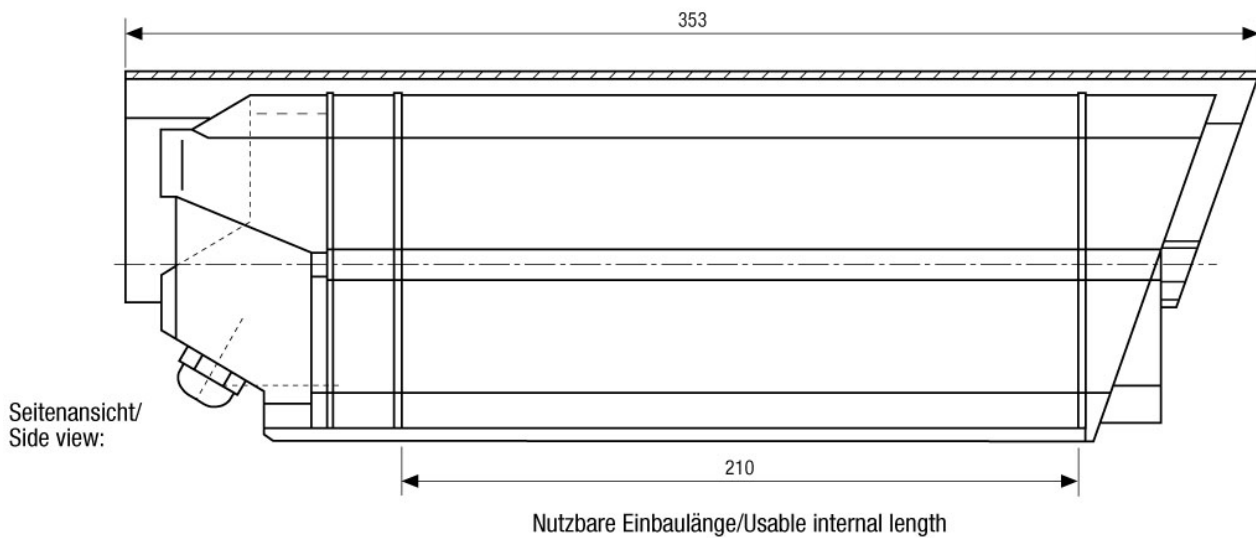
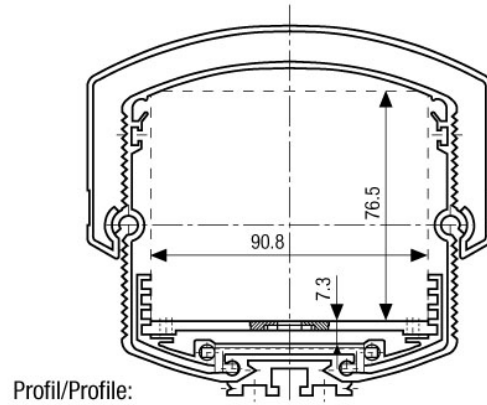
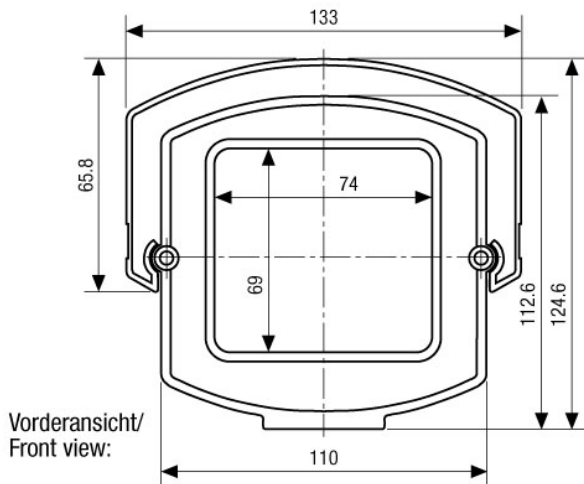
73177	WD-16/MK-W	Wall Mount with Swivel Head for VHM Weatherproof Housings, RAL9016
-------	------------	--

# VHM/ECLKB-210-W

Home | Security | Housings | for Boxed Cameras

## Technical drawing

79416



Maße/Dimensions: mm