



## VHM/ECLKA-W

Article-No.: 79674

Weatherproof Housing (330mm)  
w. Heater, Thermostat, CBD,  
RAL9016/7035, 230VAC

### Mainfeatures

Camera weather protection  
Fold-down housing body  
Insulated camera mounting  
3 cable entries M16x1.5mm  
Window glass with "Clear-Shield" technology  
Protection rating: IP66

Housing body length: 330mm  
4 levels of camera height adjustment  
Integrated connection board  
PTC window heater 100-265V included  
Incorporated carrier handle  
Housing colour: RAL9016/RAL7035



### Specifications

Series	eneo VHM
Maximum installation length	330
Space for power supply	NE-112 (1 output): 85mm; NE-112/2 (2 outputs): 110mm
Cable entries	3x M16x1.5mm
Window screen	coated with "Clear Shield" technology, with this technology the glass corrosion, caused by environmental pollution, is avoided and screen cleaning cycles will be extended; the coating is UV light resistant, colour neutral and it causes no F-stop loss
Clear Shield	yes
Window heater	yes
Window heater	110~265VAC/9watts (PTC)
Thermostat	On: +16°C, Off: +20°C
Blower	no
Wiper	no
Supply voltage	100~240VAC
Sunshield	yes

## Specifications (continued)

Hidden cable management	optional
Integrated wall mount	no
Protection rating	IP66
Housing	outdoor
Housing material	aluminium
Housing	aluminium with plastic covers (ABS)
Colour (housing)	RAL9016, RAL7035
Temperature range	-30 to +60°C
Dimensions (HxWxD)	see drawing
Weight	2.8kg
Parts supplied	Screw set, Thermostat switch, Screw terminal

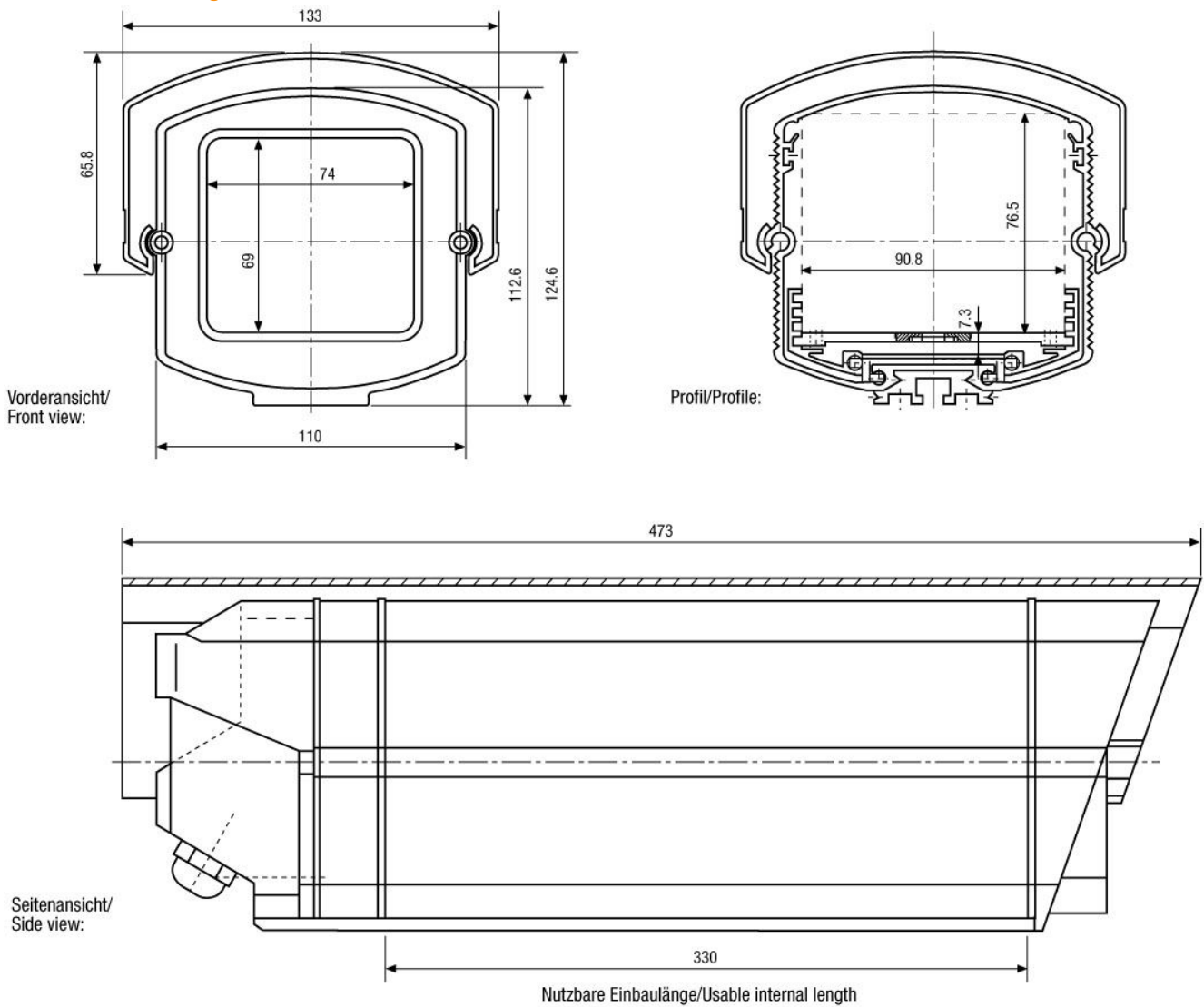
## Optional Accessories

Image	Artikel-Nr. / Typ	Description
	WD-16/MK-W	Wall Mount with Swivel Head for VHM Weatherproof Housings, RAL9016
	NE-112/AC24V	Power Supply Unit 230VAC/24VAC (600mA) for VHM Housing
	NE-112/2	Power Supply Unit 230VAC/12VDC (600mA), Regulated, 24VAC (1000mA) f. VHM Housing
	NE-112	Power Supply Unit 230VAC/12VDC (600mA) for VHM Housing, Regulated
	VHM/PC-1-LG	Plug-in shield for VHM/EC&ST Housing Series, 330mm, RAL7035

## Optional Accessories (continued)

Image	Artikel-Nr. / Typ	Description
	AK-3	Camera Connection box, 230VAC Input, 24VAC-3.2A, 12VDC-1A Outputs

## Technical Drawing



Maße/Dimensions: mm



Your partner for eneo products:

