



## VHM/ECLIP-W

Article-No.: 79722

Weatherproof Housing  
(330mm), Heater, Thermostat,  
Blower, RAL9016/7035, 12VDC

### Mainfeatures

Camera weather protection  
Fold-down housing body  
Insulated camera mounting  
3 cable entries M16x1.5mm  
Window glass with "Clear-Shield" technology  
Protection rating: IP66

Housing body length: 330mm  
4 levels of camera height adjustment  
Integrated connection board  
Heater, blower 12VDC, thermostat  
Incorporated carrier handle  
Housing colour: RAL9016/RAL7035




### Specifications

|                             |  |
|-----------------------------|--|
| Series                      | eneo VHM   |
| Maximum installation length | 330  |
| Cable entries               | 3x M16x1.5mm   |
| Window screen               | coated with "Clear Shield" technology, with this technology the glass corrosion, caused by environmental pollution, is avoided and screen cleaning cycles will be extended; the coating is UV light resistant, colour neutral and it causes no F-stop loss |
| Clear Shield                | yes  |
| Window heater               | yes  |
| Window heater               | 12V  |
| Thermostat                  | blower ON > 40°C, blower OFF < 38°C, heater ON < 16°C, heater OFF > 18°C   |
| Blower                      | yes  |
| Blower                      | 12VDC  |
| Wiper                       | no   |
| Sunshield                   | yes  |

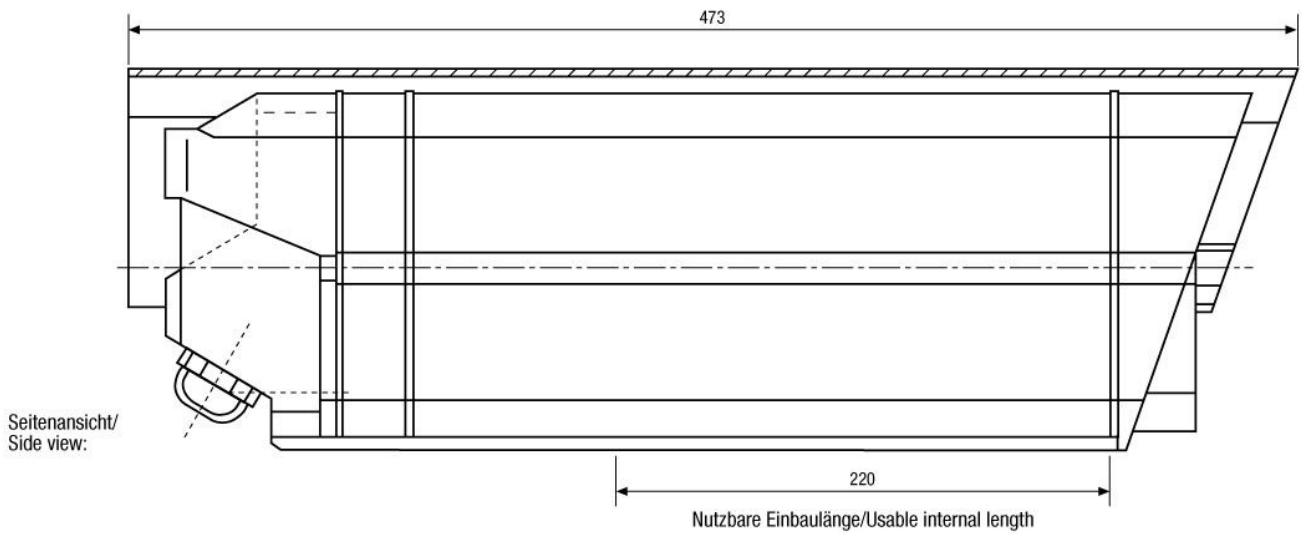
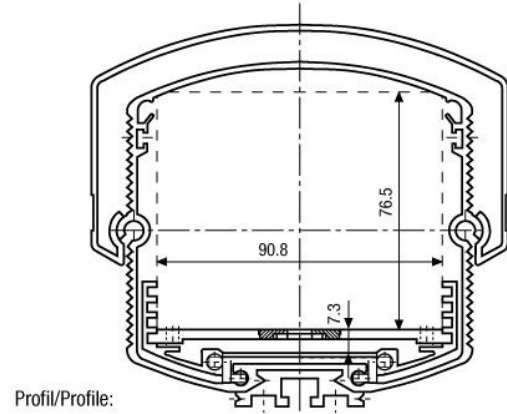
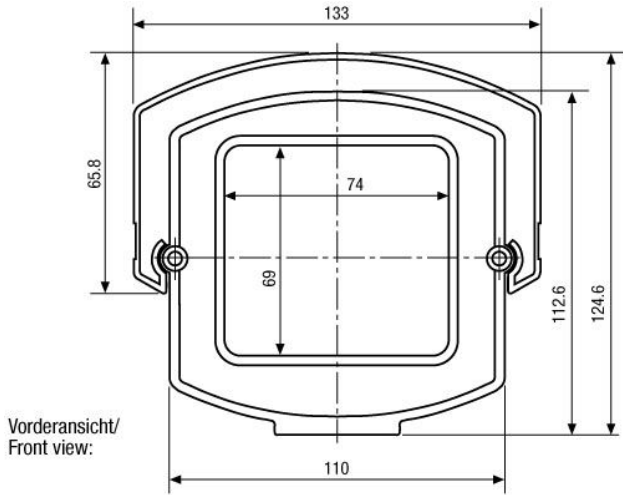
## Specifications (continued)

|                         |  |
|-------------------------|--|
| Hidden cable management | optional                                     |
| Integrated wall mount   | no   |
| Protection rating       | IP66   |
| Housing                 | outdoor                                      |
| Housing material        | aluminium, plastic                           |
| Colour (housing)        | RAL9016, RAL7035                             |
| Dimensions (HxWxD)      | see drawing                                  |
| Weight                  | 2.8kg  |
| Parts supplied          | screw set, thermostat switch, screw terminal |
| Certificates            | CE   |

## Optional Accessories

| Image   | Artikel-Nr. / Typ | Description  |
|---|-------------------|--|
|   | WD-16/MK-W        | Wall Mount with Swivel Head for VHM Weatherproof Housings, RAL9016 |
|  | VHM/PC-1-LG       | Plug-in shield for VHM/EC&ST Housing Series, 330mm, RAL7035        |
|  | NE-112/4          |  |
|   | POE21-120H        | PoE+ Splitter, 12V/12W, 1GB/s, PoE on Output (IEEE802.3af/10W)     |

## Technical Drawing



Maße/Dimensions: mm



Your partner for eneo products:

