



Weatherproof Housings (Medium)

FDP-No.: 79483

VHM/ECL-210

- Camera Weatherprotection
- Housing Body Length: 210mm
- Fold-down Housing Body
- 4 Levels of Camera Height Adjustment
- Insulated Camera Mounting
- 3 Cable Entries
- Incorporated Carrier Handle
- Housing Surface: RAL7032



Wall bracket is not included with the housing

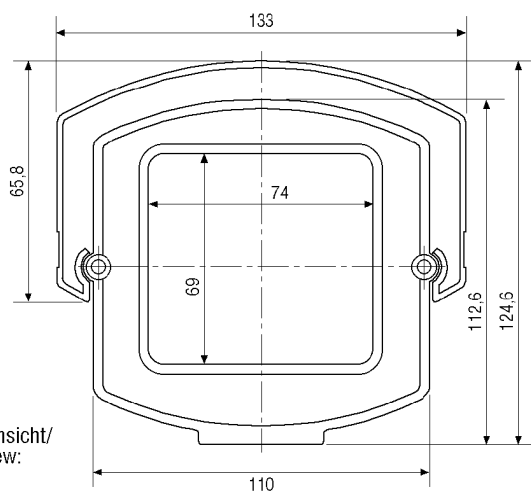
Specifications:

Maximum installation length	210 mm
Necessary space for PSU	NE-112 (1 output): 85 mm, NE-112/2 (2 outputs): 110 mm
Cable entries	3x PG9
Screen heater	12-30 VAC/DC
Sunshield	Yes
Protection rating	IP 66
Housing	Aluminium w. plastic end caps
Colour	RAL 7032
Dimensions (HxWxD)	See drawing
Weight	2.7 kg
Parts supplied	Screw set

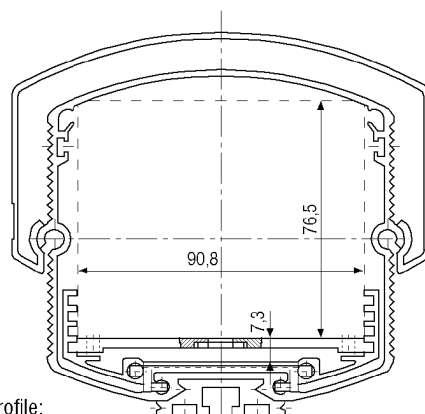
Accessories	
EDP No. / Type	Description
73082 WD-14/MKL	Wall bracket with swivel head, light grey finish (RAL 7032)

VHM/ECL-210

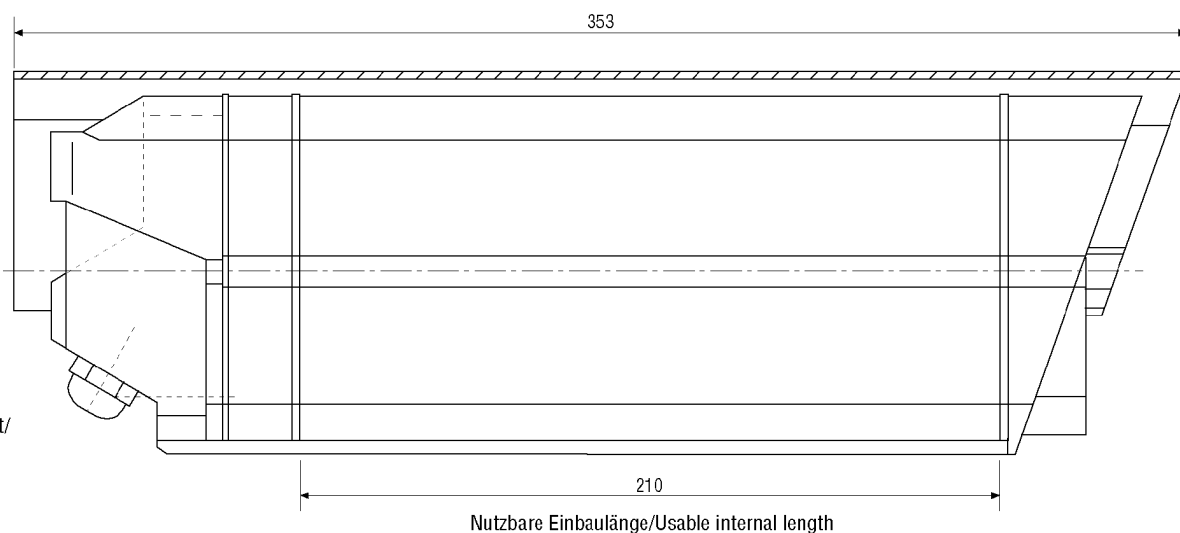
EDP No. / Type	Description
79792 WD-7/MK RAL7032	Wall bracket with swivel head, recommended for housings VHL and VHM, RAL 7032 finish
79382 VHM/KV	Screw terminal PCB for VHM housing series
79281 VHL-VHB-VHM/TH2	Thermostat switch for VHB/VHL/VHM housings, switching points: +16°C (On), +20°C (Off)
79364 NE-112	Power supply unit 12 VDC-600 mA stabilized output voltage, with fuse 1.25 A, suitable for VHM housing series
79418 VHM/WP-2	Screen wiper for VHM housing series, 24 VAC 50/60 z
70599 VZS-6	Plugable twisted-pair video signal transmitter, 1 coaxial input, 1 TP output, 12 VDC



Vorderansicht/
Front view:



Profil/Profile:



Seitenansicht/
Side view:

Maße/Dimensions: mm

e-mail: info@eneo-security.com • www.eneo-security.com