

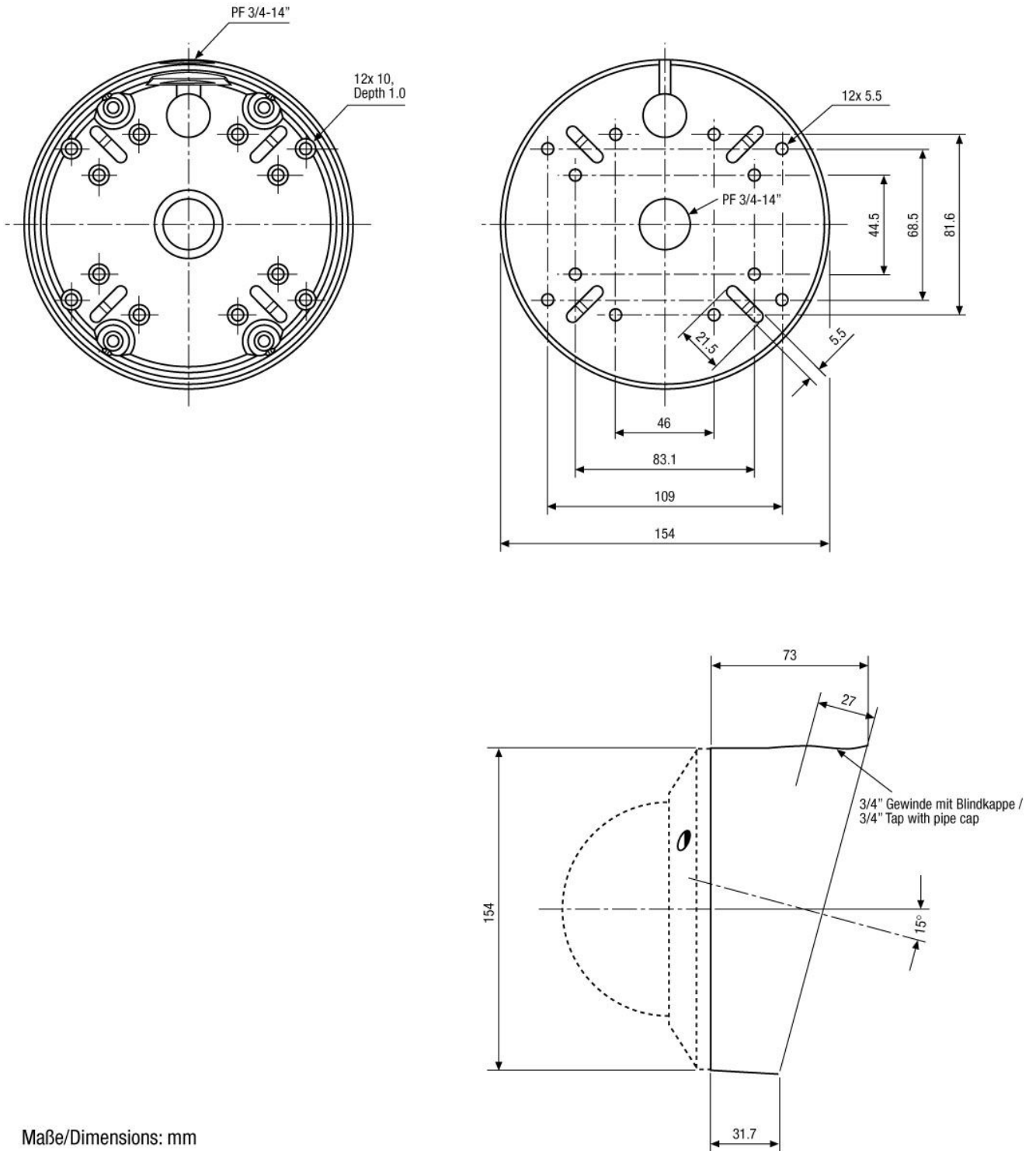


VDOMEWEDGE1

Article-No.: 92563

Wedge Mount Kit for
VKCD-1329/IR and VKCD-1331

Technical Drawing



Maße/Dimensions: mm



Your partner for eneo products:

