



PTB-1208F35

Article-No.: 204428

Thermal Imaging Network
Camera, 640x512, 8 Hz, USB,
Analogue, 35mm, 12/24V, PoE

Main features

Thermal camera with Ethernet and composite video out
35mm lens
Exclusive design for indoor and outdoor applications IP67
Bullet housing for ceiling and wall mounting
Easy installation, central locking screw

Resolution 640x512 pixels, 8 Hz
Easy handling, USB and RS-422 remote interface
Compression standards: H.264/MJPEG
Covered cabling
Flexible power supply 12VDC, 24VAC or PoE

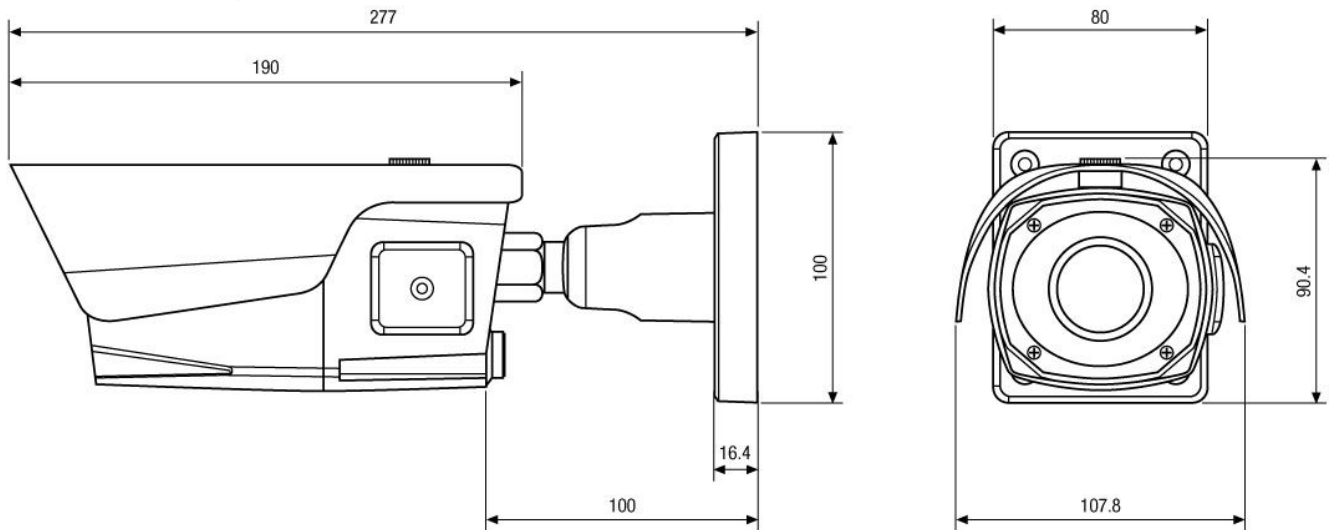
Specifications

Series	eneo Candid Medium
System	thermal image
Resolution pixels	640x512
Image transmission rate max.	8 fps
Spectral area	7,5 μm - 13,5 μm
Vertical angle of view	14°
Horizontal angle of view	18°
Thermal sensitivity	50 mK
Detection range	1280m
Serial interfaces	Man, 3850m, Vehicle
Video outputs	RS-422, USB, Ethernet
Compression standard	composite (CVBS)
Ethernet interface	H.264, M-JPEG
Network protocols	10Base-T/100-Base-TX, RJ-45
Multicast compliant	HTTP, TCP, UDP, ARP, IPv4, ICMP, RTP, RTSP, PPPoE, SMTP, DHCP, NTP, UPnP, Telnet, FTP
	yes

Specifications (continued)

Remote configuration	web browser, remote software
Web browser	MS Internet Explorer vers. 7.0 or higher, Mozilla Firefox (Java, Quick time), Safari (Java), Google Chrome (Java)
Stream types	H.264, MJPEG multiple
Alarm inputs	no
Alarm processing	FTP, E-Mail
Activity detection	yes
Privacy zones masking	ON/OFF switchable
Audio support	no
Internal storage	no
Lens type	fixed focal length
Focal length	35 mm
Housing	outdoor
Colour (housing)	Pantone 7541
Housing material	aluminium
Sunshield	yes
Mounting	wall mount, ceiling mount
Protection rating	IP67
Vandalism resistant	no
Integrated wall mount	yes
Hidden cable management	yes
Management Software Support	Zelaris
Menu languages	English
Supply voltage	12VDC, 24VAC, PoE (IEEE-802.3af)
Power over Ethernet	yes
Power consumption	12W
Temperature range (operation)	-35°C ~ +50°C
ONVIF	yes, ONVIF Test Tool Version 11.12 (Profile S)
Certificates	CE
Parts supplied	manual, Zelaris Elements Software, screw set, allen key, mounting plate, Video sub-out cable, USB connection cable
Weight	1.4 kg
SDK	upon request

Technical Drawing



Maße/Dimensions: mm

Your partner for eneo products:

