



## PTB-1125F19

Article-No.: 202976

Thermal Imaging Network  
Camera, 336x256, 25 Hz, USB,  
Analogue, 19mm, 12/24V, PoE

### Main features

Thermal camera with Ethernet and Composite Video out  
19mm lens  
Exclusive design for indoor and outdoor applications IP67  
Bullet housing for ceiling and wall mounting  
Easy installation, central locking screw

Resolution 336x256 Pixel, 25 Hz  
Easy handling, USB and RS-422 remote interface  
Compression standards: H.264/MJPEG  
Covered cabling  
Flexible power supply 12VDC, 24VAC or PoE

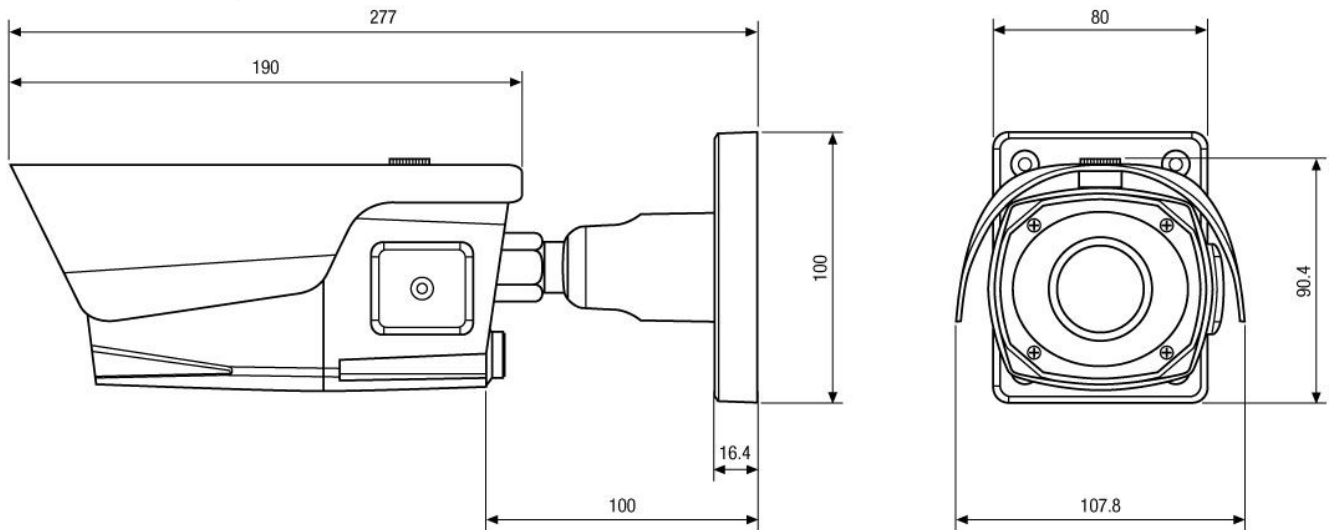
### Specifications

Series	eneo Candid Medium
System	thermal image
Resolution pixels	336x256
Image transmission rate max.	25 fps
Spectral area	7,5 $\mu$ m - 13,5 $\mu$ m
Vertical angle of view	13°
Horizontal angle of view	17°
Thermal sensitivity	50 mK
Detection range	640m
Serial interfaces	Man, 1950m, Vehicle
Video outputs	RS-422, USB, Ethernet
Compression standard	composite (CVBS)
Ethernet interface	H.264, M-JPEG
Network protocols	10Base-T/100-Base-TX, RJ-45
Multicast compliant	HTTP, TCP, UDP, ARP, IPv4, ICMP, RTP, RTSP, PPPoE, SMTP, DHCP, NTP, UPnP, Telnet, FTP
	yes

## Specifications (continued)

Remote configuration	web browser, remote software
Web browser	MS Internet Explorer vers. 7.0 or higher, Mozilla Firefox (Java, Quick time), Safari (Java), Google Chrome (Java)
Stream types	H.264, MJPEG multiple
Alarm inputs	no
Alarm processing	FTP, E-Mail
Activity detection	yes
Privacy zones masking	ON/OFF switchable
Audio support	no
Internal storage	no
Lens type	fixed focal length
Focal length	19 mm
Housing	outdoor
Colour (housing)	Pantone 7541
Housing material	aluminium
Sunshield	yes
Mounting	wall mount, ceiling mount
Protection rating	IP67
Vandalism resistant	no
Integrated wall mount	yes
Hidden cable management	yes
Management Software Support	Zelaris
Menu languages	English
Supply voltage	12VDC, 24VAC, PoE (IEEE-802.3af)
Power over Ethernet	yes
Power consumption	12W
Temperature range (operation)	-35°C ~ +50°C
ONVIF	yes, ONVIF Test Tool Version 11.12 (Profile S)
Certificates	CE
Parts supplied	manual, Zelaris Elements Software, screw set, allen key, mounting plate, Video sub-out cable, USB connection cable
Weight	1.4 kg
SDK	upon request

## Technical Drawing



Maße/Dimensions: mm

Your partner for eneo products:

