

NXC-1402M

Home | Security | IP Cameras | Megapixel

NXC-1402M

1/3" Network Camera, Colour, ONVIF, 1600x1200,

H.264, MJPEG, PoE, 12/24V

Art-Nr. 93163



ONVIF



Lens not included

Main Features

1/3" Progressive scan CMOS sensor

Resolution max.: 1600(H) x 1200(V)

ONVIF conformance

High and low speed shutter control (MES/ESC/DSS)

Video flip / Digital PTZ / Motion detection

ROI (Region of interest) for display, streaming

Simultaneous H.264 and MJPEG video streaming

Supports up to 25ips. (at 1600x1200/H.264)

Two-way audio streaming

Alarm in/outputs and RS-485 interface

API/SDK support

16 channel video client software

Specifications

Series	eneo NX
System	Colour
Video standard	CCIR/PAL
Sensor size	1/3"
Imager	CMOS, Progressive scan
Sensitivity (at 50% video signal)	1,3 Lux, at F1.2
Automatic gain control (AGC)	ON/OFF switchable
Manual electronic shutter (MES)	1/2sec. ~1/1000sec.
Digital Noise Reduction (DNR)	no
Low Speed Shutter	yes
White balance	AWB, Indoor / Outdoor switchable
Wide Dynamic Range (WDR)	no
Backlight compensation	no

NXC-1402M

(Continuation Specifications)

Flickerless function	yes
IR cut filter	standard
Mirror function	horizontal, vertical
Privacy zones masking	no
Activity detection	yes
Motion detector	8 zones / H.264 Stream
Text display	supplied
Menu languages	English, Russian
OSD function control	H/V flip (mirror picture), freeze, shutter control, brightness, sharpness, , exposure, white balance, motion detection, text, digital cropping
External adjustments	Flange focus
External connections	Video (BNC), Audio, Network (RJ-45), Alarm Input/Output, Factory re-set (button), DC iris (4 pin), Power Input, RS-485
Video outputs	composite (CVBS), 1Vp-p (C)VBS, 75ohms, BNC
Audio support	yes
Audio	1/1 Line input and output (Input selectable with microphone pre-amplifier)
Alarm inputs	yes, 2x TTL
Alarm outputs	1
Alarm handling	File upload via FTP. Notification via email, HTTP and TCP. External output activation
Internal storage	no
Compression standard	H.264, MJPEG
Resolution max.	1600 x 1200
Resolution	1600x1200, 1280x1024, 1152x866, 1280x720, 720x576, 720x480, 640x480, 320x240
Image transm. rate max.	25 B./Sek.
Frame rate	12.5 Fps. max. at 1600x1200 Px.
Stream types	H.264, MJPEG multiple
Image display	Via Web Browser or Viewer Software
Ethernet interface	10Base-T, 100Base-TX
Network protocols	IPv4, SMTP, DDNS, HTTP, HTTPS, FTP, DHCP, DSCP, UPnP, RTSP, RTP, TCP, UDP, NTP
Remote configuration	16-ch. remote client S/W (Live, Recording, Playback, Archiving, e-Map, Event search)
Configuration	via Smart Setup Software
Lens mount	CS mount
Digital Zoom	2x ~10x
Iris control	manual, DC
Pre-alarm recording	up to 30sec.
Post-alarm recording	Up to 30sec.

NXC-1402M

(Continuation Specifications)

Search function	Alarm/Event/Time searching
Serial interfaces	RS-485, Protocols: eneo Fastrax IIE and Pelco D&P
Access	10 Users simultaneous support
Software update	via Remote Software
Password protection	yes
Management Software Support	NT-Manager
PTZ Support	yes
Camera mount	1/4" - 20 UNC thread on top and bottom
Power consumption	8watts
Temperature range (Operation)	-10°C ~+50°C
Colour	Pantone Cool Gray 1C
ONVIF	version 1.01
Supply voltage	12VDC, 24VAC, PoE
Power over Ethernet	yes
Protection rating	n/a
Certificates	CE
Parts supplied	Viewer software with recording capability, configuration and client CD-R, 4-pin lens plug, C/CS mount ring
Weight	380g
Dimensions (HxWxD)	see drawing

Optional accessories

70536	VT-PS12DC-9	Plug-in Power Supply Unit 100-240VAC 12VDC (1.0Amp), Regulated, w. open Ends
77773	VT-PS12DCDT1	PSU 12VDC/1.0A, Regulated, Desktop Version, 1.8m Cables each w. open ends
93156	NT-MANAGER	Remote Administration Interface Software for eneo NW Series NT, NX, NL
43262	F03Z2.710NDDCMP	F1.0/3-8mm Megapixel DC Lens with variable Focal Length, 1/3"CS Mount
79705	VTL-300/WW-POEB	Weatherproof Housing, 300mm, Wall Bracket, Heater, Fan, 12V, RJ-45, PoE
70771	WD-23	Wall Mount Bracket with Ball Joint, 1/4" Camera Fixing Screw, Pantone 877
70527	NE-132/AC24V	Power Supply Unit 230VAC/24VAC (1.0A)
70495	VT-PS12DC-7	Plugable PSU w. Cont. & UK Mains plug-in 100-240VAC/12VDC-1.25A, Regulated
70769	WD-22	Wall Mount Bracket with Ball Joint, 1/4" Camera Fixing Screw, Beige Grey
43264	F05Z10NDDC-MP	F1.4/5-50mm Megapixel DC Lens with variable Focal Length, 1/3"CS Mount

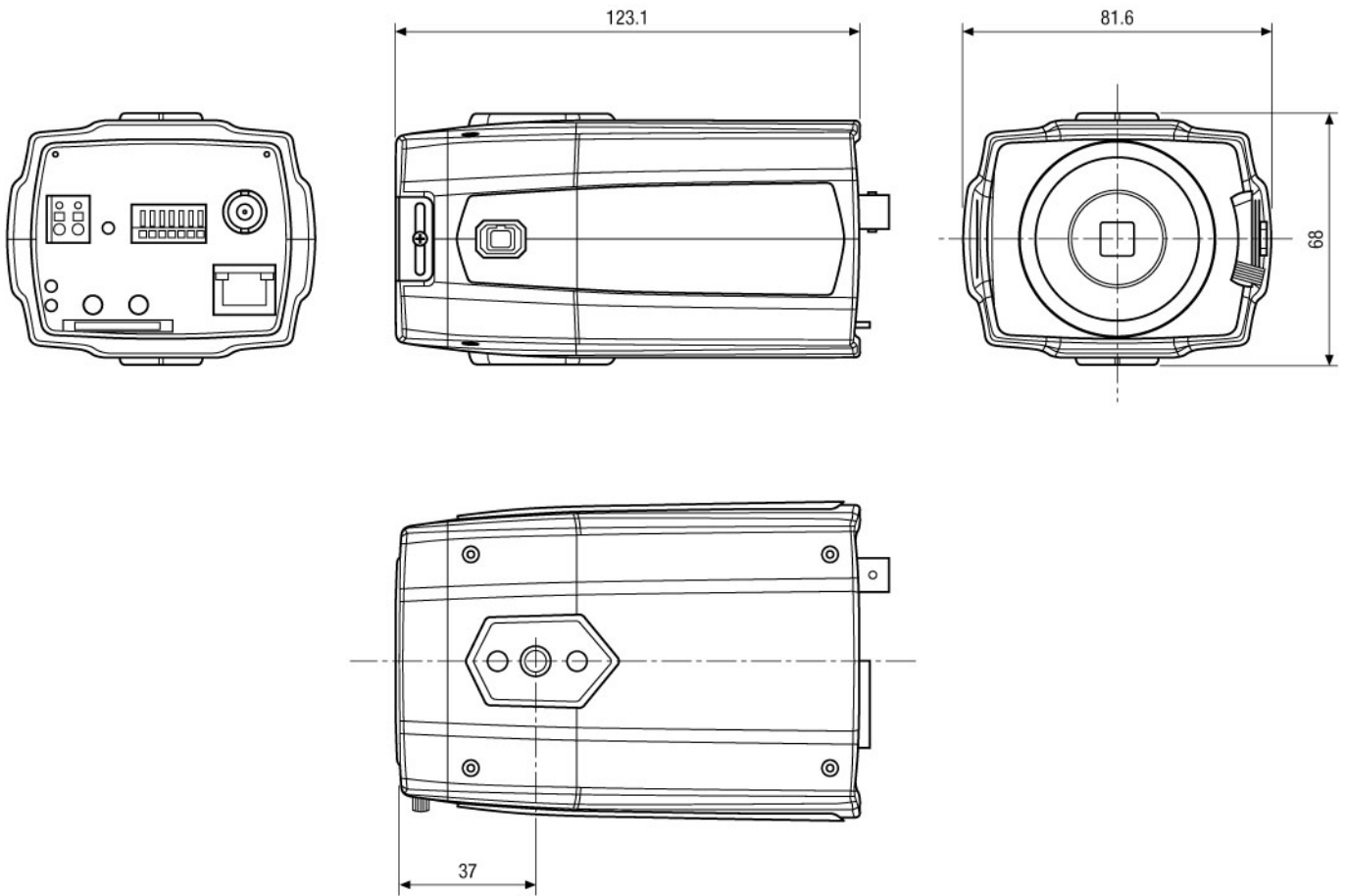
NXC-1402M

93159	NT-SMARTMANAGER	Utility S/W Tool for eneo Network Series NT, NX, NL
43266	A09Z10DC-NFS-MP	F1.8/9-90mm DC Varifocal Lens, NFS, Megapixel Resolution, 1/2", C Mount
70836	WD-13-WA	Ceiling Mount with Ball Joint, 1/4" Camera Fixing Screw, RAL9006
43273	A09Z10-NFS-MP	F1.8/9-90mm Varifocal Lens, 1/2", NFS, Megapixel Resolution, 1/2", C Mount
43258	F02Z02M-MP	F1.2/2.4-6mm Megapixel Lens with variable Focal Length, 1/3" CS Mount

NXC-1402M

Home | Security | IP Cameras | Megapixel

Technical drawing



Maße/Dimensions: mm