

# NXC-1401M

Home | Security | IP Cameras | Megapixel

NXC-1401M

1/3" Network Camera, Colour, ONVIF, 1280x720,

H.264, MJPEG, PoE, 12/24V

Art-Nr. 93162



Lens not included

## Main Features

|  |  |
|--|--|
| 1/3" Progressive scan CMOS sensor                | Simultaneous H.264 and MJPEG video streaming |
| Resolution max.: 1280(H) x 720(V)                | Supports up to 25ips. (at 1280x720/H.264)    |
| ONVIF conformance                                | Two-way audio streaming                      |
| High and low speed shutter control (MES/ESC/DSS) | Alarm in/outputs and RS-485 interface        |
| Video flip / Digital PTZ / Motion detection      | API/SDK support                              |
| ROI (Region of interest) for display, streaming  | 16 channel video client software             |

## Specifications

|                                   |                                  |
|-----------------------------------|----------------------------------|
| Series                            | eneo NX                          |
| System                            | Colour                           |
| Video standard                    | CCIR/PAL                         |
| Sensor size                       | 1/3"                             |
| Imager                            | CMOS, Progressive scan           |
| Sensitivity (at 50% video signal) | 1,3 Lux, at F1.2                 |
| Automatic gain control (AGC)      | ON/OFF switchable                |
| Manual electronic shutter (MES)   | 1/2sec. ~1/1000sec.              |
| Digital Noise Reduction (DNR)     | no                               |
| Low Speed Shutter                 | yes                              |
| White balance                     | AWB, Indoor / Outdoor switchable |
| Wide Dynamic Range (WDR)          | no                               |
| Backlight compensation            | no                               |

# NXC-1401M

(Continuation Specifications)

|                                |   |
|--------------------------------|---|
| <b>Flickerless function</b>    | yes   |
| <b>IR cut filter</b>           | standard  |
| <b>Mirror function</b>         | horizontal, vertical  |
| <b>Privacy zones masking</b>   | no  |
| <b>Activity detection</b>      | yes   |
| <b>Motion detector</b>         | 8 zones / H.264 Stream  |
| <b>Text display</b>            | supplied  |
| <b>Menu languages</b>          | English, German, French, Spanish, Italian, Russian  |
| <b>OSD function control</b>    | H/V flip (Mirror picture), Positive/Negative, Freeze, Shutter control, Sharpness & Brightness correction, Exposure, White balance, Motion detection, Digital Cropping |
| <b>External adjustments</b>    | Flange focus  |
| <b>External connections</b>    | Video (BNC), Audio, Network (RJ-45), Alarm Input/Output, Factory reset (button), DC iris (4 pin), Power Input, RS-485   |
| <b>Video outputs</b>           | composite (CVBS), BNC   |
| <b>Audio support</b>           | yes   |
| <b>Audio</b>                   | 1/1 Line input and output (Input selectable with microphone pre-amplifier)  |
| <b>Alarm inputs</b>            | yes, 2x TTL   |
| <b>Alarm outputs</b>           | 1   |
| <b>Alarm handling</b>          | File upload via FTP. Notification via email, HTTP and TCP. External output activation   |
| <b>Internal storage</b>        | no  |
| <b>Compression standard</b>    | H.264, MJPEG  |
| <b>Resolution max.</b>         | 1280 x 720  |
| <b>Resolution</b>              | 1280x720, 720x576, 720x480, 640x480, 320x240  |
| <b>Image transm. rate max.</b> | 25 B./Sek.  |
| <b>Frame rate</b>              | 25 Fps. max. at 1280x720 Px.  |
| <b>Stream types</b>            | H.264, MJPEG multiple   |
| <b>Image display</b>           | Via Web Browser or Viewer Software  |
| <b>Ethernet interface</b>      | 10Base-T, 100Base-TX  |
| <b>Network protocols</b>       | IPv4, SMTP, DDNS, HTTP, HTTPS, FTP, DHCP, DSCP, UPnP, RTSP, RTP, TCP, UDP, NTP  |
| <b>Remote configuration</b>    | 16-ch. remote client S/W (Live, Recording, Playback, Archiving, e-Map, Event search)  |
| <b>Configuration</b>           | via Smart Setup Software  |
| <b>Lens mount</b>              | CS mount  |
| <b>Digital Zoom</b>            | 2x ~10x   |
| <b>Iris control</b>            | manual, DC  |
| <b>Pre-alarm recording</b>     | up to 30sec.  |
| <b>Post-alarm recording</b>    | Up to 30sec.  |

# NXC-1401M

(Continuation Specifications)

|                                      |  |
|--------------------------------------|--|
| <b>Search function</b>               | Alarm/Event/Time searching   |
| <b>Serial interfaces</b>             | RS-485, Protocols: eneo Fastrax IIE and Pelco D&P  |
| <b>Access</b>                        | 10 Users simultaneous support  |
| <b>Software update</b>               | via Remote Software  |
| <b>Password protection</b>           | yes  |
| <b>Management Software Support</b>   | NT-Manager   |
| <b>PTZ Support</b>                   | yes  |
| <b>Camera mount</b>                  | 1/4" - 20 UNC thread on top and bottom   |
| <b>Power consumption</b>             | 3.2W   |
| <b>Temperature range (Operation)</b> | -10°C ~+50°C   |
| <b>Colour</b>                        | Pantone Cool Gray 1C   |
| <b>ONVIF</b>                         | version 1.01   |
| <b>Supply voltage</b>                | 12VDC, 24VAC, PoE  |
| <b>Power over Ethernet</b>           | yes  |
| <b>Protection rating</b>             | n/a  |
| <b>Certificates</b>                  | CE   |
| <b>Parts supplied</b>                | Viewer software with recording capability, configuration and client CD-R, 4-pin lens plug, C/CS mount ring |
| <b>Weight</b>                        | 380g   |
| <b>Dimensions (HxWxD)</b>            | see drawing  |

## Optional accessories

|              |                        |  |
|--------------|------------------------|--|
| <b>45251</b> | <b>YV10X5HR4A-SA2L</b> | F1,6/5-50mm Megapixel DC Lens, 1/3", Varifocal, No Focus Shift, CS Mount     |
| <b>70536</b> | <b>VT-PS12DC-9</b>     | Plug-in Power Supply Unit 100-240VAC 12VDC (1.0Amp), Regulated, w. open Ends |
| <b>77773</b> | <b>VT-PS12DCDT1</b>    | PSU 12VDC/1.0A, Regulated, Desktop Version, 1.8m Cables each w. open ends    |
| <b>93156</b> | <b>NT-MANAGER</b>      | Remote Administration Interface Software for eneo NW Series NT, NX, NL       |
| <b>43262</b> | <b>F03Z2.710NDDCMP</b> | F1.0/3-8mm Megapixel DC Lens with variable Focal Length, 1/3" CS Mount       |
| <b>79705</b> | <b>VTL-300/WW-POEB</b> | Weatherproof Housing, 300mm, Wall Bracket, Heater, Fan, 12V, RJ-45, PoE      |
| <b>70771</b> | <b>WD-23</b>           | Wall Mount Bracket with Ball Joint, 1/4" Camera Fixing Screw, Pantone 877    |
| <b>45256</b> | <b>YV4.3X2.8SA-SA2</b> | F1.4/2.8-12mm DC Megapixel Lens with variable Focal Length, 1/3" CS Mount    |
| <b>70527</b> | <b>NE-132/AC24V</b>    | Power Supply Unit 230VAC/24VAC (1.0A)  |
| <b>70495</b> | <b>VT-PS12DC-7</b>     | Plugable PSU w. Cont. & UK Mains plug-in 100-240VAC/12VDC-1.25A, Regulated   |

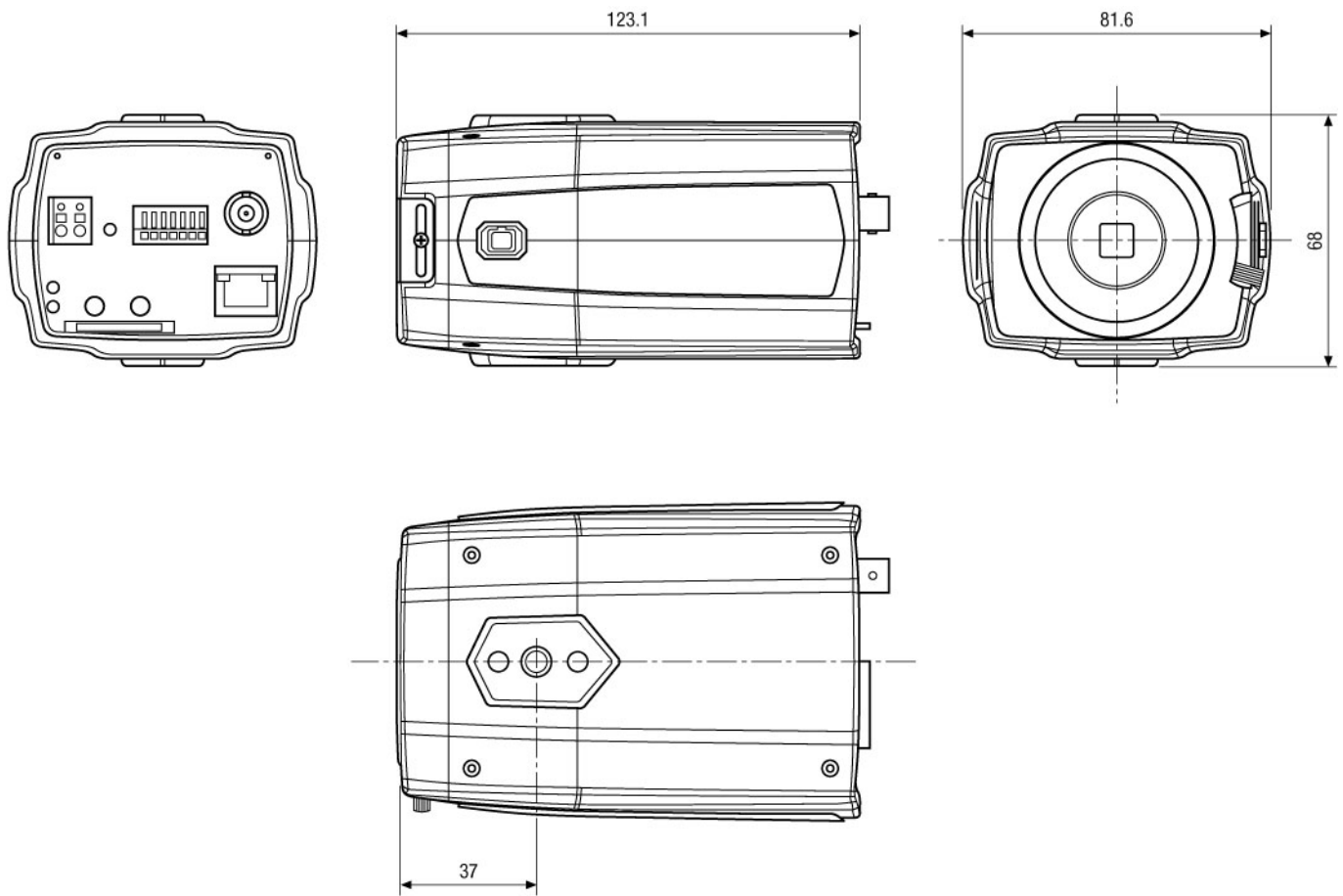
## NXC-1401M

|       |                 |  |
|-------|-----------------|--|
| 70769 | WD-22           | Wall Mount Bracket with Ball Joint, 1/4" Camera Fixing Screw, Beige Grey   |
| 43264 | F05Z10NDDC-MP   | F1.4/5-50mm Megapixel DC Lens with variable Focal Length, 1/3" CS Mount    |
| 93159 | NT-SMARTMANAGER | Utility S/W Tool for eneo Network Series NT, NX, NL                        |
| 43266 | A09Z10DC-NFS-MP | F1.8/9-90mm DC Varifocal Lens, NFS, Megapixel Resolution, 1/2", C Mount    |
| 43261 | F03Z2.710M-MP   | F1.0/3-8mm Megapixel Lens with variable Focal Length, 1/3" CS Mount        |
| 70836 | WD-13-WA        | Ceiling Mount with Ball Joint, 1/4" Camera Fixing Screw, RAL9006           |
| 43273 | A09Z10-NFS-MP   | F1.8/9-90mm Varifocal Lens, 1/2", NFS, Megapixel Resolution, 1/2", C Mount |
| 43258 | F02Z02M-MP      | F1.2/2.4-6mm Megapixel Lens with variable Focal Length, 1/3" CS Mount      |

# NXC-1401M

Home | Security | IP Cameras | Megapixel

## Technical drawing



Maße/Dimensions: mm